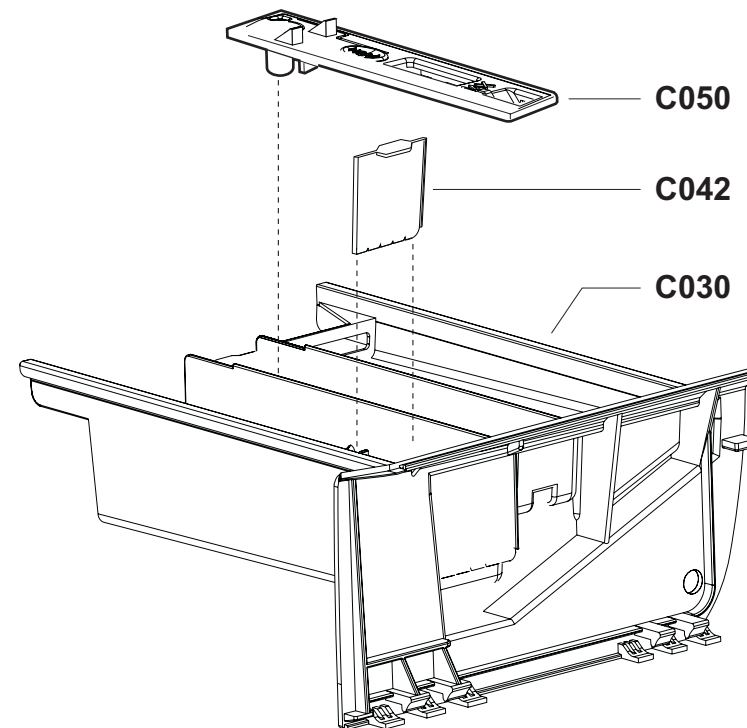
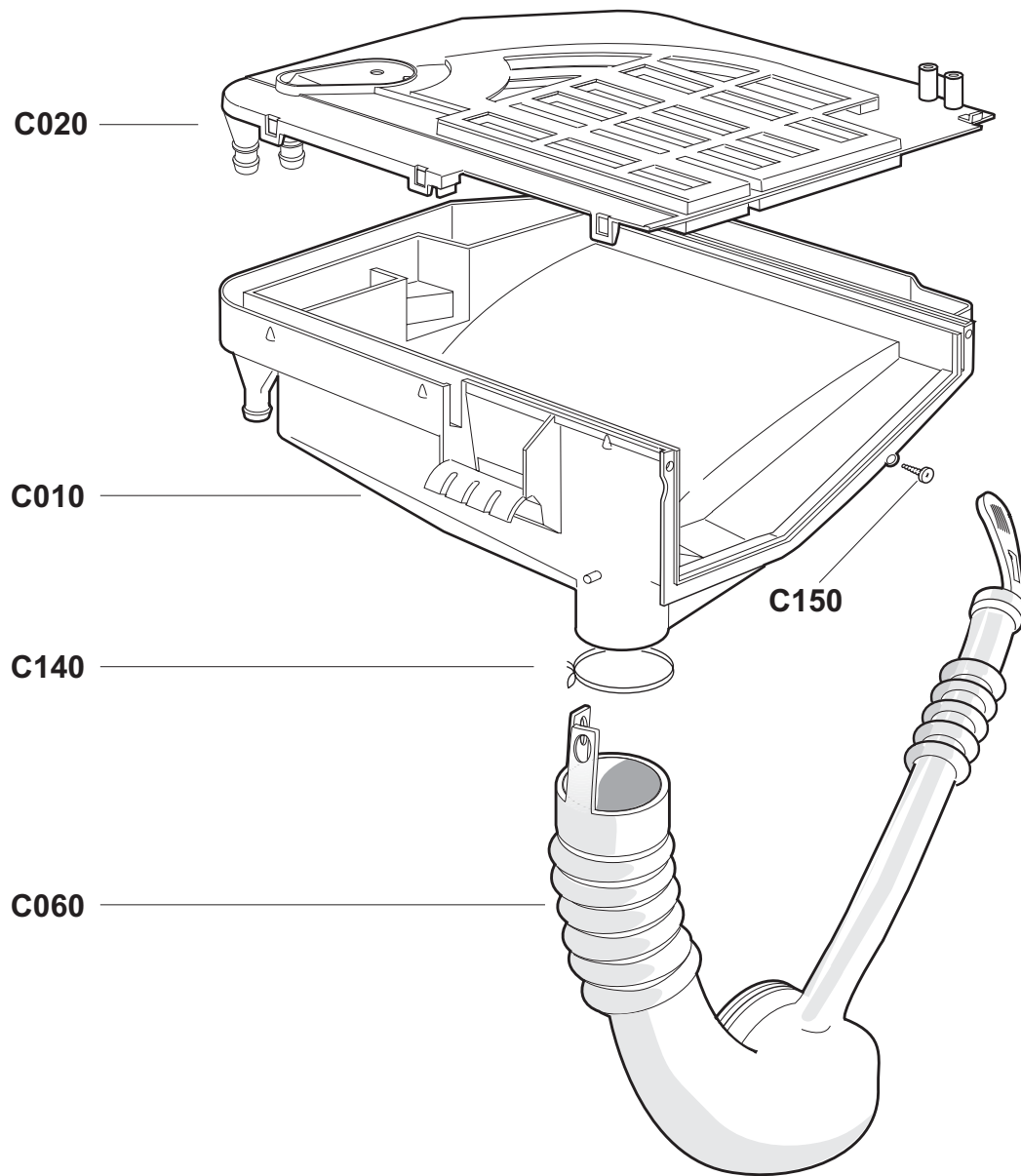


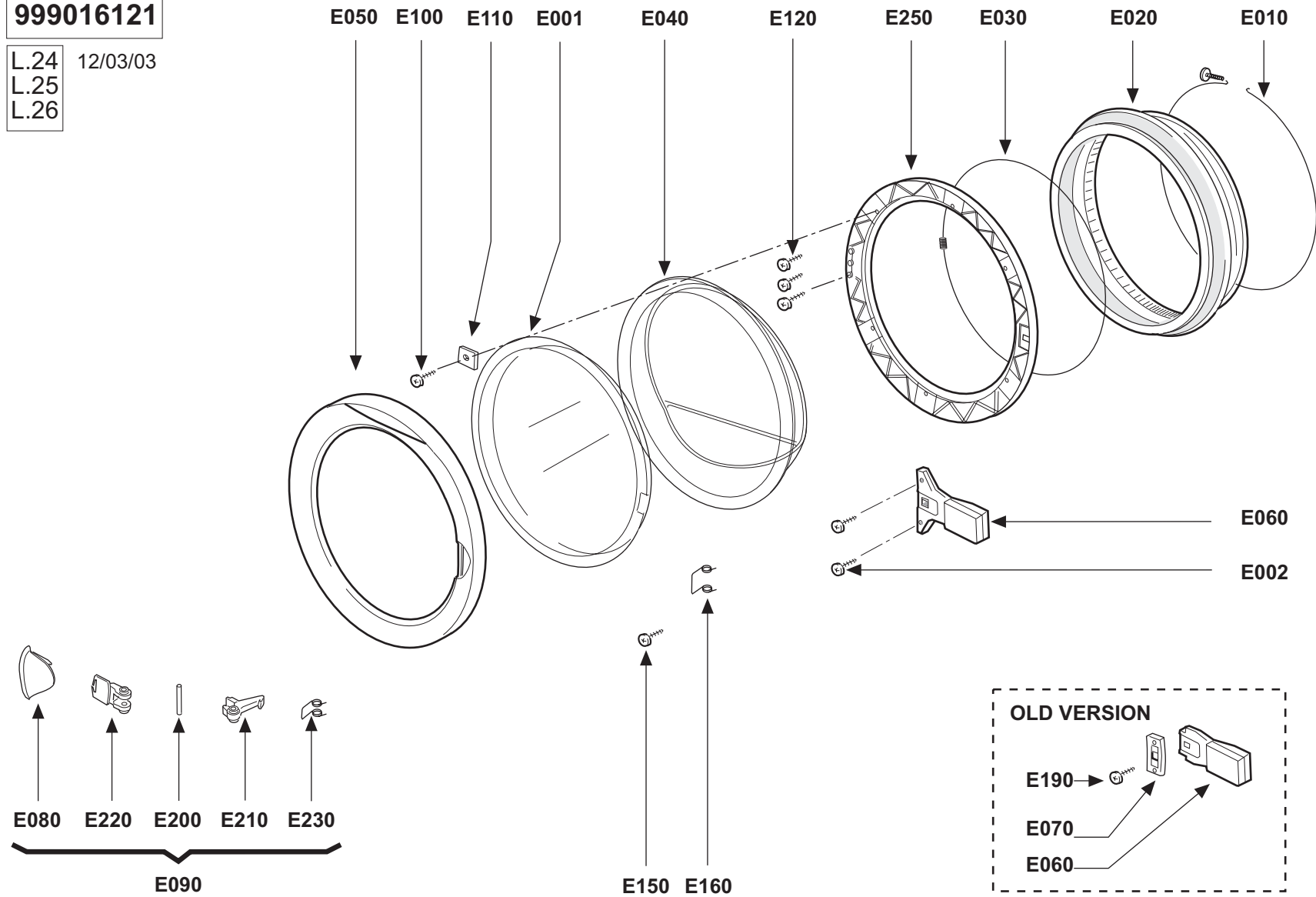
**999045208**

CFE with 2 Water Valve  
Control panel:  
CD-CE-CL-CM-CN-CR  
09/03/2007



**999016121**

L.24 12/03/03  
L.25  
L.26



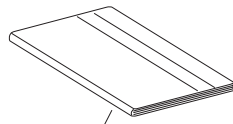
**999016228**

**SHRINK PACKING FREE-STANDING**

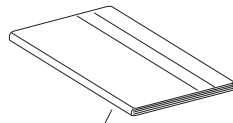
14/09/2006

Z290

Z310



**Z330**  
**INSTRUCTIONS**  
**FOR USE**

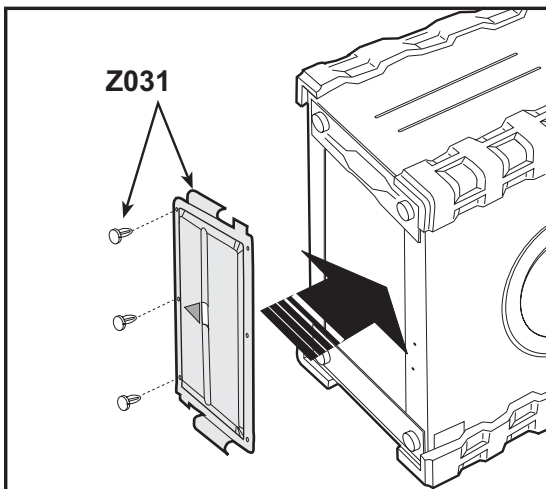


**Z025**  
**TECHNICAL DATAS**  
**BOOKLET**

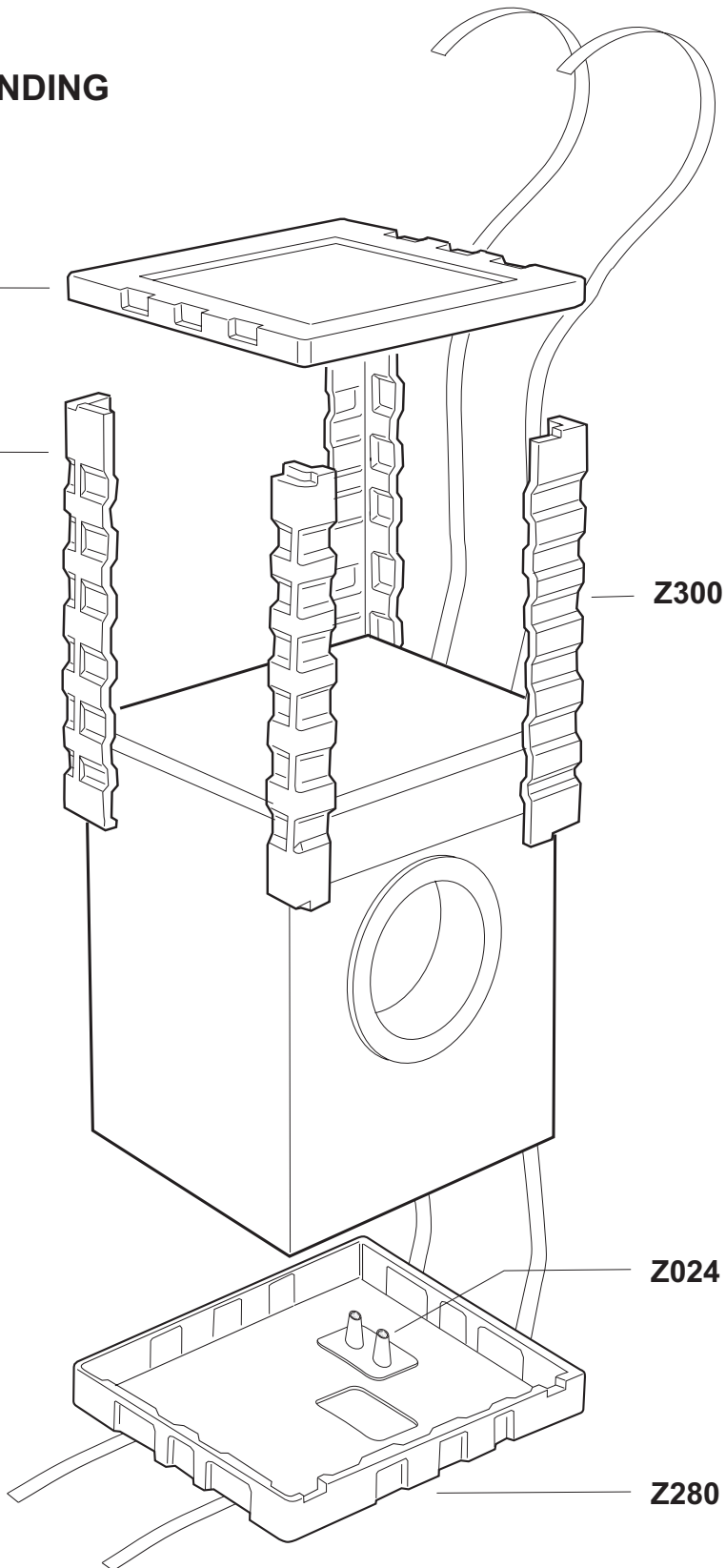
Z300

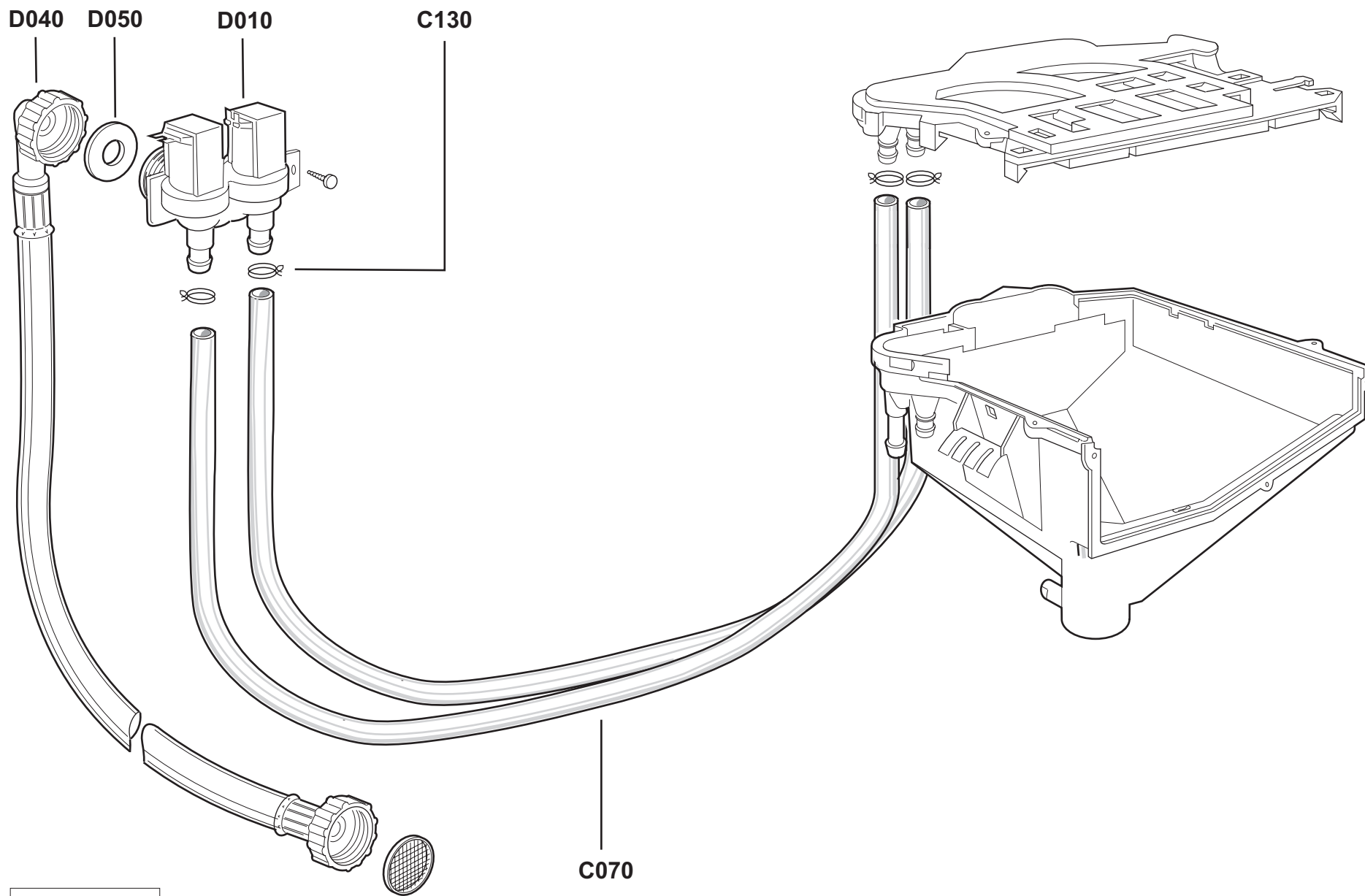
Z024

Z280



**Used only for Washing Machines**  
**33 and 39 cm depth**



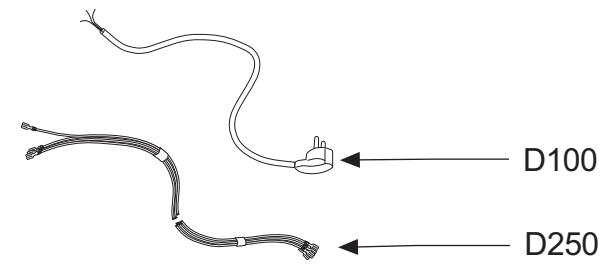
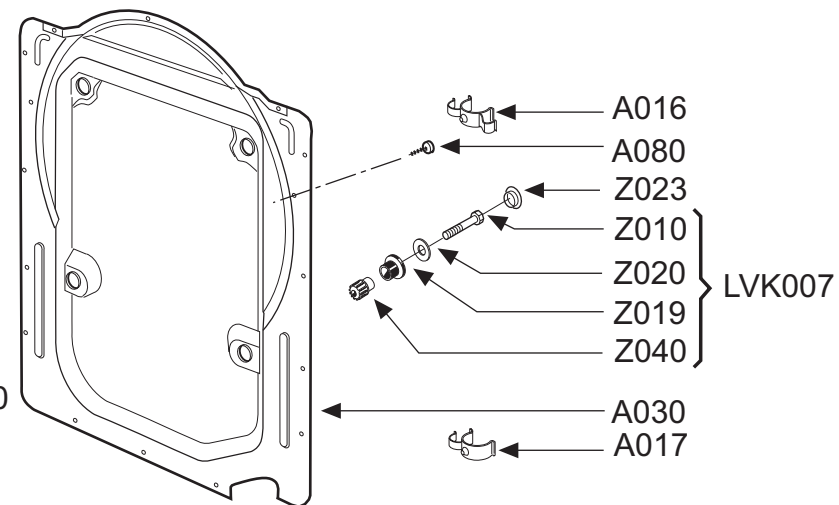
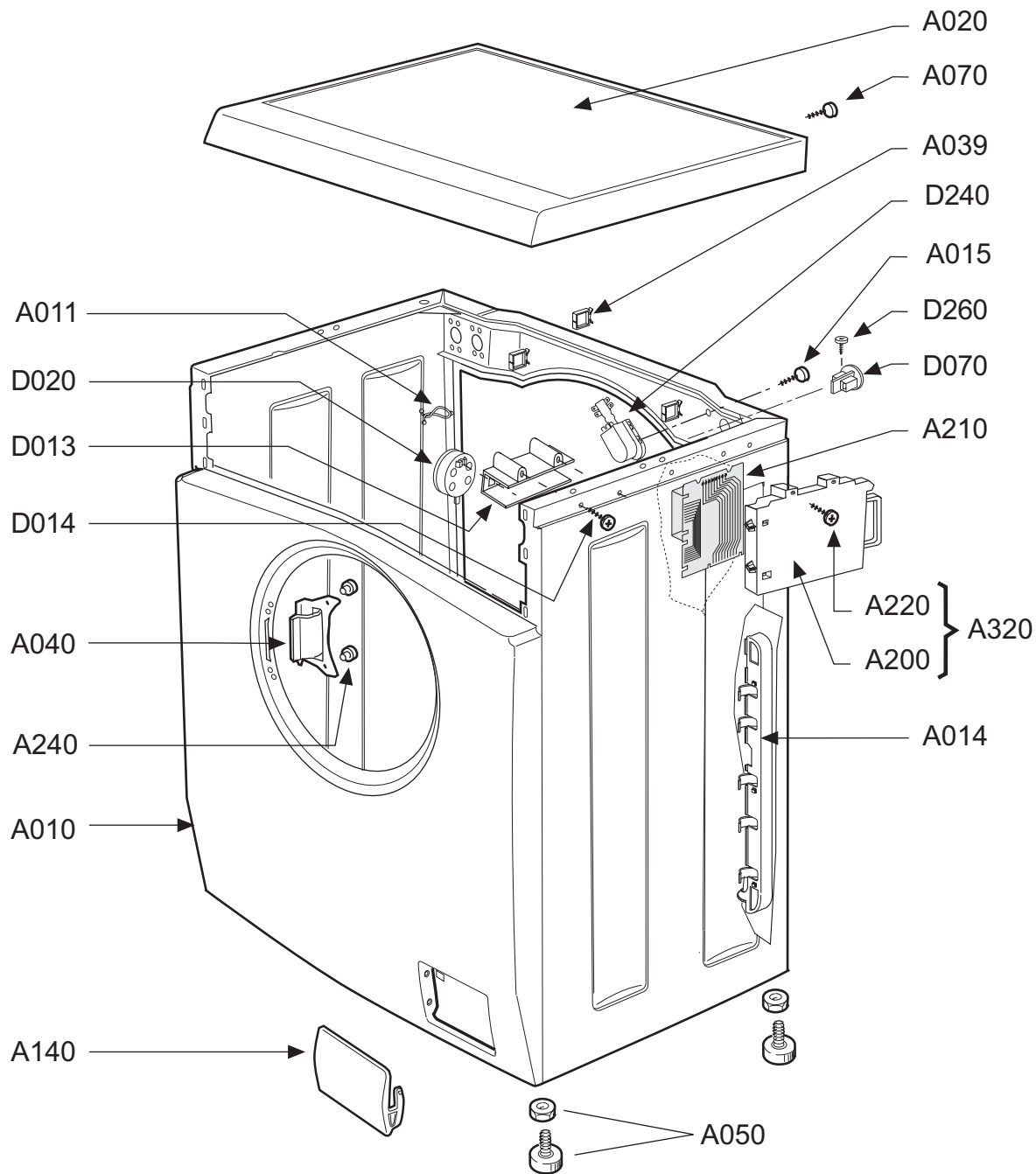


**999043304**

LBCF - 2 ELETTROVALVOLE  
AF-ELECTRONIC  
09/03/2007

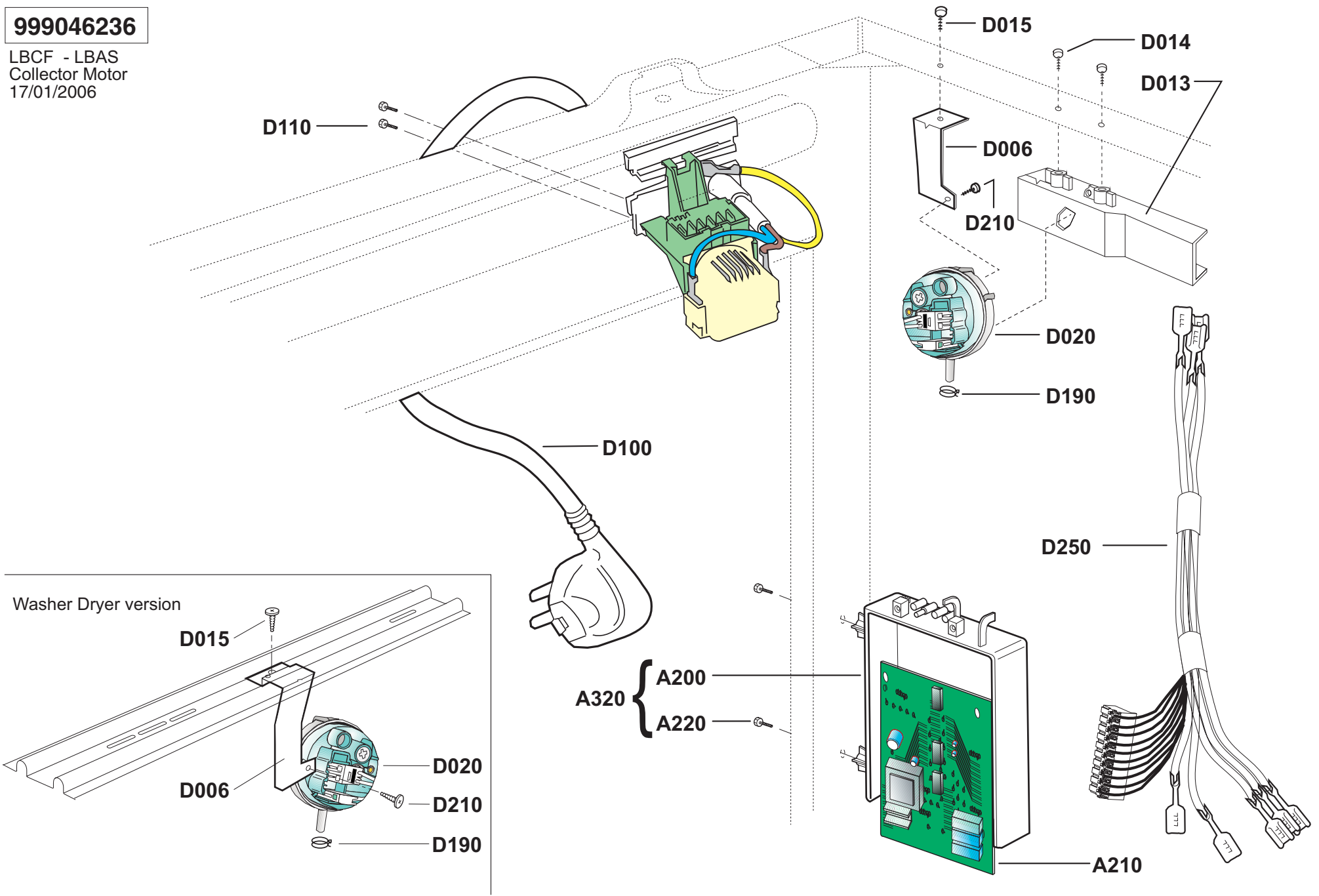
**999045206**

LB-CFE-47lt-PP  
Panel "T"  
09/05/07



**999046236**

LBCF - LBAS  
Collector Motor  
17/01/2006



D110

D015

D014

D013

D006

D210

D020

D190

D100

D250

Washer Dryer version

D015

D006

D020

D210

D190

A320

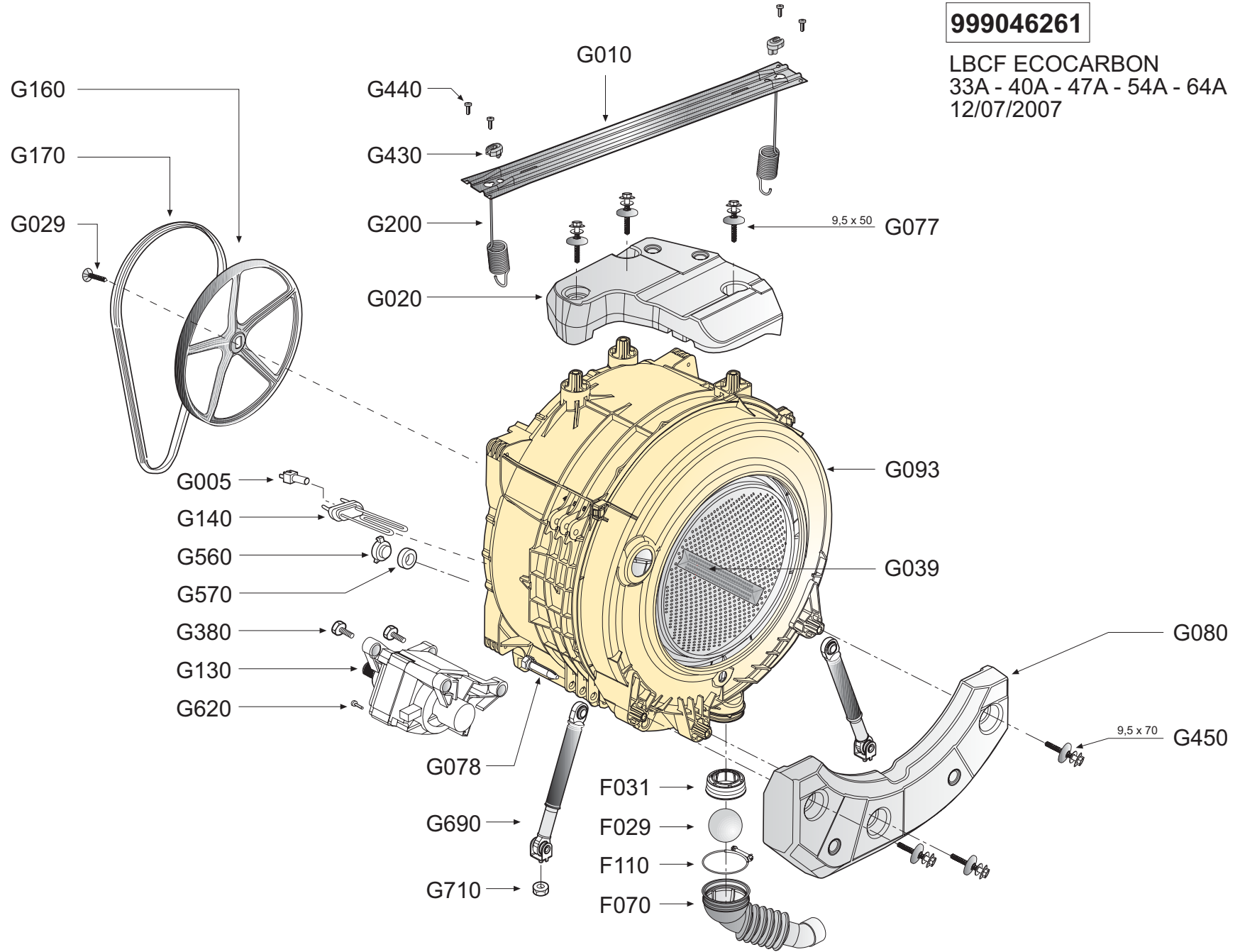
A200

A220

A210

**999046261**

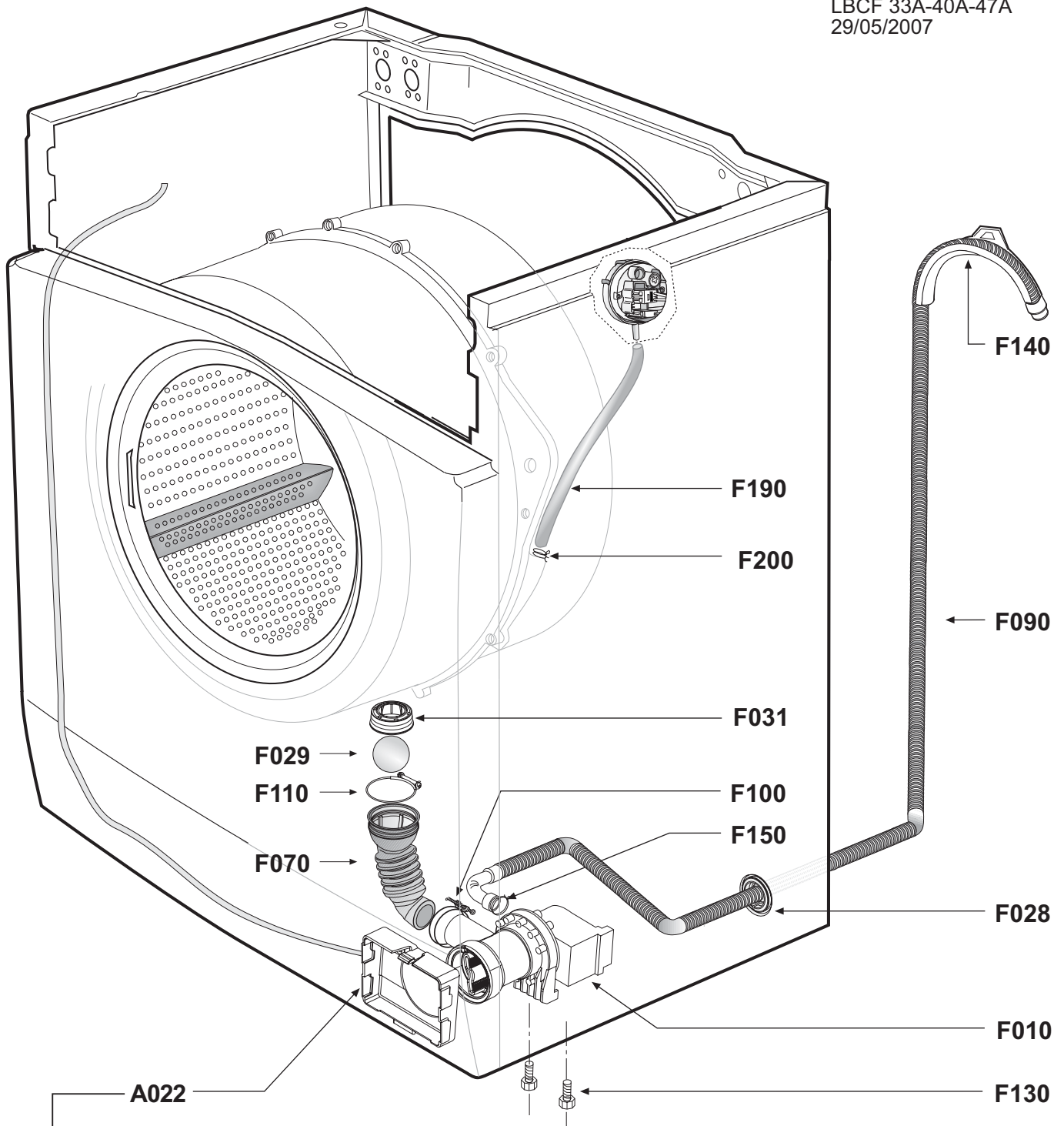
LBCF ECOCARBON  
33A - 40A - 47A - 54A - 64A  
12/07/2007





**999046361**

Eco-Ball & Self cleaning  
drain pump system  
LBCF 33A-40A-47A  
29/05/2007

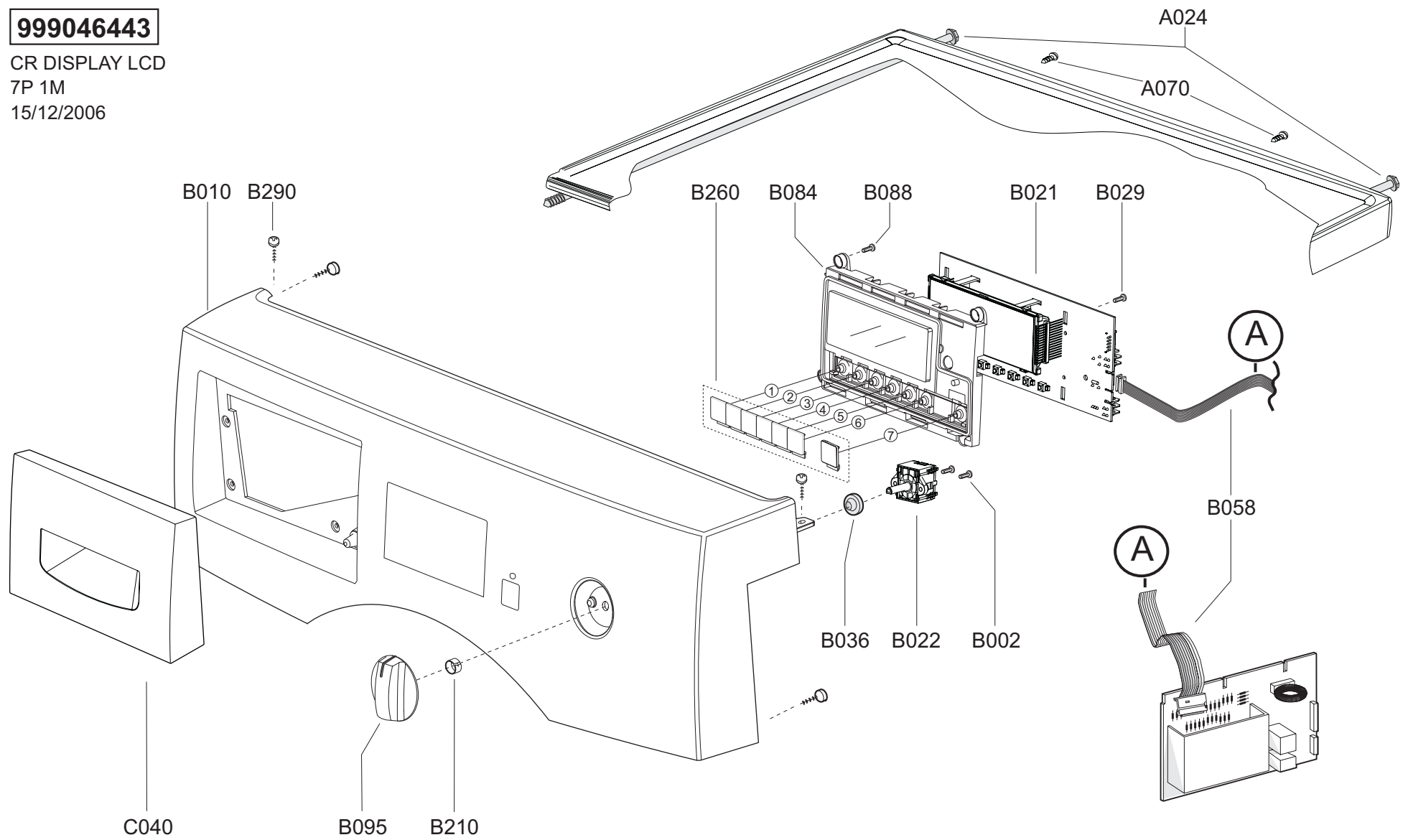


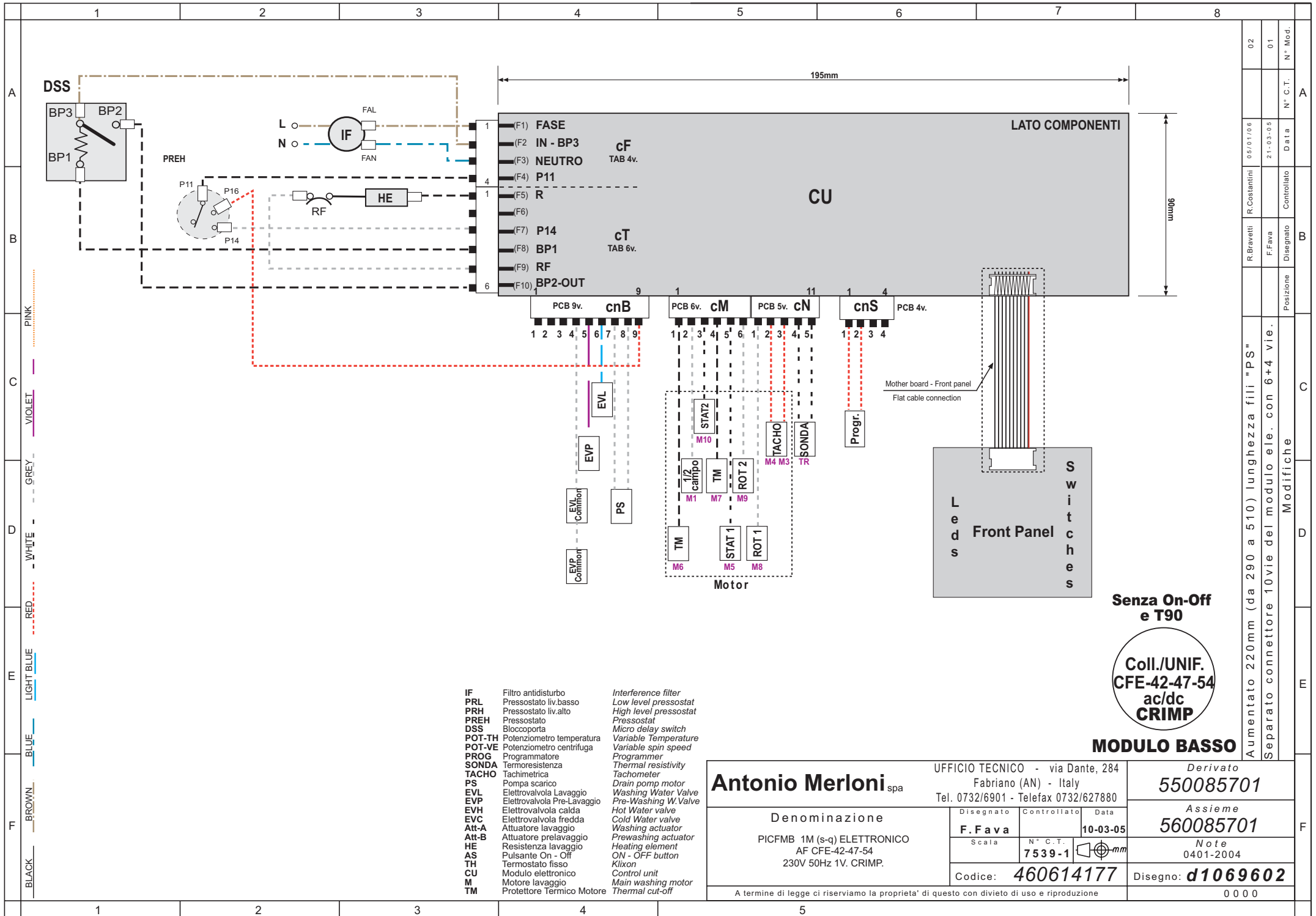
- I** → Protezione Pompa utilizzata esclusivamente su macchine provviste di Pannello frontale "T".
- F** → Protection Pompe de vidange utilisée exclusivement dans les machines ayant le Panneau frontal "T".
- GB** → Pump Cover used exclusively on machines fitted with "T" type cabinet front Panel.
- D** → Pumpenschutz ausschließlich an Maschinen mit Frontpaneel "T".
- E** → Protección Bomba utilizada exclusivamente en máquinas dotadas de Panel frontal "T".



**999046443**

CR DISPLAY LCD  
7P 1M  
15/12/2006





- |        |                             |                       |
|--------|-----------------------------|-----------------------|
| IF     | Filtro antidisturbo         | Interference filter   |
| PRL    | Pressostato liv.basso       | Low level pressostat  |
| PRH    | Pressostato liv.alto        | High level pressostat |
| PREH   | Pressostato                 | Pressostat            |
| DSS    | Bloccoporta                 | Micro delay switch    |
| POT-TH | Potenzimetro temperatura    | Variable Temperature  |
| POT-VE | Potenzimetro centrifuga     | Variable spin speed   |
| PROG   | Programmatore               | Programmer            |
| SONDA  | Termoresistenza             | Thermal resistivity   |
| TACHO  | Tachimetria                 | Tachometer            |
| PS     | Pompa scarico               | Drain pump motor      |
| EVL    | Elettrovalvola Lavaggio     | Washing Water Valve   |
| EVP    | Elettrovalvola Pre-Lavaggio | Pre-Washing W.Valve   |
| EVH    | Elettrovalvola calda        | Hot Water valve       |
| EVC    | Elettrovalvola fredda       | Cold Water valve      |
| Att-A  | Attuatore lavaggio          | Washing actuator      |
| Att-B  | Attuatore prelavaggio       | Prewashing actuator   |
| HE     | Resistenza lavaggio         | Heating element       |
| AS     | Pulsante On - Off           | ON - OFF button       |
| TH     | Termostato fisso            | Klixon                |
| CU     | Modulo elettronico          | Control unit          |
| TM     | Motore lavaggio             | Main washing motor    |
|        | Protettore Termico Motore   | Thermal cut-off       |

Senza On-Off e T90

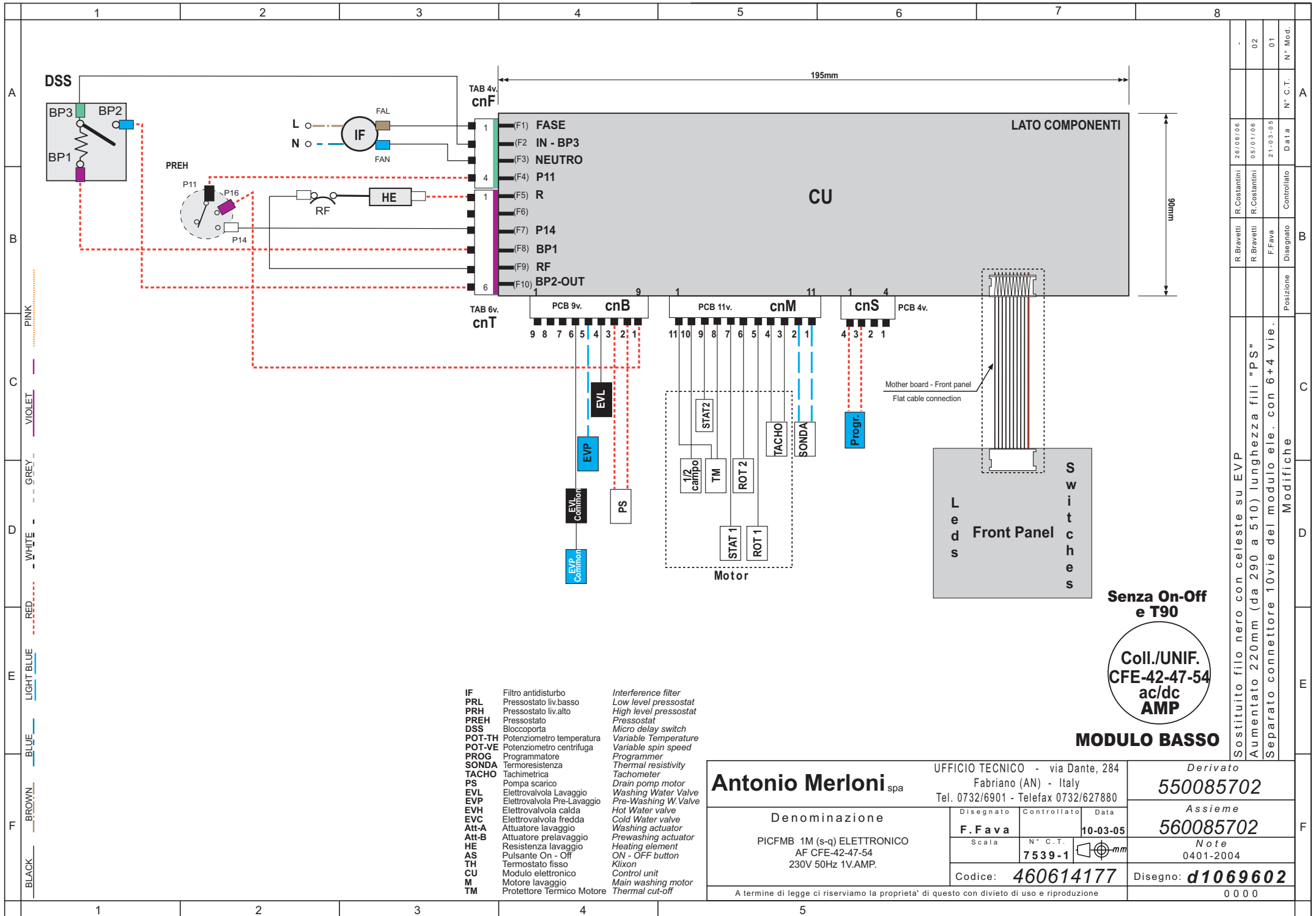
Coll./UNIF.  
CFE-42-47-54  
ac/dc  
CRIMP

**MODULO BASSO**

<b>Antonio Merloni</b> spa Denominazione PICFMB 1M (s-q) ELETTRONICO AF CFE-42-47-54 230V 50Hz 1V. CRIMP.		UFFICIO TECNICO - via Dante, 284 Fabriano (AN) - Italy Tel. 0732/6901 - Telefax 0732/627880		Derivato <b>550085701</b>	
		Disegnato <b>F. Fava</b> Controllato Data Scala <b>7539-1</b> N° C.T. <b>10-03-05</b>		Assieme <b>560085701</b>	
Codice: <b>460614177</b>		Disegno: <b>d1069602</b>		Note 0401-2004	
A termine di legge ci riserviamo la proprieta' di questo con divieto di uso e riproduzione				0 0 0	

Aumentato 220mm (da 290 a 510) lunghezzazila fili "PS"  
 Separato connettore 10vie del modulo ele. con 6+4 vie.

02	05/01/06	R.Costantini
01	21-03-05	F.Fava
N° Mod.	N° C.T.	Controllo
	Data	Disegnato
		Posizione



- |        |                             |                       |
|--------|-----------------------------|-----------------------|
| IF     | Filtro antisturbo           | Interference filter   |
| PRL    | Pressostato liv.basso       | Low level pressostat  |
| PRH    | Pressostato liv.alto        | High level pressostat |
| PREH   | Pressostato                 | Pressostat            |
| DSS    | Bloccoporta                 | Micro delay switch    |
| POT-TH | Potenzimetro temperatura    | Variable Temperature  |
| POT-VE | Potenzimetro centrifuga     | Variable spin speed   |
| PROG   | Programmatore               | Programmer            |
| SONDA  | Termoresistenza             | Thermal resistivity   |
| TACHO  | Tachimetrica                | Tachometer            |
| PS     | Pompa scarico               | Drain pump motor      |
| EVL    | Elettrovalvola Lavaggio     | Washing Water Valve   |
| EVP    | Elettrovalvola Pre-Lavaggio | Pre-Washing W.Valve   |
| EVH    | Elettrovalvola calda        | Hot Water valve       |
| EVC    | Elettrovalvola fredda       | Cold Water valve      |
| Att-A  | Attuatore lavaggio          | Washing actuator      |
| Att-B  | Attuatore prelavaggio       | Prewashing actuator   |
| HE     | Resistenza lavaggio         | Heating element       |
| AS     | Pulsante On - Off           | ON - OFF button       |
| TH     | Termostato fisso            | Klixon                |
| CU     | Modulo elettronico          | Control unit          |
| M      | Motore lavaggio             | Main washing motor    |
| TM     | Protettore Termico Motore   | Thermal cut-off       |

**Senza On-Off e T90**

**Coll./UNIF. CFE-42-47-54 ac/dc AMP**

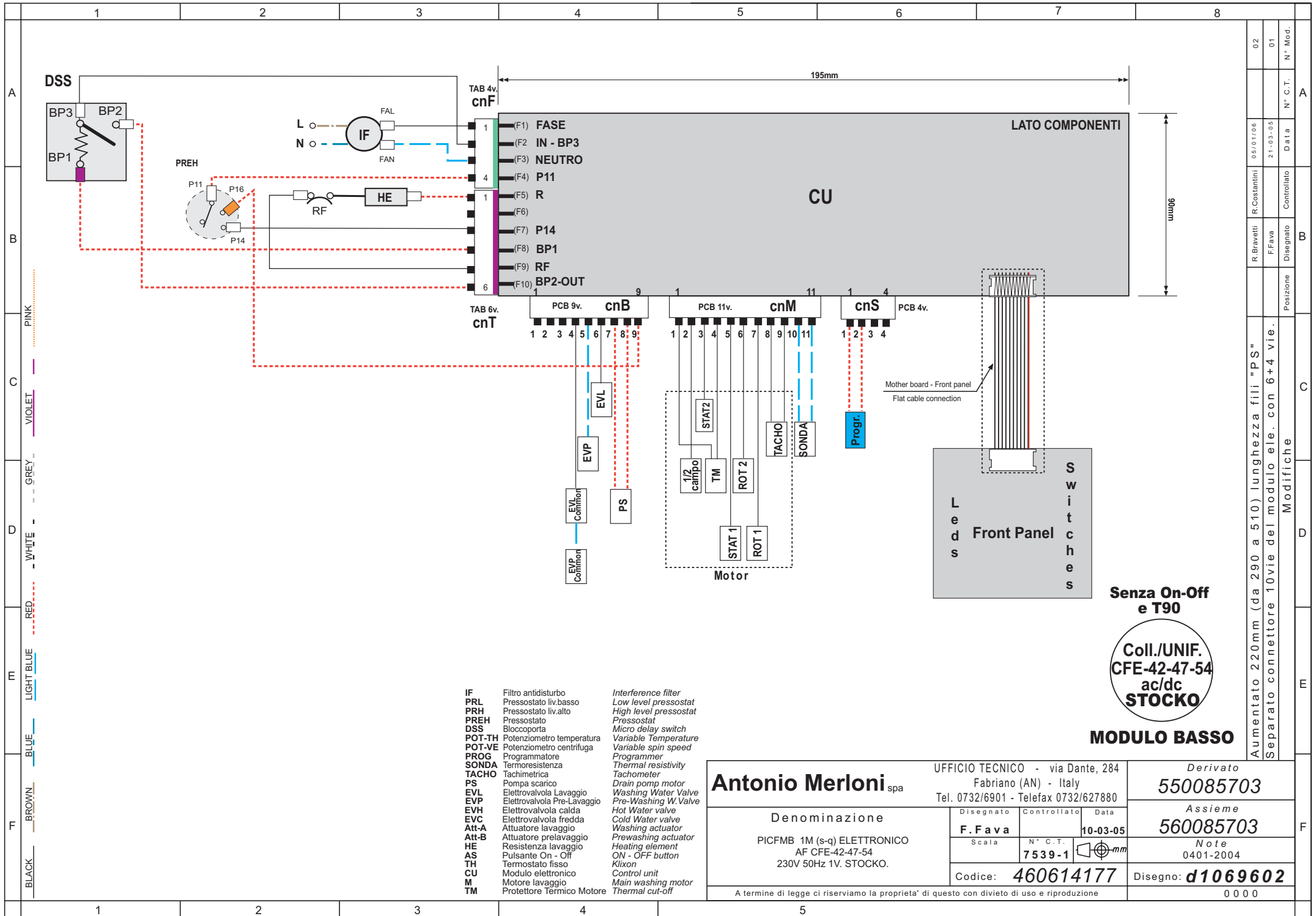
**MODULO BASSO**

<b>Antonio Merloni</b> spa Denominazione PICFMB 1M (s-q) ELETTRONICO AF CFE-42-47-54 230V 50Hz 1V.AMP.		UFFICIO TECNICO - via Dante, 284 Fabriano (AN) - Italy Tel. 0732/6901 - Telefax 0732/627880		Derivato <b>550085702</b>	
		Disegnato <b>F. Fava</b> Controllato Data Scala      N° C.T.      10-03-05		Assieme <b>560085702</b>	
Codice: <b>460614177</b>		Disegno: <b>d1069602</b>		Note 0401-2004	
A termine di legge ci riserviamo la proprieta' di questo con divieto di uso e riproduzione				0 0 0	

Posizione	R.Bravetti	R.Costantini	-
Disegnato	F.Fava	R.Costantini	02
Controllato		R.Costantini	01
Data			N° Mod.

Sostituito filo nero con celeste su EVP  
 Aumentato 220mm (da 290 a 510) lunghezza fili "PS"  
 Separato connettore 10vie del modulo ele. con 6+4 vie.

- BLACK
- BROWN
- BLUE
- LIGHT BLUE
- RED
- WHITE
- GREY
- VIOLET
- PINK



- |        |                             |                       |
|--------|-----------------------------|-----------------------|
| IF     | Filtro antidisturbo         | Interference filter   |
| PRL    | Pressostato liv.basso       | Low level pressostat  |
| PRH    | Pressostato liv.alto        | High level pressostat |
| PREH   | Pressostato                 | Pressostat            |
| DSS    | Bloccoporta                 | Micro delay switch    |
| POT-TH | Potenzimetro temperatura    | Variable Temperature  |
| POT-VE | Potenzimetro centrifuga     | Variable spin speed   |
| PROG   | Programmatore               | Programmer            |
| SONDA  | Termoresistenza             | Thermal resistivity   |
| TACHO  | Tachimetria                 | Tachometer            |
| PS     | Pompa scarico               | Drain pump motor      |
| EVL    | Elettrovalvola Lavaggio     | Washing Water Valve   |
| EVP    | Elettrovalvola Pre-Lavaggio | Pre-Washing W. Valve  |
| EVH    | Elettrovalvola calda        | Hot Water valve       |
| EVC    | Elettrovalvola fredda       | Cold Water valve      |
| Att-A  | Attuatore lavaggio          | Washing actuator      |
| Att-B  | Attuatore prelavaggio       | Prewashing actuator   |
| HE     | Resistenza lavaggio         | Heating element       |
| AS     | Pulsante On - Off           | ON - OFF button       |
| TH     | Termostato fisso            | Klixon                |
| CU     | Modulo elettronico          | Control unit          |
| M      | Motore lavaggio             | Main washing motor    |
| TM     | Protettore Termico Motore   | Thermal cut-off       |

**Senza On-Off e T90**

**Coll./UNIF. CFE-42-47-54 ac/dc STOCKO**

**MODULO BASSO**

<b>Antonio Merloni</b> spa Denominazione PICFMB 1M (s-q) ELETTRONICO AF CFE-42-47-54 230V 50Hz 1V. STOCKO.		UFFICIO TECNICO - via Dante, 284 Fabriano (AN) - Italy Tel. 0732/6901 - Telefax 0732/627880		Derivato <b>550085703</b>	
		Disegnato <b>F. Fava</b> Controllato <b>Data</b> Scala <b>7539-1</b> N° C.T. <b>10-03-05</b>		Assieme <b>560085703</b> Note 0401-2004	
Codice: <b>460614177</b>			Disegno: <b>d1069602</b>		
A termine di legge ci riserviamo la proprieta' di questo con divieto di uso e riproduzione					0 0 0

02	05/01/06	R.Costantini	01	N° Mod.
	21-03-05	F.Fava		N° C.T.
				Data
				Controlato
				Disegnato
				Posizione

Aumentato 220mm (da 290 a 510) lunghezza fili "PS"  
Separato connettore 10vie del modulo ele. con 6+4 vie.

Modifiche

## Ersatzteilliste

---

**Maschine**      010980119      LBCFU ARD5 12CF6H DPV ARDO FLO126L 230V 50HZ
 

---

<i>Ersatzt.</i>	<i>Pos.Expl.</i>	<i>Beschreib.</i>	<i>Laufzeit</i>		<i>Men</i>
432028100	CFA009	BEFESTIGUNGSSCHRAUBEN HAKEN SCHLAUCH ELEKTROVENTIL	01/01/1900	21/03/2007	1
710090901	CFA010	GEHAEUSE	01/01/1900	31/12/4999	1
398034000	CFA011	SENKEL HAKEN VERKABELUNG	01/01/1900	19/07/2006	2
354023800	CFA014	VERTIKALE HALTERUNG SITZ VERKABELUNG	01/01/1900	31/12/4999	1
398114700	CFA016	SCHLAUCHBEFESTIGER ZUFLUSS-ABFLUSS WASSER GESCHLOSSEN	01/01/1900	31/12/4999	2
398027000	CFA017	SCHLAUCHBEFESTIGER ZUFLUSS-ABFLUSS WASSER OFFE	01/01/1900	31/12/4999	2
721083500	CFA020	OBERER DECKEL	01/01/1900	31/12/4999	1
352015400	CFA022	SCHUTZVORR. ABSAUGPUMPE	01/01/1900	31/12/4999	1
432032400	CFA024	SCHRAUBE OBERER DECKEL-STIRNBRETT	01/01/1900	31/12/4999	2
276006701	CFA030	RUCKWARTIGER DECKEL	01/01/1900	31/12/4999	1
398108000	CFA039	CLIP DRAHTFIXIERUNG MAGNETVENTIL	01/01/1900	31/12/4999	3
246031700	CFA040	SCHARNIER	01/01/1900	31/12/4999	1
720383700	CFA050	FUSS REGULIERBAR	15/07/2007	31/12/4999	4
720168500	CFA050	FUSS REGULIERBAR	01/01/1900	15/07/2007	4
432028400	CFA070	SCHRAUBE FUER OBEREN DECKEL	28/04/2003	31/12/4999	2
432004900	CFA070	SCHRAUBE FUER OBEREN DECKEL	01/01/1900	28/04/2003	2
432004600	CFA080	SCHRAUBE FUER RUECKWARTIGEN DECKEL	01/01/1900	19/10/2001	10

**Ersatzteilliste**


---

**Maschine**      010980119      LBCFU ARD5 12CF6H DPV ARDO FLO126L 230V 50HZ
 

---

<i>Ersatzt.</i>	<i>Pos.Expl.</i>	<i>Beschreib.</i>	<i>Laufzeit</i>		<i>Men</i>
398091100	CFA080	SCHRAUBE FUER RUECKWARTIGEN DECKEL	19/10/2001	21/03/2007	1
432028100	CFA080	SCHRAUBE FUER RUECKWARTIGEN DECKEL	21/03/2007	31/12/4999	10
398282400	CFA140	FILTERKLAPPE	01/01/1900	31/12/4999	1
368033100	CFA200	KARTENBEHALTER	01/01/1900	31/12/4999	1
546094900	CFA210	ELEKTRONIK-MODUL	01/01/1900	31/12/4999	1
432004900	CFA220	BEFESTIGUNGSSCHRAUBE F.KARTENBEHALTER	01/01/1900	02/02/2004	2
432028400	CFA220	BEFESTIGUNGSSCHRAUBE F.KARTENBEHALTER	02/02/2004	31/12/4999	2
438001800	CFA240	NIETE F.SICHTFENSTERSCHARNIER	01/01/1900	31/12/4999	4
720399600	CFA320	MODULTRAGER-GEHAUSEINHEIT	01/01/1900	31/12/4999	1
432003200	CFB002	FESTSTELLSCHRAUBE POTENTIOMETER	01/01/1900	31/12/4999	2
804660915	CFB010	BLENDRAHMEN	01/01/1900	31/12/4999	1
720542100	CFB021	ELEKTRONIKKARTE TASTEN+DISPLAY	01/01/1900	31/12/4999	1
502050300	CFB022	PROGRAMMSCHALTER	01/01/1900	31/12/4999	1
432026000	CFB029	FESTSTELLSCHRAUBE ELEKTRONIKKARTE	01/01/1900	31/12/4999	5
402027300	CFB036	DICHTUNG FUER POTENTIOMETER	01/01/1900	31/12/4999	1
510227700	CFB058	FLACHKABEL FUER ANSCHLUSS KARTE TASTENKREIS-ELEKTR. MODUL	01/01/1900	31/12/4999	1
352015500	CFB084	SCHUTZVORR. DISPLAY LCD	01/01/1900	31/12/4999	1

**Ersatzteilliste**


---

**Maschine**      010980119      LBCFU ARD5 12CF6H DPV ARDO FLO126L 230V 50HZ
 

---

<i>Ersatz.</i>	<i>Pos.Expl.</i>	<i>Beschreib.</i>	<i>Laufzeit</i>		<i>Men</i>
326177000	CFB095	POTENTIOMETER TIMER KNOFF	01/01/1900	31/12/4999	1
444005700	CFB210	FEDER FUER THERMOSTATKNOFF	01/01/1900	31/12/4999	1
332077300	CFB260	DRUCKTASTE	01/01/1900	31/12/4999	1
432010000	CFB290	SCHRAUBE Z.BEFESTIGUNG D.BLENDE	29/03/2005	12/04/2006	4
432028100	CFB290	SCHRAUBE Z.BEFESTIGUNG D.BLENDE	12/04/2006	31/12/4999	4
432004600	CFB290	SCHRAUBE Z.BEFESTIGUNG D.BLENDE	01/01/1900	29/03/2005	4
348004900	CFC010	WASCHMITTEL-BEHALTER	01/01/1900	31/12/4999	1
330109600	CFC020	WASCHMITTEL-DECKEL-BEHALTER	01/01/1900	31/12/4999	1
398248500	CFC030	WASCHMITTELBEHAELTER	01/01/1900	31/12/4999	1
806351600	CFC040	HANDGRIFF FUER WASCHMIT.	01/01/1900	31/12/4999	1
398233100	CFC042	SCHOTT FUER WASCHMITTELBEHAELTER	01/01/1900	31/12/4999	1
398233800	CFC050	GITTER EINSPUELKAMMER WEICHSPUELER	01/01/1900	31/12/4999	1
402039800	CFC060	MUFFE WASCHMITTEL EINSPUELUNG	01/01/1900	31/12/4999	1
414002500	CFC070	ZUFUHRUNGSSCHLAUCH	01/01/1900	31/12/4999	2
440000200	CFC130	SHELLE F.VERSORGUNGSSCHLAUCH	01/01/1900	31/12/4999	4
440000600	CFC140	MUFFENSHELLE F. WASCHMITEINSPUELUNG	01/01/1900	31/12/4999	1
432031200	CFC150	SCHRAUBE FUER WASCHMITTELBEHALTER	01/01/1900	31/12/4999	4

&lt;CONTINUE ...&gt;



## Ersatzteilliste

---

**Maschine** 010980119 LBCFU ARD5 12CF6H DPV ARDO FLO126L 230V 50HZ
 

---

<i>Ersatz.</i>	<i>Pos.Expl.</i>	<i>Beschreib.</i>	<i>Laufzeit</i>		<i>Men</i>
534009600	CFD010	ELEKTROVENTIL	01/01/1900	31/12/4999	1
352011500	CFD013	FIXIERGEHAEUSE DRUCKWAECHTER	01/01/1900	31/12/4999	1
432009400	CFD014	FESTSTELLSCHRAUBE GEHAEUSE DRUCKWAECHTER	22/07/2002	31/12/4999	2
432008500	CFD014	FESTSTELLSCHRAUBE GEHAEUSE DRUCKWAECHTER	01/01/1900	22/07/2002	2
520009700	CFD020	DRUCKWACHTER	01/01/1900	31/12/4999	1
408000300	CFD040	SCHLAUCHZULAUF	01/01/1900	31/12/4999	1
402009100	CFD050	DICHTUNG FUER ZULAUFSCHLAUCH	01/01/1900	31/12/4999	1
508023300	CFD100	NETZANSCHLUSSKABEL	01/01/1900	31/12/4999	1
432028100	CFD110	ERDUNGSSCHRAUBE	29/03/2006	31/12/4999	2
432032200	CFD110	ERDUNGSSCHRAUBE	01/01/1900	29/03/2006	2
560085700	CFD250	VERKABELUNG	01/01/1900	31/12/4999	1
402003900	CFD280	FILTERDICHTUNG F.ZULAUFSCHLAUCH	01/01/1900	25/02/2007	1
432012600	CFE002	SCHRAUBE ZUR FIXIERUNG TUERVERRIEGELUNG AN MOEB01/01/1900	01/01/1900	31/12/4999	2
444023400	CFE010	RING MIT SCHRAUBE FUER BALGENDICHTUNG	01/01/1900	31/12/4999	1
404002800	CFE020	FENSTERMANSCHETTE	01/01/1900	31/12/4999	1
441034000	CFE030	SPANNRING FUER FENSTERMANSCHETTE	01/01/1900	31/12/4999	1
493103500	CFE040	SICHTFENSTERGLAS	01/01/1900	31/12/4999	1

**Ersatzteilliste**


---

**Maschine**      010980119      LBCFU ARD5 12CF6H DPV ARDO FLO126L 230V 50HZ
 

---

<i>Ersatz.</i>	<i>Pos.Expl.</i>	<i>Beschreib.</i>	<i>Laufzeit</i>		<i>Men</i>
530001500	CFE060	TUERSCHALTER	01/01/1900	31/12/4999	1
324004401	CFE080	SICHTFENSTERGRIFF	01/01/1900	31/12/4999	1
719008101	CFE090	SET-SICHTFENSTERGRIFF	01/01/1900	31/12/4999	1
432008700	CFE100	SCHRAUBE F.SICHTFENSTERGLAS	12/06/2007	31/12/4999	6
432003400	CFE100	SCHRAUBE F.SICHTFENSTERGLAS	01/01/1900	12/06/2007	6
398061800	CFE110	HALTER FUER SICHTFENSTERGLAS	01/01/1900	31/12/4999	6
432009300	CFE120	SCHRAUBE FUER SCHARNIER D.SICHTFENSTERS	01/01/1900	31/12/4999	3
432032200	CFE150	SCHRAUBE F.RUCKZUGFEDER D.KLINKE	01/01/1900	31/12/4999	2
444016100	CFE160	RUCKZUGFEDER F.KLINKE	01/01/1900	31/12/4999	1
443013500	CFE200	STIFT FUER TUERVERSCHLUSSHAKEN	01/01/1900	31/12/4999	1
398245600	CFE210	TURVERSCHLUSSHAKEN	01/01/1900	31/12/4999	1
444017900	CFE230	FEDER	01/01/1900	31/12/4999	1
344003600	CFE250	UNTERRAHMEN F.SICHTFENSTER	01/01/1900	31/12/4999	1
518008100	CFF010	ELEKTROPUMPE	01/01/1900	31/12/4999	1
402049500	CFF070	KURVE F.ABLAUFBUCHSE	01/01/1900	31/12/4999	1
414004400	CFF090	SCHLAUCHABLAUF	01/01/1900	31/12/4999	1
440000400	CFF100	SHELLE FUR FILTERANSCHLUSS D.PUMPE	01/01/1900	31/12/4999	1

**Ersatzteilliste**


---

**Maschine** 010980119 LBCFU ARD5 12CF6H DPV ARDO FLO126L 230V 50HZ
 

---

<i>Ersatzt.</i>	<i>Pos.Expl.</i>	<i>Beschreib.</i>	<i>Laufzeit</i>		<i>Men</i>
440001700	CFF100	SCHELLE FUR FILTERANSCHLUSS D.PUMPE	01/01/1900	31/12/4999	1
440005300	CFF110	SCHELLE FUR ABLAUFBUCHSENKURVE	01/01/1900	31/12/4999	1
432007000	CFF130	SCHRAUBE FUER ELEKTROPUMPE	01/01/1900	31/12/4999	2
398019400	CFF140	SCHLAUCHKLEMME F.SCHLAUFE D.ABLAUFSCHLAUCHES	01/01/1900	31/12/4999	1
440005400	CFF150	SCHELLE F.ABFLUSSSCHLAUCH	01/01/1900	31/12/4999	1
414003500	CFF190	DRUCKWACHERROHRE	01/01/1900	31/12/4999	1
440000100	CFF200	DRUCKWACHERSCHLAUCHSCHELLE MUFFENSEITE	01/01/1900	31/12/4999	1
526021600	CFG005	THERMOWIDERSTAND	01/01/1900	31/12/4999	1
258002100	CFG010	QUERSTANGE FUER FEDER	01/01/1900	31/12/4999	1
490012400	CFG020	GEGENGEWICHT OBEN	01/01/1900	31/12/4999	1
430031100	CFG029	FESTSTELLSCHRAUBE RIEMENSCHLEIBE ROHRLEITUNG	01/01/1900	31/12/4999	1
398101400	CFG039	MITNEHMER TROMMEL HERAUSNEHMBAR	01/01/1900	31/12/4999	4
720573800	CFG077	SCHRAUBE FUER GEGENGEWICHT 9,5X50	01/01/1900	31/12/4999	3
398284100	CFG078	HALTEBOLZEN STOSSDAEMPFER	01/01/1900	31/12/4999	2
490012500	CFG080	GEGENGEWICHT UNTEN	01/01/1900	31/12/4999	1
512020800	CFG130	MOTOR	01/01/1900	31/12/4999	1
524025200	CFG140	WIDERSTAND	01/01/1900	31/12/4999	1

**Ersatzteilliste**


---

**Maschine**      010980119      LBCFU ARD5 12CF6H DPV ARDO FLO126L 230V 50HZ
 

---

<i>Ersatz.</i>	<i>Pos.Expl.</i>	<i>Beschreib.</i>	<i>Laufzeit</i>		<i>Men</i>
268117700	CFG160	RIEMENSCHLEIBE ANTRIEB	01/01/1900	31/12/4999	1
416002800	CFG170	TREIBRIEMEN	01/01/1900	31/12/4999	1
444024400	CFG200	AUFHAENGEFEDER BOTTICH	01/01/1900	31/12/4999	2
432035300	CFG380	SCHRAUBE FUER MOTOR	01/01/1900	31/12/4999	2
499003600	CFG430	FEDERRING	01/01/1900	31/12/4999	2
432028100	CFG440	F.FEDERQUERSTUECK	01/01/1900	31/12/4999	4
720573900	CFG450	SCHRAUBE FUER GEGENGEWICHT UNTEN	01/01/1900	31/12/4999	3
499026300	CFG690	SCHWINGUNGSDAEMPFER	01/01/1900	31/12/4999	2
434004200	CFG710	BEFESTIGUNGSMUTTER SCHWINGUNGSDAEMPFER	01/01/1900	31/12/4999	2
432035600	CFZ010	SCHRAUBE F.VERPACKUNG	01/01/1900	12/02/2007	4
432036100	CFZ010	SCHRAUBE F.VERPACKUNG	12/02/2007	31/12/4999	4
441017600	CFZ019	BUCHSE FUER DISTANZSTUECK VERPACKUNG	01/01/1900	31/12/4999	4
436006400	CFZ020	U-SCHLEIBE F.SCHRAUBE D.VERPACKUNG	01/01/1900	31/12/4999	4
350009900	CFZ023	VERSCHLUSS PLASTIKVERPACKUNG	01/01/1900	31/12/4999	4
461307043	CFZ025	HANDBUCH TECHNISCHE DATEN	01/01/1900	31/12/4999	1
470037700	CFZ040	DISTANZSTUECK AUS KUNSTSTOFF F.VERPACKUNG	01/01/1900	31/12/4999	4
470055900	CFZ280	UNTERE VERPACKUNGS-UMHUELLUNG	01/01/1900	31/12/4999	1

**Ersatzteilliste**

---

**Maschine** 010980119 LBCFU ARD5 12CF6H DPV ARDO FLO126L 230V 50HZ

---

<i>Ersatzt.</i>	<i>Pos.Expl.</i>	<i>Beschreib.</i>	<i>Laufzeit</i>		<i>Men</i>
470056800	CFZ290	OBERE VERPACKUNGS-UMHUELLUNG	01/01/1900	31/12/4999	1
476009000	CFZ300	VORDERES WINKELPROFIL RECHTS-LINKS	01/01/1900	31/12/4999	2
476017100	CFZ310	HINTERES WINKELPROFIL RECHTS-LINKS	01/01/1900	31/12/4999	2
461306292	CFZ330	GEBRAUCHSANWEISUNG	01/01/1900	31/12/4999	1
461306053	CFZ330	GEBRAUCHSANWEISUNG	01/01/1900	31/12/4999	1
466000016	LVD008	DOKUMENT TECHNISCHE INFORMATION MAGNETISCHE ENTKALKER	01/01/1900	31/12/4999	1
466000065	LVD044	ELEKTRONISCHES WARTUNGSHANDBUCH	01/01/1900	31/12/4999	1
460614177	LVZ000	ELEKTRISCHER SCHALTPLAN	01/01/1900	31/12/4999	1