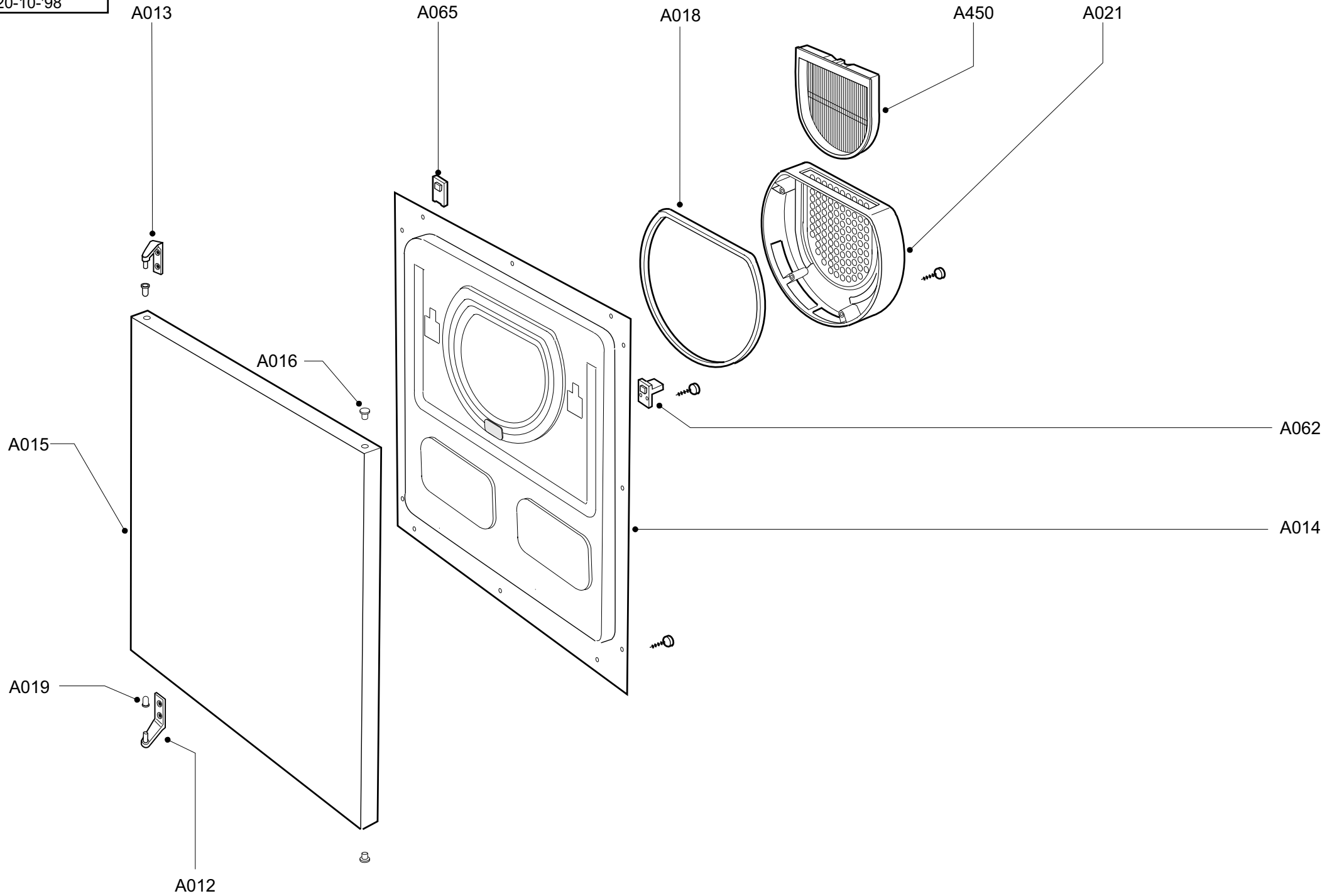
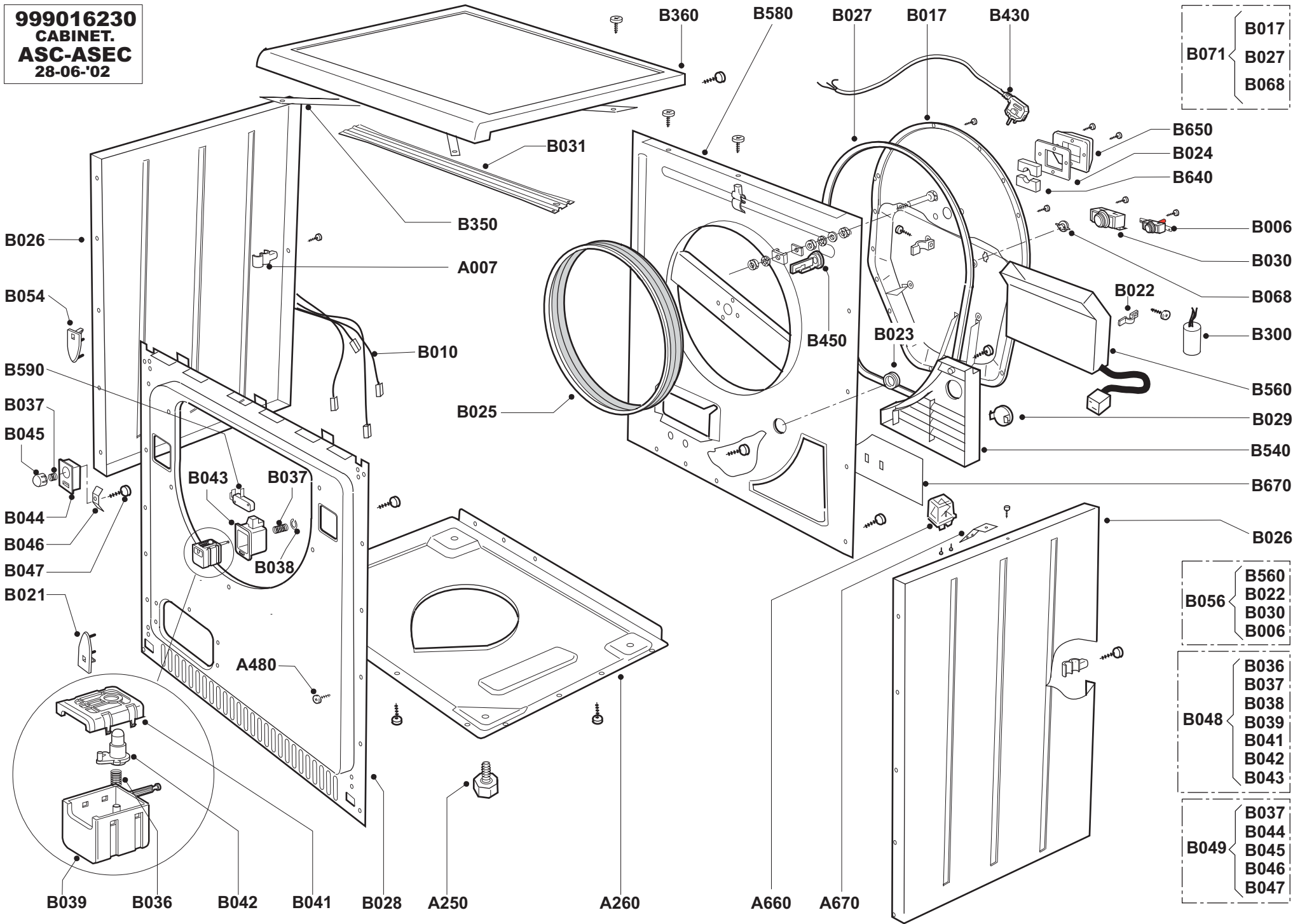


999016229  
DOOR+INNER DOOR  
ASC+ASEC  
20-10-'98



**999016230**  
**CABINET.**  
**ASC-ASEC**  
**28-06-'02**

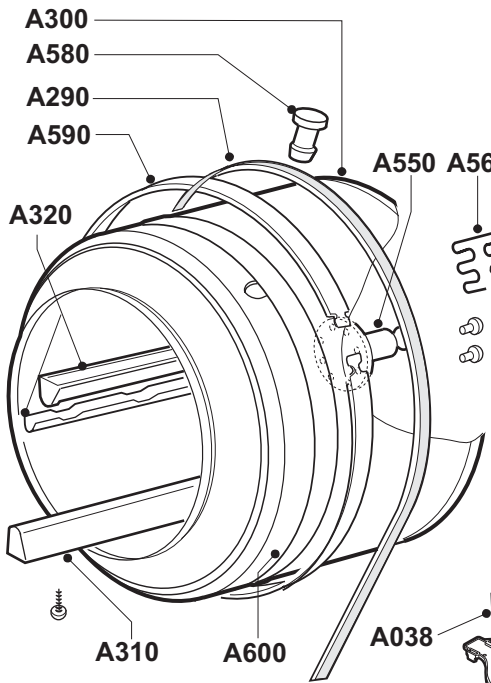


**A003**  
COVER + MES PUMP  
ASSEMBLED BY THE  
SUPPLIER

**A066** }  
**A004**  
**A006**

**A078** }  
**A200**  
**A110**

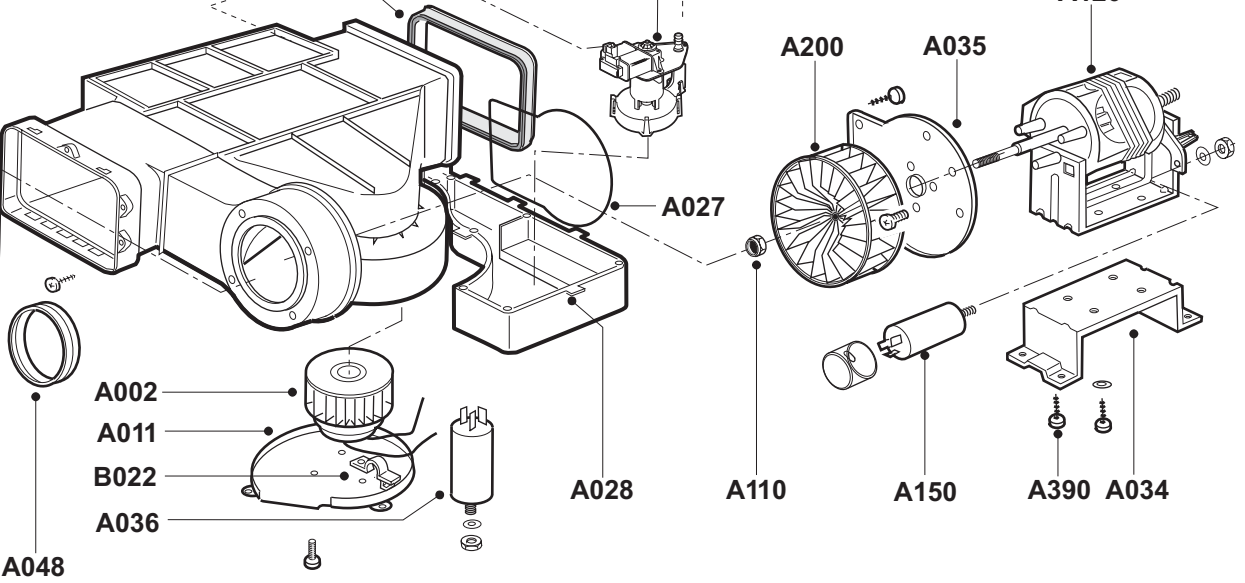
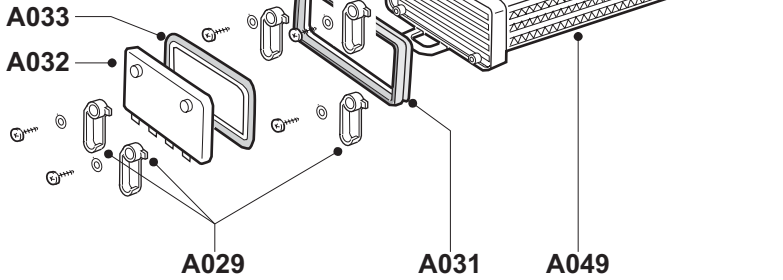
- A640
- A620
- A610
- A630
- A570
- A005
- A004



**old version**

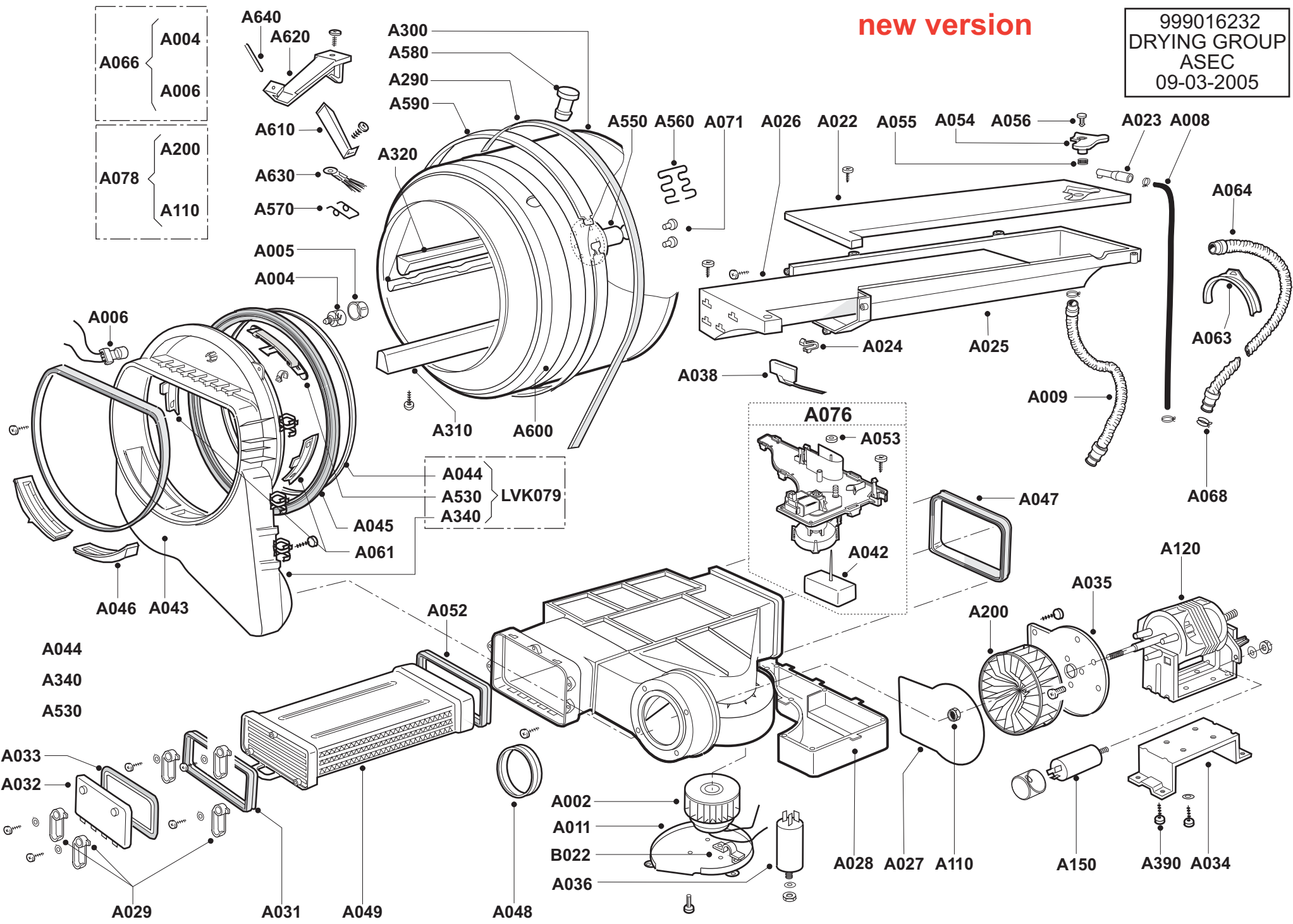
999016232  
DRYING GROUP  
ASEC  
04-02-2005

**LVK079** }  
**A044**  
**A340**  
**A530**

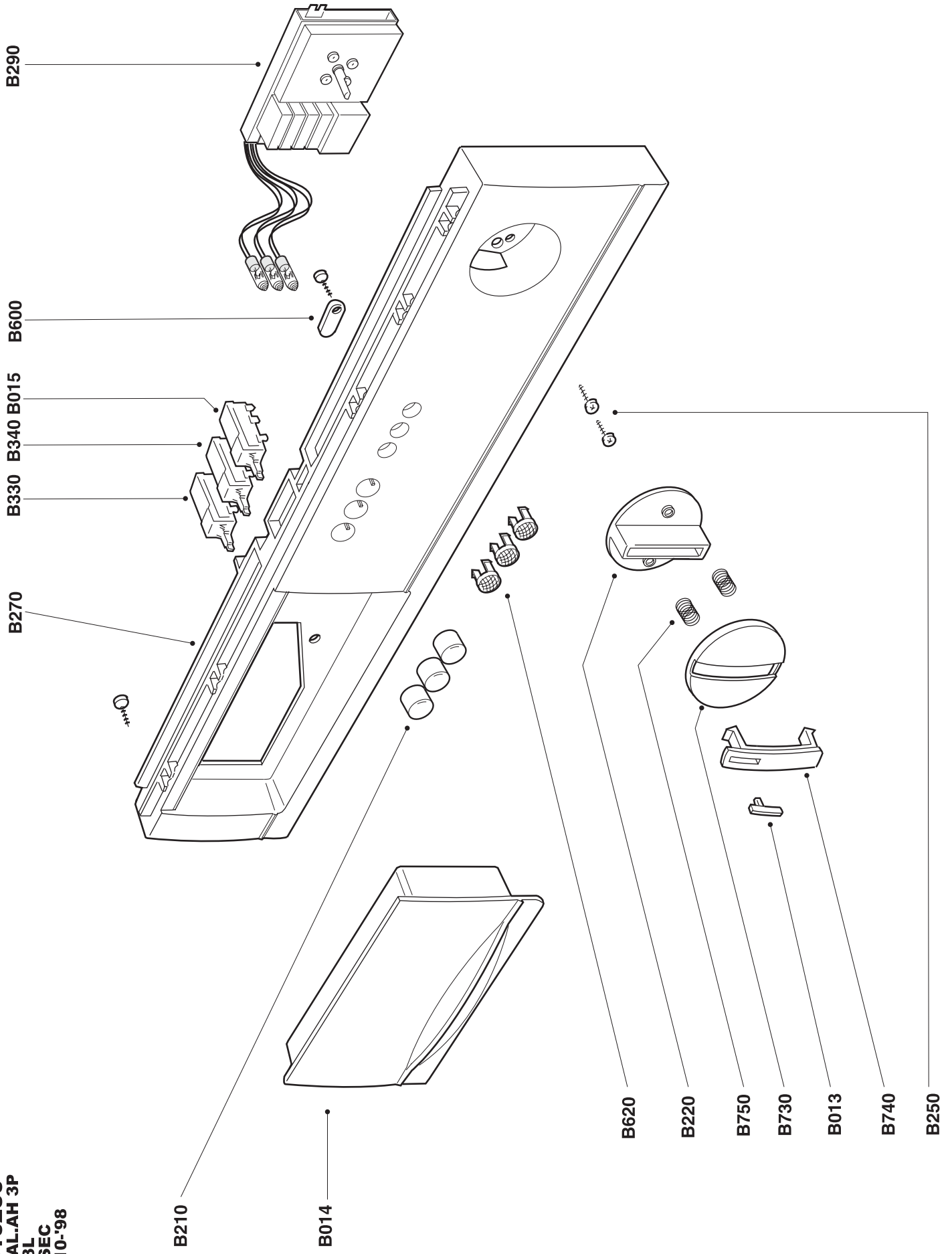


**new version**

999016232  
DRYING GROUP  
ASEC  
09-03-2005

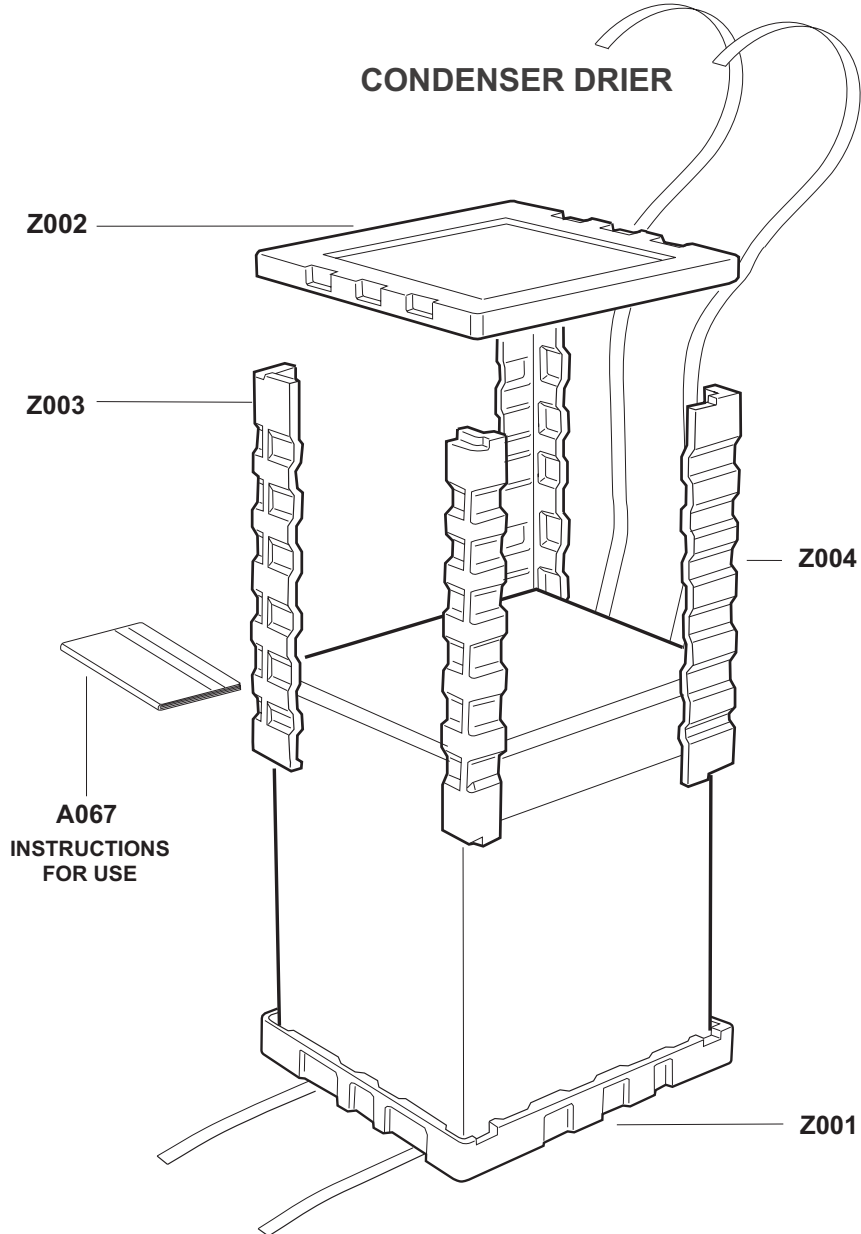
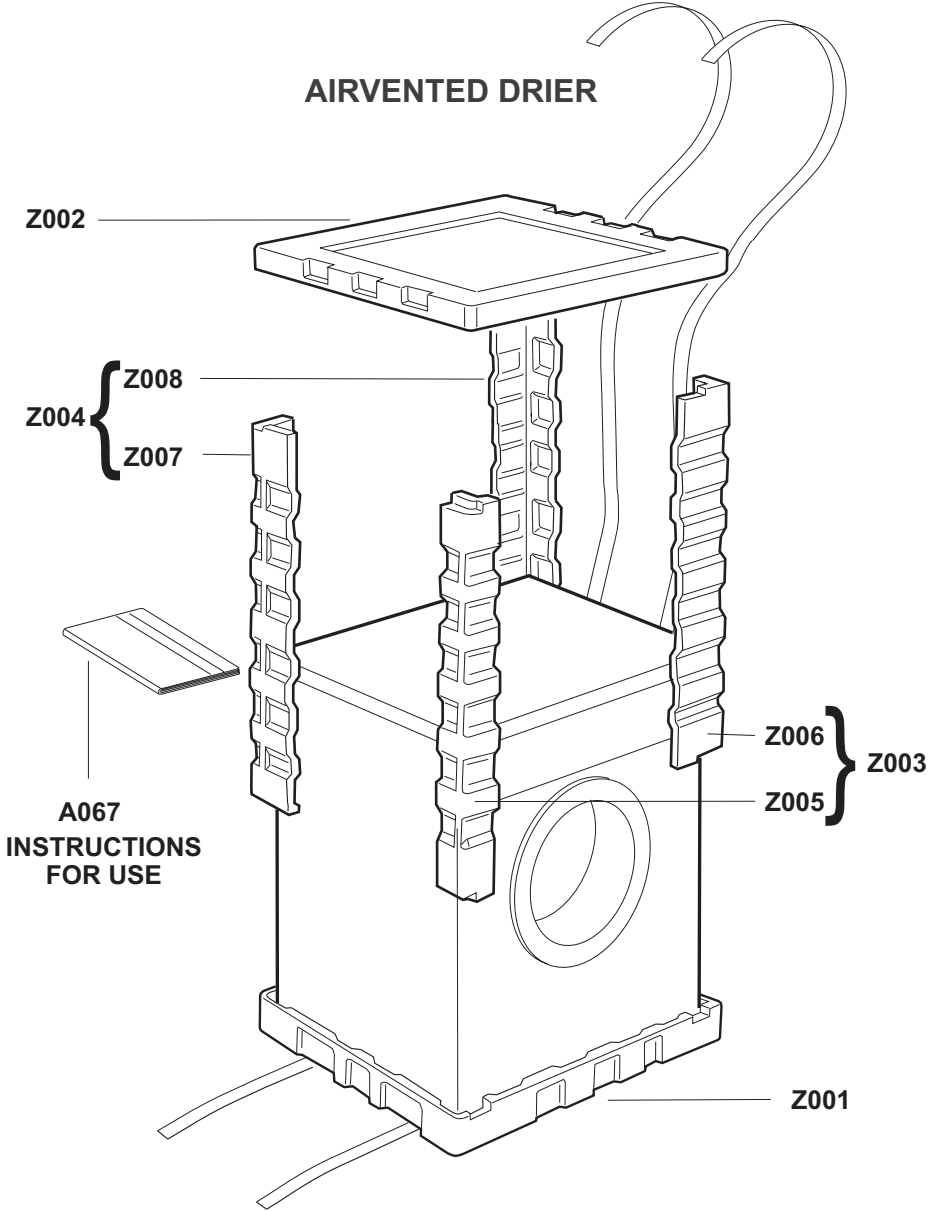


999016236  
FRONTAL.AH 3P  
3L  
ASEC  
26-10-'98



999044210  
SHRINK PACKING FREE-STANDING  
ASX-ASXC

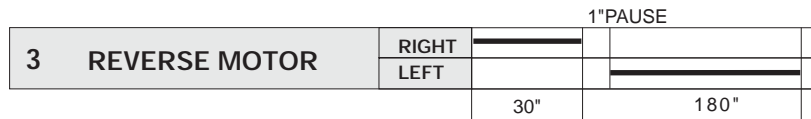
16/12/2003





|                   |               |
|-------------------|---------------|
| Timer Description | 220-230V 50Hz |
| Code Number       | 516009000     |
| Type              | TIM 9203      |

|                  |                 |   | DRYING WARM AIR    |         |
|------------------|-----------------|---|--------------------|---------|
| NORMAL PROGRAM   |                 |   | HEATING + MOVEMENT | COOLING |
| HUMIDITY 0%      | HEATING ELEMENT | A | 8 min.             |         |
|                  | HEATING ELEMENT | B |                    |         |
| HUMIDITY 6%      | HEATING ELEMENT | A | 8 min.             |         |
|                  | HEATING ELEMENT | B |                    |         |
| HUMIDITY 10%     | HEATING ELEMENT | A | 10 min.            |         |
|                  | HEATING ELEMENT | B |                    |         |
| HUMIDITY 20%     | HEATING ELEMENT | A | 12 min.            |         |
|                  | HEATING ELEMENT | B |                    |         |
| DELICATE PROGRAM |                 |   |                    |         |
| HUMIDITY 0%      | HEATING ELEMENT | A | 8 min.             |         |
|                  | HEATING ELEMENT | B |                    |         |
| HUMIDITY 6%      | HEATING ELEMENT | A | 8 min.             |         |
|                  | HEATING ELEMENT | B |                    |         |
| HUMIDITY 10%     | HEATING ELEMENT | A | 10 min.            |         |
|                  | HEATING ELEMENT | B |                    |         |
| HUMIDITY 20%     | HEATING ELEMENT | A | 12 min.            |         |
|                  | HEATING ELEMENT | B |                    |         |
| TIME PROGRAM     |                 |   |                    |         |
| 60'              | HEATING ELEMENT | A | 10 min.            |         |
|                  | HEATING ELEMENT | B |                    |         |
| 40'              | HEATING ELEMENT | A | 10 min.            |         |
|                  | HEATING ELEMENT | B |                    |         |
| 20'              | HEATING ELEMENT | A | 10 min.            |         |
|                  | HEATING ELEMENT | B |                    |         |
| DRYING MOTOR     |                 |   |                    |         |



|  |  |  |   |                              |                          |                 |
|--|--|--|---|------------------------------|--------------------------|-----------------|
| <b>Antonio Merloni</b> spa   |  |  | UFFICIO TECNICO - via Dante, 284<br>Fabriano (AN) - Italy<br>Tel. 0732/6901 - Telefax 0732/627880 |                              | Derivato<br>/            |                 |
| Denominazione<br><b>LINEAGRAM TIM.</b>   |  |  | Disegnato<br><b>F.Fava</b>  | Controllato<br><b>F.Fava</b> | Data<br><b>09-09-00</b>  | Assieme<br>/    |
| <b>9203</b>  |  |  | Scala   | N° C.T.                      |                          | Note<br>/       |
| <b>220-230V 50Hz ASE</b>   |  |  | Codice: <b>460607100</b>  |                              | Disegno: <b>A0008800</b> |                 |
| A termine di legge ci riserviamo la proprieta' di questo con divieto di uso e riproduzione |  |  |   |                              |                          | Progetto: 0 0 0 |

N° Mod. A  
 N° C.T. Data  
 Controllato B  
 Disegnato C  
 Posizione D  
 Modifiche E  
 F



**Ersatzteilliste**


---

**Maschine**      020576003      ASCIC ELIN AS60XEC ELIN WTAC395 A 230V 50HZ
 

---

| <i>Ersatzt.</i> | <i>Pos.Expl.</i> | <i>Beschreib.</i>                    | <i>Laufzeit</i> |            | <i>Men</i> |
|-----------------|------------------|--------------------------------------|-----------------|------------|------------|
| 179000200       | ASA057           | WATTE ZUR SCHALLDAMPFUNG D.GEGENTUR  | 01/01/1900      | 05/09/1996 | 1          |
| 236001500       | ASA550           | FLANSCH MIT TROMMELWELLE             | 01/01/1900      | 31/12/4999 | 1          |
| 246005200       | ASA012           | UNTERES SCHARNIER LI-OBERES RE       | 01/01/1900      | 05/10/1995 | 2          |
| 246005300       | ASA013           | OBERES SCHARNIER LI-UNTERES RE       | 01/01/1900      | 05/10/1995 | 1          |
| 246007900       | ASA012           | UNTERES SCHARNIER LI-OBERES RE       | 05/10/1995      | 04/11/1996 | 2          |
| 246008000       | ASA013           | OBERES SCHARNIER LI-UNTERES RE       | 05/10/1995      | 04/11/1996 | 1          |
| 246010200       | ASA012           | UNTERES SCHARNIER LI-OBERES RE       | 04/11/1996      | 31/12/4999 | 1          |
| 246010300       | ASA013           | OBERES SCHARNIER LI-UNTERES RE       | 04/11/1996      | 31/12/4999 | 1          |
| 256005800       | ASA034           | MOTORSTUETZBUEGEL                    | 01/01/1900      | 31/12/4999 | 1          |
| 258002100       | ASB031           | QUERSTUCK OBERE Z.GEHAUSEBLOCKIERUNG | 01/01/1900      | 31/12/4999 | 1          |
| 262003000       | ASA011           | HALTER F. MOTORISIERTES GEBLAESE     | 01/01/1900      | 24/09/1996 | 2          |
| 262003001       | ASA011           | HALTER F. MOTORISIERTES GEBLAESE     | 24/09/1996      | 31/12/4999 | 1          |
| 268001100       | ASB670           | KONTROLLDECKELSCHUTZ                 | 01/01/1900      | 31/12/4999 | 1          |
| 268002500       | ASB350           | OBERE ZUGSTANGE Z.GEHAUSEBLOCKIERUNG | 01/01/1900      | 31/12/4999 | 2          |
| 268004300       | ASA590           | AUFNEHMER-STAHLBAND                  | 01/01/1900      | 31/12/4999 | 1          |
| 268009100       | ASB016           | TUERSCHNAPPER                        | 01/01/1900      | 23/04/1996 | 1          |
| 268011300       | ASA014           | GEGENTUER                            | 01/01/1900      | 23/04/1996 | 1          |

&lt;CONTINUE ...&gt;

**Ersatzteilliste**


---

**Maschine**      020576003      ASCIC ELIN AS60XEC ELIN WTAC395 A 230V 50HZ
 

---

| <i>Ersatzt.</i> | <i>Pos.Expl.</i> | <i>Beschreib.</i>                                     | <i>Laufzeit</i> |            | <i>Men</i> |
|-----------------|------------------|---|-----------------|------------|------------|
| 268014500       | ASA014           | GEGENTUER   | 23/04/1996      | 05/02/1997 | 1          |
| 268016200       | ASA014           | GEGENTUER   | 05/02/1997      | 23/07/1998 | 1          |
| 268019800       | ASA014           | GEGENTUER   | 23/07/1998      | 31/12/4999 | 1          |
| 268067300       | ASA049           | FEUCHTKONDENSATOR + PLATTEN                           | 01/01/1900      | 31/12/4999 | 1          |
| 270001801       | ASA015           | TUER  | 01/01/1900      | 31/12/4999 | 1          |
| 270002001       | ASB028           | VORDERE GEHAEUSEWAND                                  | 01/01/1900      | 23/04/1996 | 1          |
| 270003801       | ASB028           | VORDERE GEHAEUSEWAND                                  | 23/04/1996      | 23/07/1998 | 1          |
| 270005401       | ASB028           | VORDERE GEHAEUSEWAND                                  | 23/07/1998      | 31/12/4999 | 1          |
| 272006701       | ASB026           | SEITENPANEEL RE-LI                                    | 01/01/1900      | 31/12/4999 | 2          |
| 322025500       | ASA029           | LINKER GRIFF FUER KONDENSATOR                         | 01/01/1900      | 31/12/4999 | 5          |
| 326056600       | ASB220           | KNOPF   | 01/01/1900      | 31/12/4999 | 1          |
| 328044500       | ASB730           | TIMER-THERMOST.-ZEITREGLER-<br>DECKELPLATTENDREHKNOPF | 01/01/1900      | 31/12/4999 | 1          |
| 328046600       | ASA022           | GEHAEUSEPLATTE OBERES KONDENSWASSERBECKEN             | 01/01/1900      | 20/04/2004 | 1          |
| 328076700       | ASA022           | GEHAEUSEPLATTE OBERES KONDENSWASSERBECKEN             | 20/04/2004      | 31/12/4999 | 1          |
| 330039100       | ASB740           | PLATTE FUER THERMOSTATKNOPF                           | 01/01/1900      | 31/12/4999 | 1          |
| 330046000       | ASB540           | DECKEL F.KONTROLLE D.LUFTANSAUGUNG                    | 01/01/1900      | 31/12/4999 | 1          |
| 330052500       | ASB041           | SCHLITTENDECKEL TUERSPERRE                            | 01/01/1900      | 31/12/4999 | 1          |

**Ersatzteilliste**


---

**Maschine**      020576003      ASCIC ELIN AS60XEC ELIN WTAC395 A 230V 50HZ
 

---

| <i>Ersatzt.</i> | <i>Pos.Expl.</i> | <i>Beschreib.</i>                              | <i>Laufzeit</i> |            | <i>Men</i> |
|-----------------|------------------|--|-----------------|------------|------------|
| 330080900       | ASA037           | GEHAEUSEDECKEL DER ABLAUFpumPE                 | 01/01/1900      | 26/10/2000 | 1          |
| 332023300       | ASB210           | TASTE  | 15/11/1999      | 31/12/4999 | 3          |
| 332026500       | ASB045           | TUERDRUECKKNOPF                                | 01/01/1900      | 31/12/4999 | 1          |
| 336003700       | ASB013           | KNOPFZEIGER                                    | 01/01/1900      | 31/12/4999 | 1          |
| 340014700       | ASA340           | RAHMEN F.FILTERBEHALTER                        | 01/01/1900      | 18/10/1995 | 2          |
| 340016700       | ASA340           | RAHMEN F.FILTERBEHALTER                        | 18/10/1995      | 21/09/2003 | 2          |
| 340028200       | ASA340           | RAHMEN F.FILTERBEHALTER                        | 21/09/2003      | 31/12/4999 | 1          |
| 346008500       | ASB360           | OBERER DECKEL                                  | 01/01/1900      | 31/12/4999 | 3          |
| 350006300       | ASA016           | VERSCHLUSS-STOEPSEL BUCHSENoeffNUNGEN          | 01/01/1900      | 03/03/1998 | 2          |
| 350006400       | ASB018           | STOEPSEL EINSCHNAPPSCHLITZ                     | 01/01/1900      | 23/04/1996 | 1          |
| 350006500       | ASB021           | VERSCHLUSS-STOEPSEL D.SCHARNIERoeffNUNGEN UNTE | 01/01/1900      | 31/12/4999 | 1          |
| 350007400       | ASB044           | VERSCHLUSSTOPFEN TUERSPERRSCHLITZ              | 01/01/1900      | 31/12/4999 | 1          |
| 350007500       | ASA065           | VERSCHLUSSTOPFEN NASENSCHLITZ                  | 01/01/1900      | 05/02/1997 | 1          |
| 350009500       | ASB054           | VERSCHLUSSSTOEPSEL LOECHER OBERES SCHARNIER    | 01/01/1900      | 31/12/4999 | 1          |
| 350010100       | ASA065           | VERSCHLUSSTOPFEN NASENSCHLITZ                  | 05/02/1997      | 31/12/4999 | 1          |
| 350019700       | ASB068           | VERSCHLUSSDECKEL OEFFNUNG SICHERHEITSTHERMOST  | 01/01/1900      | 31/12/4999 | 1          |
| 352005900       | ASA005           | LAMPENSCHUTZ                                   | 01/01/1900      | 31/12/4999 | 1          |

**Ersatzteilliste**


---

**Maschine**      020576003      ASCIC ELIN AS60XEC ELIN WTAC395 A 230V 50HZ
 

---

| <i>Ersatz.</i> | <i>Pos.Expl.</i> | <i>Beschreib.</i>                   | <i>Laufzeit</i> |            | <i>Men</i> |
|----------------|------------------|-------------------------------------|-----------------|------------|------------|
| 354012000      | ASB640           | TROMMELLAGER                        | 01/01/1900      | 31/12/4999 | 2          |
| 354012100      | ASB019           | TUEREINSCHNAPPHALTERUNG             | 01/01/1900      | 23/04/1996 | 1          |
| 354013100      | ASA620           | ARMHALTERUNG                        | 01/01/1900      | 31/12/4999 | 2          |
| 356003800      | ASA064           | SCHLAUCHABLAUF                      | 01/01/1900      | 31/12/4999 | 1          |
| 398017400      | ASA610           | BURSTENHALTERARM                    | 01/01/1900      | 31/12/4999 | 2          |
| 398033800      | ASA600           | ISOLIERBAND                         | 01/01/1900      | 31/12/4999 | 1          |
| 398067100      | ASA310           | TROMMELSTREBE OHNE SONDE            | 01/01/1900      | 31/12/4999 | 1          |
| 398067200      | ASB650           | TROMMELLAGERFLANSCH                 | 01/01/1900      | 31/12/4999 | 1          |
| 398067800      | ASA530           | GLEITSCHUH FUR TROMMELHALTERUNG     | 01/01/1900      | 24/01/2000 | 2          |
| 398068100      | ASA035           | FLANSCH FUER ABDECKUNG              | 01/01/1900      | 31/12/4999 | 1          |
| 398068400      | ASA017           | HAKEN FUER TUEREINSCHNAPPER         | 01/01/1900      | 23/04/1996 | 1          |
| 398068500      | ASA025           | GEHAEUSE OBERES KONDENSWASSERBECKEN | 01/01/1900      | 19/01/1998 | 1          |
| 398068800      | ASA007           | KONDENSWASSER-SCHLAUCHHALTERBUEGEL  | 01/01/1900      | 31/12/4999 | 4          |
| 398069100      | ASA032           | KONDENSATOR-GEHAEUSEKLAPPE          | 01/01/1900      | 31/12/4999 | 1          |
| 398069200      | ASA023           | DUESE F. WASSERBEHAELTER            | 01/01/1900      | 31/12/4999 | 1          |
| 398070600      | ASA006           | LAMPENFASSUNG                       | 01/01/1900      | 01/07/1996 | 1          |
| 398070800      | ASB022           | KABELHALTER                         | 01/01/1900      | 04/04/2004 | 3          |

**Ersatzteilliste**


---

**Maschine**      020576003      ASCIC ELIN AS60XEC ELIN WTAC395 A 230V 50HZ
 

---

| <i>Ersatz.</i> | <i>Pos.Expl.</i> | <i>Beschreib.</i>                              | <i>Laufzeit</i> |            | <i>Men</i> |
|----------------|------------------|--|-----------------|------------|------------|
| 398073800      | ASA056           | FESTSTELLKN.F.VERSCHLUSSHEBEL WASSERABLAUFOEFF | 01/01/1900      | 31/12/4999 | 1          |
| 398081000      | ASA063           | SCHLAUCHKLEMME F.SCHLAUFE D.ABLAUFSCHLAUCHES   | 01/01/1900      | 31/12/4999 | 1          |
| 398081200      | ASA061           | GLEITSCHUH TROMMELSTUETZE GESENKT              | 01/01/1900      | 21/09/2003 | 4          |
| 398081300      | ASB043           | BEHAELTER TUERSPERRE                           | 01/01/1900      | 31/12/4999 | 1          |
| 398081400      | ASB042           | TUERSPERRKLINKE                                | 01/01/1900      | 31/12/4999 | 1          |
| 398081500      | ASB039           | TUERSPERRSCHLITTEN                             | 01/01/1900      | 31/12/4999 | 1          |
| 398081600      | ASA062           | TUERSPERRSNASE                                 | 01/01/1900      | 05/02/1997 | 1          |
| 398099400      | ASA062           | TUERSPERRSNASE                                 | 05/02/1997      | 31/12/4999 | 1          |
| 398114100      | ASA025           | GEHAEUSE OBERES KONDENSWASSERBECKEN            | 19/01/1998      | 31/12/4999 | 1          |
| 398156100      | ASA042           | SICHERHEITSSCHWIMMER                           | 01/01/1900      | 31/12/4999 | 1          |
| 398198600      | ASB029           | STOEPSSEL F. KONTROLLDECKEL                    | 01/01/1900      | 31/12/4999 | 1          |
| 398198600      | ASA580           | HALTESTOPSEL FUR FADENSONDE                    | 01/01/1900      | 31/12/4999 | 2          |
| 398241000      | ASB022           | KABELHALTER                                    | 04/04/2004      | 31/12/4999 | 1          |
| 402000600      | ASB023           | STOEPSSEL F. KABELDURCHGANG F. WIDERSTAND      | 01/01/1900      | 31/12/4999 | 1          |
| 402014200      | ASA018           | DICHTUNG HINTERER RAHMEN                       | 01/01/1900      | 31/12/4999 | 1          |
| 402014300      | ASA043           | DICHTUNG VORDERER RAHMEN                       | 01/01/1900      | 31/12/4999 | 1          |
| 402014400      | ASA033           | KONDENSATOR-KLAPPENDICHTUNG                    | 01/01/1900      | 31/12/4999 | 1          |

**Ersatzteilliste**


---

**Maschine**      020576003      ASCIC ELIN AS60XEC ELIN WTAC395 A 230V 50HZ
 

---

| <i>Ersatzt.</i> | <i>Pos.Expl.</i> | <i>Beschreib.</i>                              | <i>Laufzeit</i> |            | <i>Men</i> |
|-----------------|------------------|--|-----------------|------------|------------|
| 402014500       | ASA047           | KONDENSATOR-GEHAEUSEDICHTUNG                   | 01/01/1900      | 31/12/4999 | 1          |
| 402015400       | ASB024           | TROMMELFLANSCHHALTER-DICHTUNG                  | 01/01/1900      | 31/12/4999 | 1          |
| 402015700       | ASA048           | ABDECKUNGSDICHTUNG                             | 01/01/1900      | 31/12/4999 | 1          |
| 402015800       | ASA031           | VORDERE KONDENSATOR-DICHTUNG                   | 01/01/1900      | 31/12/4999 | 1          |
| 402017300       | ASB027           | DICHTUNG RUECKWAERTIGER FOERDERER              | 01/01/1900      | 31/12/4999 | 1          |
| 402017500       | ASA200           | VENTILATORFLUGEL F. SCHNECKE+EINSATZ           | 01/01/1900      | 10/01/2000 | 1          |
| 402018700       | ASA027           | FLANSCHDICHTUNG DER MOTORABDECKUNG             | 01/01/1900      | 31/12/4999 | 1          |
| 402030500       | ASA052           | HINTERE KONDENSATORDICHTUNG                    | 01/01/1900      | 31/12/4999 | 1          |
| 402031800       | ASA200           | VENTILATORFLUGEL F. SCHNECKE+EINSATZ           | 10/01/2000      | 31/12/4999 | 1          |
| 414006000       | ASA008           | ZULAUFSCHLAUCH PUMPE-KONDENSWASSERBECKEN       | 01/01/1900      | 31/12/4999 | 1          |
| 414006100       | ASA009           | ZULAUFSCHL.GEHAEUSE KONDENSW.B.-PUMPENGEHAEUSI | 01/01/1900      | 19/01/1998 | 1          |
| 414009900       | ASA009           | ZULAUFSCHL.GEHAEUSE KONDENSW.B.-PUMPENGEHAEUSI | 19/01/1998      | 31/12/4999 | 1          |
| 416001300       | ASA290           | TREIBRIEMEN                                    | 01/01/1900      | 31/12/4999 | 1          |
| 432004600       | ASB047           | SCHRAUBE LAMELLE FASTONHALTER                  | 01/01/1900      | 24/09/1997 | 2          |
| 432004700       | ASB047           | SCHRAUBE LAMELLE FASTONHALTER                  | 24/09/1997      | 02/02/2004 | 2          |
| 432006100       | ASA420           | BEFESTIGUNGSSCHRAUBE F.STREBE                  | 01/01/1900      | 11/01/2004 | 9          |
| 432007100       | ASA390           | MOTOR-BEFESTIGUNGSSCHRAUBE                     | 01/01/1900      | 31/12/4999 | 4          |

**Ersatzteilliste**


---

**Maschine**      020576003      ASCIC ELIN AS60XEC ELIN WTAC395 A 230V 50HZ
 

---

| <i>Ersatz.</i> | <i>Pos.Expl.</i> | <i>Beschreib.</i>                                     | <i>Laufzeit</i> |            | <i>Men</i> |
|----------------|------------------|---|-----------------|------------|------------|
| 432009400      | ASA480           | GEHAUSE-BEFESTIGUNGSSCHRAUBE                          | 01/01/1900      | 03/11/1995 | 12         |
| 432011400      | ASA480           | GEHAUSE-BEFESTIGUNGSSCHRAUBE                          | 03/11/1995      | 13/12/1995 | 12         |
| 432014800      | ASA480           | GEHAUSE-BEFESTIGUNGSSCHRAUBE                          | 13/12/1995      | 31/12/4999 | 12         |
| 432028200      | ASB047           | SCHRAUBE LAMELLE FASTONHALTER                         | 02/02/2004      | 04/04/2004 | 1          |
| 432028400      | ASB250           | TIMER-BEFESTIGUNGSSCHRAUBE                            | 01/01/1900      | 31/12/4999 | 4          |
| 432030900      | ASA420           | BEFESTIGUNGSSCHRAUBE F.STREBE                         | 11/01/2004      | 31/12/4999 | 9          |
| 434001500      | ASA110           | BEFESTIGUNGSMUTTER F.MOTORWELLE VENTILATOR-<br>FLUGEL | 01/01/1900      | 10/01/2000 | 1          |
| 434002100      | ASA110           | BEFESTIGUNGSMUTTER F.MOTORWELLE VENTILATOR-<br>FLUGEL | 10/01/2000      | 31/12/4999 | 1          |
| 436000900      | ASA077           | UNTERLEGSCHIEBE ZUR FIXIERUNG FLUEGELRAD MOTOR        | 01/01/1900      | 18/02/2000 | 1          |
| 438001000      | ASA071           | NIET FUER FLANSCH TROMMEL                             | 01/01/1900      | 31/12/4999 | 6          |
| 440000200      | ASA068           | SCHLAUCHSCHELLE                                       | 01/01/1900      | 31/12/4999 | 4          |
| 441011700      | ASA019           | SCHARNIERBUCHSE                                       | 01/01/1900      | 04/11/1996 | 2          |
| 441011800      | ASA053           | SPERR-RING DES SCHWIMMERS                             | 01/01/1900      | 31/12/4999 | 1          |
| 441015500      | ASB038           | SCHLITTENANSCHLAG TUERSPERRE                          | 01/01/1900      | 31/12/4999 | 1          |
| 441017300      | ASA019           | SCHARNIERBUCHSE                                       | 04/11/1996      | 31/12/4999 | 4          |
| 443002600      | ASA640           | ARMANGEL  | 01/01/1900      | 31/12/4999 | 2          |
| 443004500      | ASA051           | SCHARNIERSTIFT  | 01/01/1900      | 04/11/1996 | 2          |

&lt;CONTINUE ...&gt;

**Ersatzteilliste**


---

**Maschine**      020576003      ASCIC ELIN AS60XEC ELIN WTAC395 A 230V 50HZ
 

---

| <i>Ersatzt.</i> | <i>Pos.Expl.</i> | <i>Beschreib.</i>                           | <i>Laufzeit</i> |            | <i>Men</i> |
|-----------------|------------------|---|-----------------|------------|------------|
| 444001000       | ASA570           | FEDER FUR BURSTENHALTERARM                  | 01/01/1900      | 31/12/4999 | 2          |
| 444001700       | ASA560           | BANDEINHAKFEDER                             | 01/01/1900      | 19/09/2000 | 1          |
| 444001800       | ASA024           | FEDER F.WASSERBEHAELTER                     | 01/01/1900      | 31/12/4999 | 1          |
| 444003200       | ASB750           | ZEITREGLER-THERMOSTAT/TIM-DREHKNOPFFEDER    | 01/01/1900      | 31/12/4999 | 2          |
| 444005700       | ASB067           | DREHKNOPFRUECKHALTEFEDER                    | 01/01/1900      | 31/12/4999 | 1          |
| 444010400       | ASA055           | VERSCHLUSSHEBELFEDER D.WASSERABLAUFOEFFNUNG | 01/01/1900      | 31/12/4999 | 1          |
| 444011000       | ASB036           | EINHAENGEHFEDER TUERSPERRE                  | 01/01/1900      | 31/12/4999 | 1          |
| 444011100       | ASB037           | SCHLITTENFEDER TUERSPERRE                   | 01/01/1900      | 31/12/4999 | 2          |
| 444016400       | ASA560           | BANDEINHAKFEDER                             | 19/09/2000      | 31/12/4999 | 1          |
| 450001700       | ASA250           | FUSSCHEN F. NIVEAU-AUSGLEICH                | 01/01/1900      | 31/12/4999 | 4          |
| 460600550       | LVZ000           | ELEKTRISCHER SCHALTPLAN                     | 01/01/1900      | 31/12/4999 | 1          |
| 461306316       | ASA067           | GEBRAUCHSANWEISUNG                          | 01/01/1900      | 31/12/4999 | 1          |
| 466000052       | LVD036           | SERVICE MANUAL WÄSCHETROCKNER               | 01/01/1900      | 31/12/4999 | 1          |
| 470010100       | ASZ001           | UNTERE VERPACKUNGS-UMHUELLUNG               | 01/01/1900      | 31/12/4999 | 1          |
| 470010200       | ASZ002           | OBERE VERPACKUNGS-UMHUELLUNG                | 01/01/1900      | 31/12/4999 | 1          |
| 474005000       | ASA260           | UNTERGESTELL                                | 01/01/1900      | 24/09/1996 | 1          |
| 474005100       | ASA260           | UNTERGESTELL                                | 24/09/1996      | 31/12/4999 | 1          |

&lt;CONTINUE ...&gt;



**Ersatzteilliste**


---

**Maschine**      020576003      ASCIC ELIN AS60XEC ELIN WTAC395 A 230V 50HZ
 

---

| <i>Ersatzt.</i> | <i>Pos.Expl.</i> | <i>Beschreib.</i>                        | <i>Laufzeit</i> |            | <i>Men</i> |
|-----------------|------------------|--|-----------------|------------|------------|
| 476006700       | ASZ004           | HINTERES WINKELPROFIL RECHTS-LINKS       | 01/01/1900      | 31/12/4999 | 2          |
| 476006800       | ASZ003           | VORDERES WINKELPROFIL RECHTS-LINKS       | 01/01/1900      | 31/12/4999 | 2          |
| 499006200       | ASA044           | FILZ FUER TROMMELRAHMEN                  | 01/01/1900      | 31/12/4999 | 1          |
| 499010300       | ASA054           | VERSCHLUSSHEBEL DER WASSERABLAUFOEFFNUNG | 01/01/1900      | 31/12/4999 | 1          |
| 502004100       | ASA038           | MIKROSCHALTER DER ABLAUFPUMPE            | 01/01/1900      | 31/12/4999 | 1          |
| 504002600       | ASB046           | LAMELLE FASTONHALTER                     | 01/01/1900      | 31/12/4999 | 2          |
| 508000200       | ASB430           | VERSORGUNGSKABEL                         | 01/01/1900      | 31/12/4999 | 1          |
| 512006600       | ASA002           | MOTORISIERTES GEBLAESE                   | 01/01/1900      | 31/12/4999 | 1          |
| 512012900       | ASA120           | MOTOR                                    | 01/01/1900      | 31/12/4999 | 1          |
| 516009000       | ASB290           | TIMER                                    | 01/01/1900      | 31/12/4999 | 1          |
| 522000200       | ASB015           | SCHALTKNOPFTAFEL FUER ABLAUFPUMPE        | 01/01/1900      | 31/12/4999 | 1          |
| 522004500       | ASB340           | DRUCK KNOPFTAFEL                         | 18/09/2006      | 31/12/4999 | 1          |
| 522004502       | ASB210           | TASTE                                    | 01/01/1900      | 15/11/1999 | 1          |
| 522004602       | ASB330           | DRUCKKNOPFTAFEL ON-OFF                   | 01/01/1900      | 31/12/4999 | 1          |
| 526008900       | ASB030           | THERMOSTAT MIT MAXIMUMEINSTELLUNG        | 01/01/1900      | 31/12/4999 | 1          |
| 526014400       | ASB006           | SCHUTZTHERMOSTAT MANUELLE RUECKSETZUNG   | 01/01/1900      | 31/12/4999 | 1          |
| 530000900       | ASB590           | MIKROTUR                                 | 01/01/1900      | 31/12/4999 | 1          |

**Ersatzteilliste**


---

**Maschine**      020576003      ASCIC ELIN AS60XEC ELIN WTAC395 A 230V 50HZ
 

---

| <i>Ersatz.</i> | <i>Pos.Expl.</i> | <i>Beschreib.</i>                       | <i>Laufzeit</i> |            | <i>Men</i> |
|----------------|------------------|---|-----------------|------------|------------|
| 532000200      | ASB300           | FUNKENTSTORUNGSKONDENSATOR              | 01/01/1900      | 31/12/4999 | 1          |
| 532001400      | ASA150           | MOTOR-KONDENSATOR                       | 01/01/1900      | 30/10/1996 | 0          |
| 532001900      | ASA036           | MOTORISIERTES GEBLAESE DES KONDENSATORS | 01/01/1900      | 31/12/4999 | 1          |
| 532002800      | ASA150           | MOTOR-KONDENSATOR                       | 30/10/1996      | 31/12/4999 | 0          |
| 540002200      | ASA004           | TROMMELBELEUCHTUNG                      | 01/01/1900      | 31/12/4999 | 1          |
| 542001200      | ASB450           | KLEMMENBRETT                            | 01/01/1900      | 31/12/4999 | 1          |
| 556000300      | ASB010           | VERKABELUNG                             | 01/01/1900      | 31/12/4999 | 1          |
| 704009600      | ASA300           | TROMMEL-GRUPPE                          | 01/01/1900      | 31/12/4999 | 1          |
| 720022000      | ASA630           | AUFNEHMER-BURSTE                        | 01/01/1900      | 31/12/4999 | 2          |
| 720077600      | ASB580           | RUCKWARTIGE DECKEL-GRUPPE               | 01/01/1900      | 24/09/1996 | 1          |
| 720077601      | ASB580           | RUCKWARTIGE DECKEL-GRUPPE               | 24/09/1996      | 31/12/4999 | 1          |
| 720078000      | ASA045           | VORDERE TROMMELDICHTUNG                 | 01/01/1900      | 18/10/1995 | 2          |
| 720078100      | ASB025           | RUECKWAERTIGE TROMMELDICHTUNG           | 01/01/1900      | 31/12/4999 | 1          |
| 720078400      | ASA320           | TROMMELRIPPE MIT SONDE                  | 01/01/1900      | 02/05/2005 | 2          |
| 720079700      | ASA021           | FILTEROEFFNUNG+PLATTE                   | 01/01/1900      | 31/12/4999 | 1          |
| 720088500      | ASB071           | GESAMTHEIT LUFTZULEITUNG HINTEN         | 01/01/1900      | 31/12/4999 | 1          |
| 720089000      | ASB017           | RUECKWAERTIGER LUFTFOERDERER            | 01/01/1900      | 24/09/1996 | 1          |

&lt;CONTINUE ...&gt;

**Ersatzteilliste**


---

**Maschine**      020576003      ASCIC ELIN AS60XEC ELIN WTAC395 A 230V 50HZ
 

---

| <i>Ersatz.</i> | <i>Pos.Expl.</i> | <i>Beschreib.</i>                              | <i>Laufzeit</i> |            | <i>Men</i> |
|----------------|------------------|--|-----------------|------------|------------|
| 720089001      | ASB017           | RUECKWAERTIGER LUFTFOERDERER                   | 24/09/1996      | 31/12/4999 | 1          |
| 720099200      | ASB048           | TUERSPERRMECHANISMUS                           | 01/01/1900      | 31/12/4999 | 1          |
| 720101200      | ASB049           | STOPFEN TUERSPERRSCHLITZ                       | 01/01/1900      | 31/12/4999 | 1          |
| 720104400      | ASA045           | VORDERE TROMMELDICHTUNG                        | 18/10/1995      | 31/12/4999 | 1          |
| 720171900      | ASB056           | SATZ WIDERSTAND MIT THERMOSTATEN               | 01/01/1900      | 31/12/4999 | 1          |
| 720209700      | ASA028           | KONDENSATORGEHAEUSE                            | 01/01/1900      | 31/12/4999 | 1          |
| 720240600      | ASA530           | GLEITSCHUH FUR TROMMELHALTERUNG                | 24/01/2000      | 09/05/2006 | 2          |
| 720241800      | ASA078           | LUEFTERRADGESAMTHEIT+MUTTER UND UNTERLEGSCHIEB | 01/01/1900      | 31/12/4999 | 1          |
| 720480500      | ASA076           | BAUGRUPPE KONDENSWASSERPUMPE MIT DECKEL        | 01/01/1900      | 31/12/4999 | 1          |
| 720488800      | ASA320           | TROMMELRIPPE MIT SONDE                         | 02/05/2005      | 31/12/4999 | 2          |
| 725003300      | ASB560           | WIDERSTAND                                     | 01/01/1900      | 31/12/4999 | 1          |
| 728001600      | ASA026           | WASSERAUFFANGSCHALE                            | 01/01/1900      | 19/04/2004 | 1          |
| 728001800      | ASA450           | FILTERBEHALTER                                 | 01/01/1900      | 31/12/4999 | 1          |
| 750354000      | LVK081           | KIT AUSTAUSCH RUECKSEITIGE TROMMELDICHTUNG     | 01/01/1900      | 31/12/4999 | 1          |
| 750355700      | ASA530           | GLEITSCHUH FUR TROMMELHALTERUNG                | 09/05/2006      | 31/12/4999 | 0          |
| 750368900      | ASA046           | SCHALENFILTER F. TROMMELSTUETZRAHMEN           | 01/01/1900      | 31/12/4999 | 0          |
| 804659491      | ASB270           | ARMATURENBRETT                                 | 01/01/1900      | 31/12/4999 | 1          |

**Ersatzteilliste**

---

**Maschine** 020576003 ASCIC ELIN AS60XEC ELIN WTAC395 A 230V 50HZ

---

| <i><b>Ersatz.</b></i> | <i><b>Pos.Expl.</b></i> | <i><b>Beschreib.</b></i>  | <i><b>Laufzeit</b></i> |            | <i><b>Men</b></i> |
|-----------------------|-------------------------|---------------------------|------------------------|------------|-------------------|
| 806322200             | ASB014                  | GRIFF KONDENSWASSERBECKEN | 01/01/1900             | 31/12/4999 | 1                 |
| 812181400             | ASB360                  | OBERER DECKEL             | 01/01/1900             | 31/12/4999 | 1                 |
| 998026700             | ASB340                  | DRUCK KNOPFTAFEL          | 01/01/1900             | 18/09/2006 | 1                 |