

Spare Parts Catalogue

Washing machine

Type: WM70.1

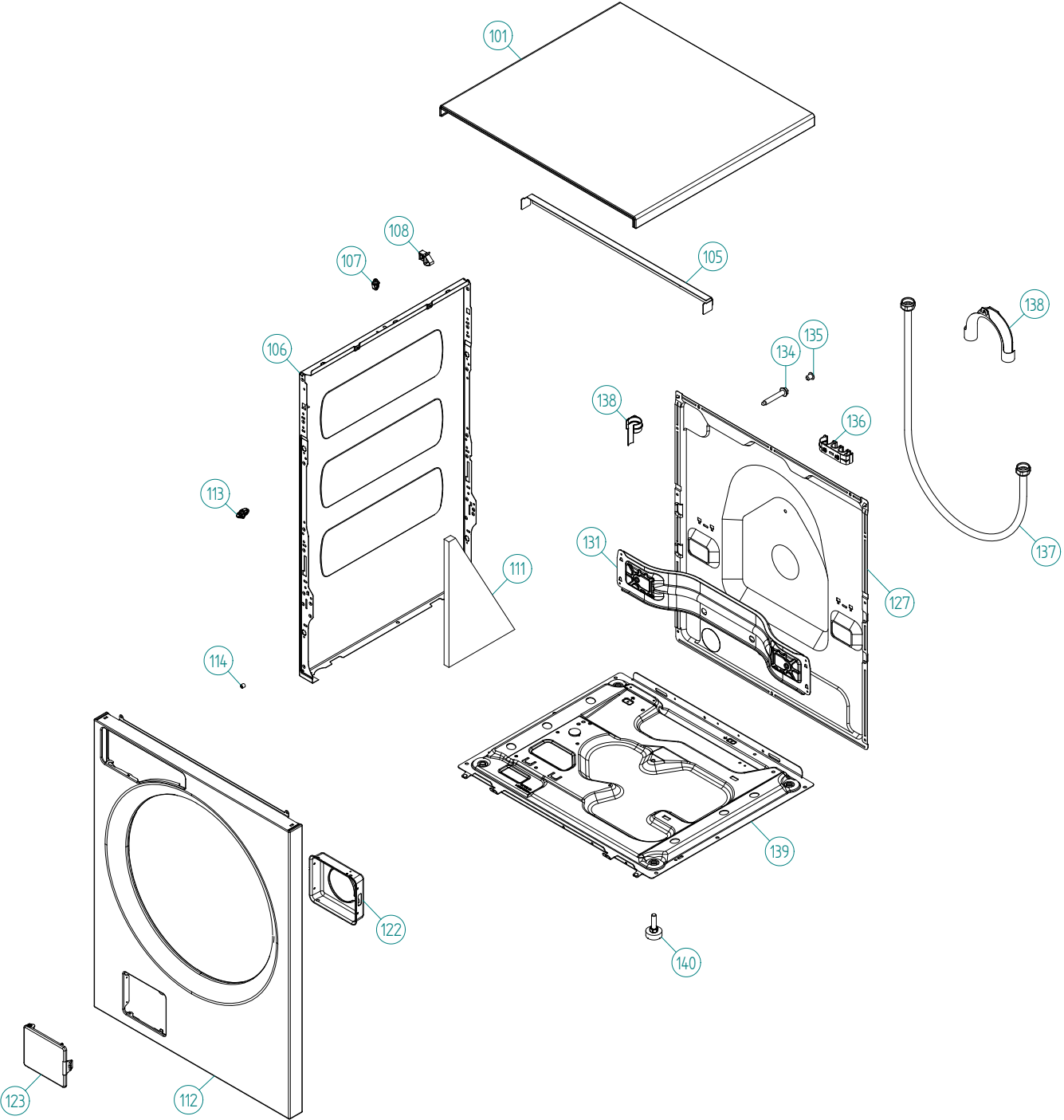
Model: Sparmeister WM 144 AT White

Prod. No: 330644400

February 24th 2011

Asko Cylinda AB/After Sales

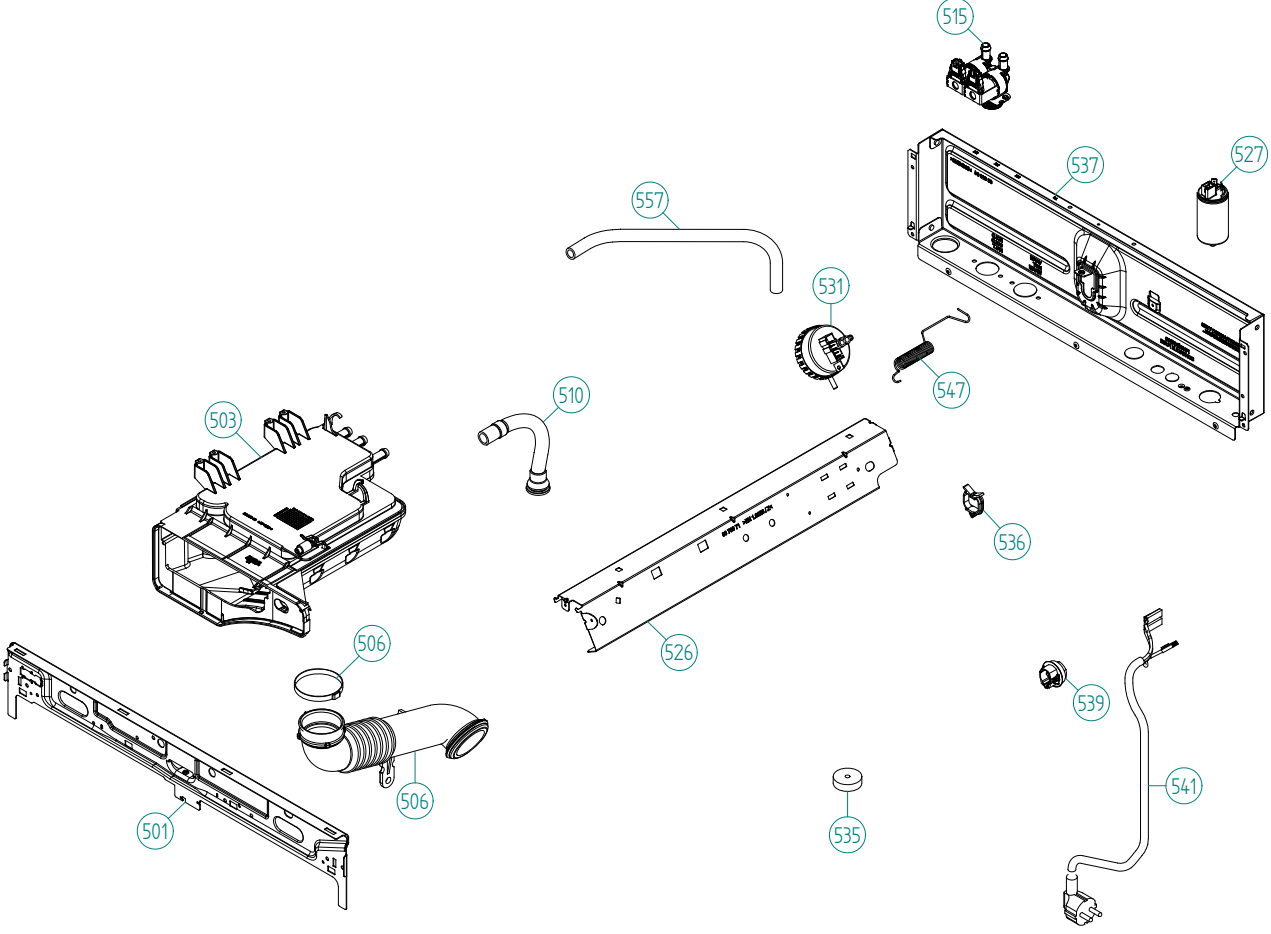
Box 344 Axvallagatan 3 SE-532 24 SKARA



Outer casing

Eudora, Sparmeister WM 144 AT - White (WM70.1)

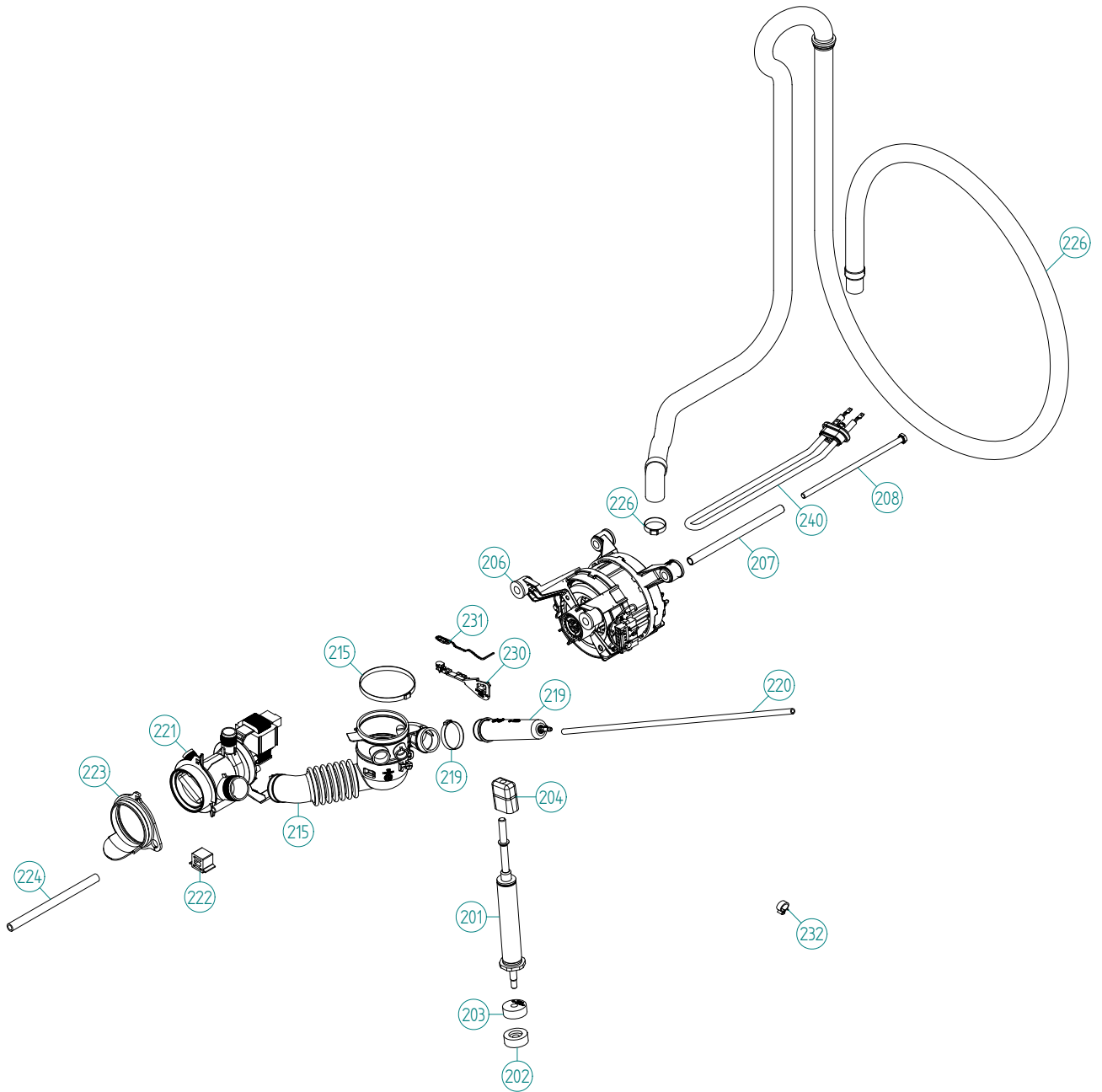
Pos	Spare part No.	Description	Qty	Comment
101	8061817-0	TOP COVER WHITE	1 Pc's	
101-a	8900338	SCREW Repl.by 8902362	3 Pc's	
101-b	8901413	LOCK WASHER AZ 4,3 GALV	2 Pc's	
105	8064198	SUPPORT BEAM, TOP COVER	1 Pc's	
105-a	8064255	SPONGE RUBBER STRIP 2X8 L=272	1 Pc's	
106	8801174-0	SIDE PLATE COMPL. WM20	2 Pc's	
107	8061763	GUIDE FRONT PLATE/TOP COVER	2 Pc's	
108	8061916	CABLE HOLDER WMD20 UL4	2 Pc's	
111	8064017	SOUND DEAD.SHEET OUTLET HOSE	1 Pc's	
112	8080117-0	FRONT WITHOUT DOOR COMPL.	1 Pc's	
112-a	8900338	SCREW Repl.by 8902362	2 Pc's	
112-b	8900327	SCREW RTS ST 4,2X13 FZB T20	2 Pc's	
113	8080197	PLASTIC BRACKET FRONT PLATE	2 Pc's	
114	8064222	PLASTIC GUIDE FRONT PLATE	2 Pc's	
114-a	8900327	SCREW RTS ST 4,2X13 FZB T20	2 Pc's	
122	8061785	PUMP GUARD WM20	1 Pc's	
123	8061657-0	DOOR OUTLET PUMP WM20 UL4	1 Pc's	
127	8061737	REAR PANEL WM20	1 Pc's	
127	8801466	REAR PANEL COMPL. WM20/60/70	1 Pc's	
127-b	8900338	SCREW Repl.by 8902362	11 Pc's	
131	8088291	BEAM TRANSPORT BRACE WM70	1 Pc's	
134	8088277	SCREW M10X65 TT FZB	3 Pc's	
135	8088467	PLUG TRANSPORT LOCKING	3 Pc's	
136	8065773	HOSE FRAME REAR COVER	2 Pc's	
137	8056647	CONNECTION PIPE 3/4"-3/4"	1 Pc's	
138	8088270	HOSE HOLDER SIDEPLATE	2 Pc's	
138	8050805	HALTERUNG, SCHLAUCH UL4	1 Pc's	
138-a	8002263	KABELSTREIFEN 200 MM	1 Pc's	
139	8061618	BOTTOM WMD20	1 Pc's	
140	8059334	RUBBER FOOT D35xM10 INC. NUT	4 Pc's	



Upper session

Eudora, Sparmeister WM 144 AT - White (WM70.1)

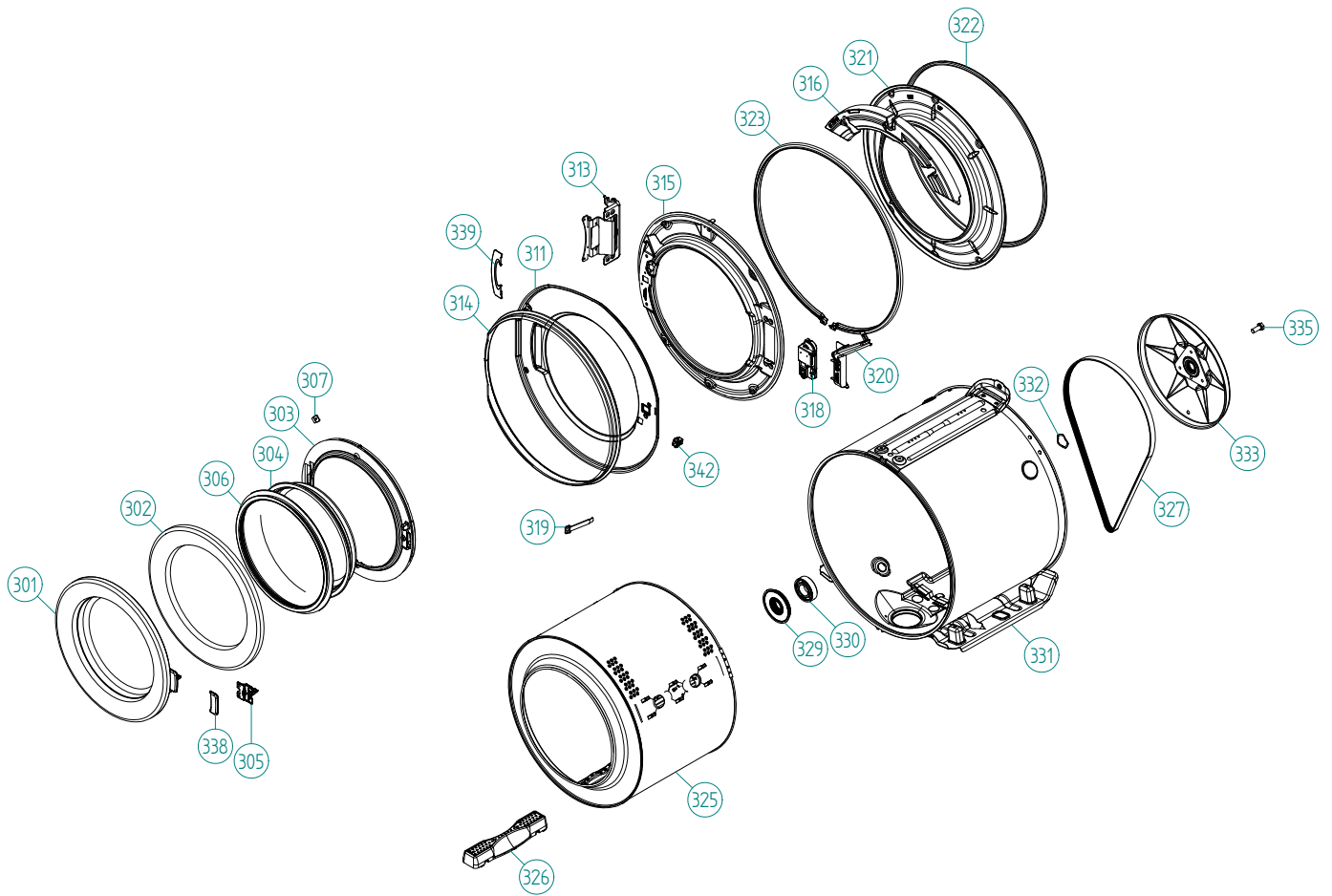
Pos	Spare part No.	Description	Qty	Comment
501	8076029	FRONTBEAM	1 Pc's	
501-a	8900338	SCREW Repl.by 8902362	2 Pc's	
501-b	8901413	LOCK WASHER AZ 4,3 GALV	2 Pc's	
503	8081666	DETERGENT COMPARTMENT COMPL.	1 Pc's	
503-a	8901970	SCREW PTK 40X12 A2 WN1452 T20	1 Pc's	
503-b	8902072	SCREW PT KB40X10 WN1442 GALV	1 Pc's	
506	8064692	BELLOW HOSE INLET UL4	1 Pc's	
506-a	8063607	HOSE CLIP 57,5	1 Pc's	
510	8061736	VENTILATION HOSE WM20 UL4	1 Pc's	
510-a	8052730	HOSE CLIP 21,0	1 Pc's	
515	8083880	INLET VALVE 2-WAY	1 Pc's	
515-a	8901097	SCREW MRT-TT 4X10 FZB T20	2 Pc's	
526	8078971	UNIT FOR ELECTR. COMP.	1 Pc's	
527	8076202	EMC-FILTER WITH INDUCTOR	1 Pc's	
527-a	8901155	NUT M6M8 BH8 GALV	1 Pc's	
527-b	8901419	LOCK WASHER AZ 8,4 GALV	1 Pc's	
529	8079716	CABLE SET N AP LL WM UL4	1 Pc's	
529	8079717	CABLE SET EL WM UL4	1 Pc's	
529	8082568	CABLE SET P WM UL4	1 Pc's	
529	8084487	GROUND CABLE WM UL4	1 Pc's	
529	8084188	CABLE SET IV WM60.1 UL4	1 Pc's	
531	8089765	LEVEL SWITCH WM70.1	1 Pc's	
535	8061997	GUARD, LEVELSWITCH HOSE WM20	2 Pc's	
536	8061975	CABLE HOLDER BIG	1 Pc's	
537	8089748	CROSS BEAM	1 Pc's	
537-a	8900327	SCREW RTS ST 4,2X13 FZB T20	5 Pc's	
539	8006948	DICHTSCHEIBE Z13	1 Pc's	
541	8073768	CORD SET EU 10A	1 Pc's	
547	8089723	BALANCING SPRING	2 Pc's	
557	8058502	RUBBER HOSE 10X15X360 UL1	2 Pc's	



Lower session

Eudora, Sparmeister WM 144 AT - White (WM70.1)

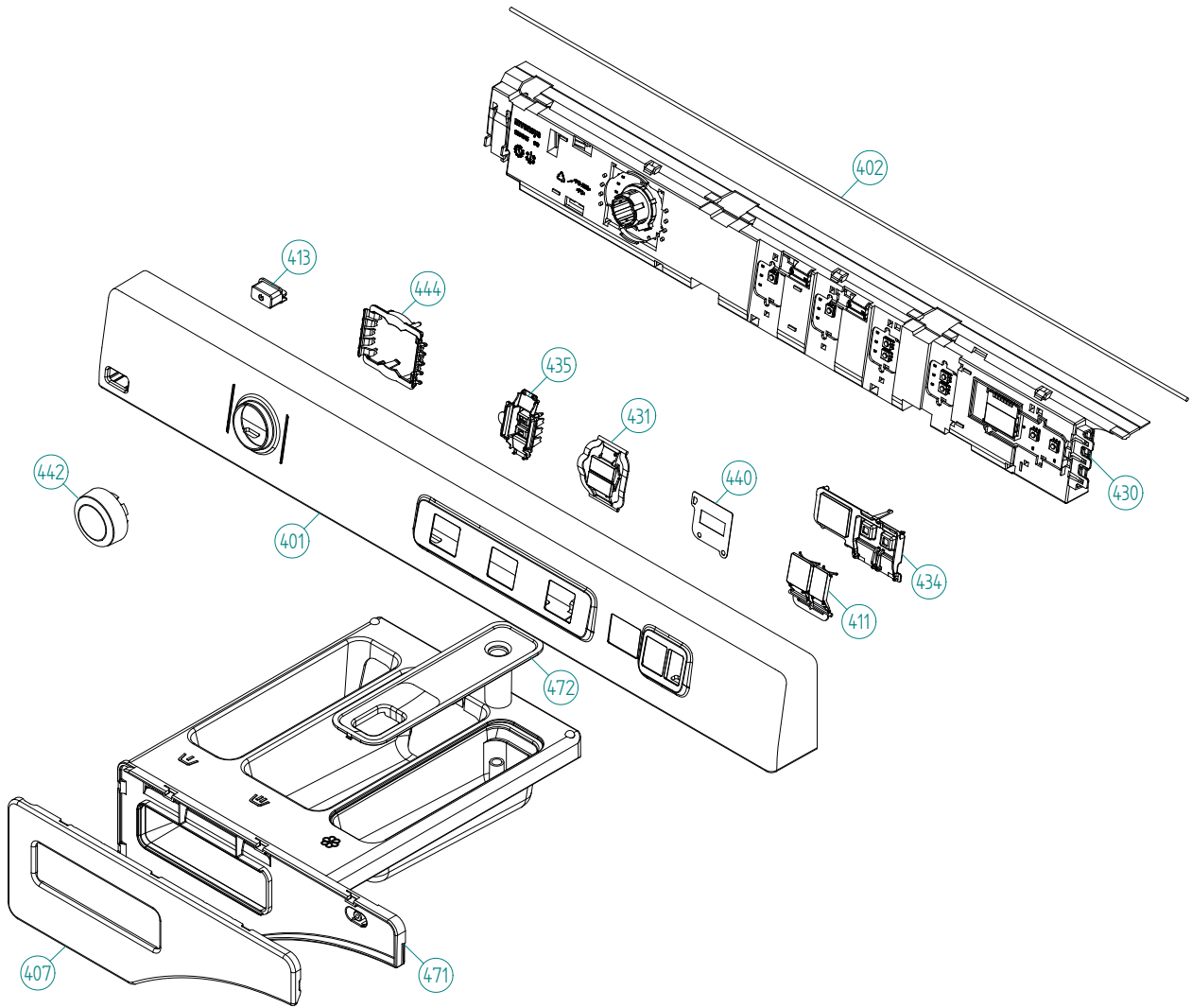
Pos	Spare part No.	Description	Qty	Comment
201	8801454	SPRINGLEG KIT WM70	1 Pc's	
202	8088443	RUBBER BUFFER SPRING LEG FEMA.	4 Pc's	
203	8088444	RUBBER BUFFER SPRING LEG MALE	4 Pc's	
204	8088445	RUBBER DAMPER PISTON ROD	4 Pc's	
206	8088642	MOTOR 50HZ WM70	1 Pc's	
207	8058261	SPAC.TUBE MOTOR SUSP. 12X191	2 Pc's	
208	8063591	SCREW 8.8 M8x205 FZB	2 Pc's	
215	8076733	BELLOWS HOSE PUMP VAR.1 UL4	1 Pc's	
215-a	8063262	HOSE CLIP 80.0-708	1 Pc's	
215-b	8056471	HOSE CLIP 42,5	1 Pc's	
215-c	8052083	HOSE CLIP Repl.by 8084609	1 Pc's	
219	8061924	PRESSURE CHAMBER WM20 UL4	1 Pc's	
219-c	8052083	HOSE CLIP Repl.by 8084609	1 Pc's	
220	8082882	RUBBER HOSE 5X8X610	1 Pc's	
221	8801263	DRAIN PUMP COMPL. SYNCR. 50HZ	1 Pc's	
221-a	8801186	SEAL PUMP INSERT HANNING SYNC.	1 Pc's	
221-b	8801185	PUMP INSERT HANNING SYNC. WM20	1 Pc's	
222	8061649	RUBBER BUFFER,DRAIN PUMP WM20	2 Pc's	
223	8061796	RUBBER RING DRAINPUMP WM20	1 Pc's	
224	8061725	DRAIN HOSE 190mm WM20	1 Pc's	
224-a	8052731	HOSE CLIP 14,8	1 Pc's	
226	8061998	OUTLET HOSE WM20 UL4	1 Pc's	
226-a	8056491	HOSE CLIP 30,1	1 Pc's	
230	8090238	HOLDER THERMISTOR	1 Pc's	
231	8801474	THERMISTOR COMPL. W. HOLDER	1 Pc's	
231	8089949	THERMISTOR WM	1 Pc's	
232	8061976	CABLE HOLDER SMALL	2 Pc's	
240	8061706	HEATING ELEMENT 2000W 230V UL4	1 Pc's	



Cylinder and related parts

Eudora, Sparmeister WM 144 AT - White (WM70.1)

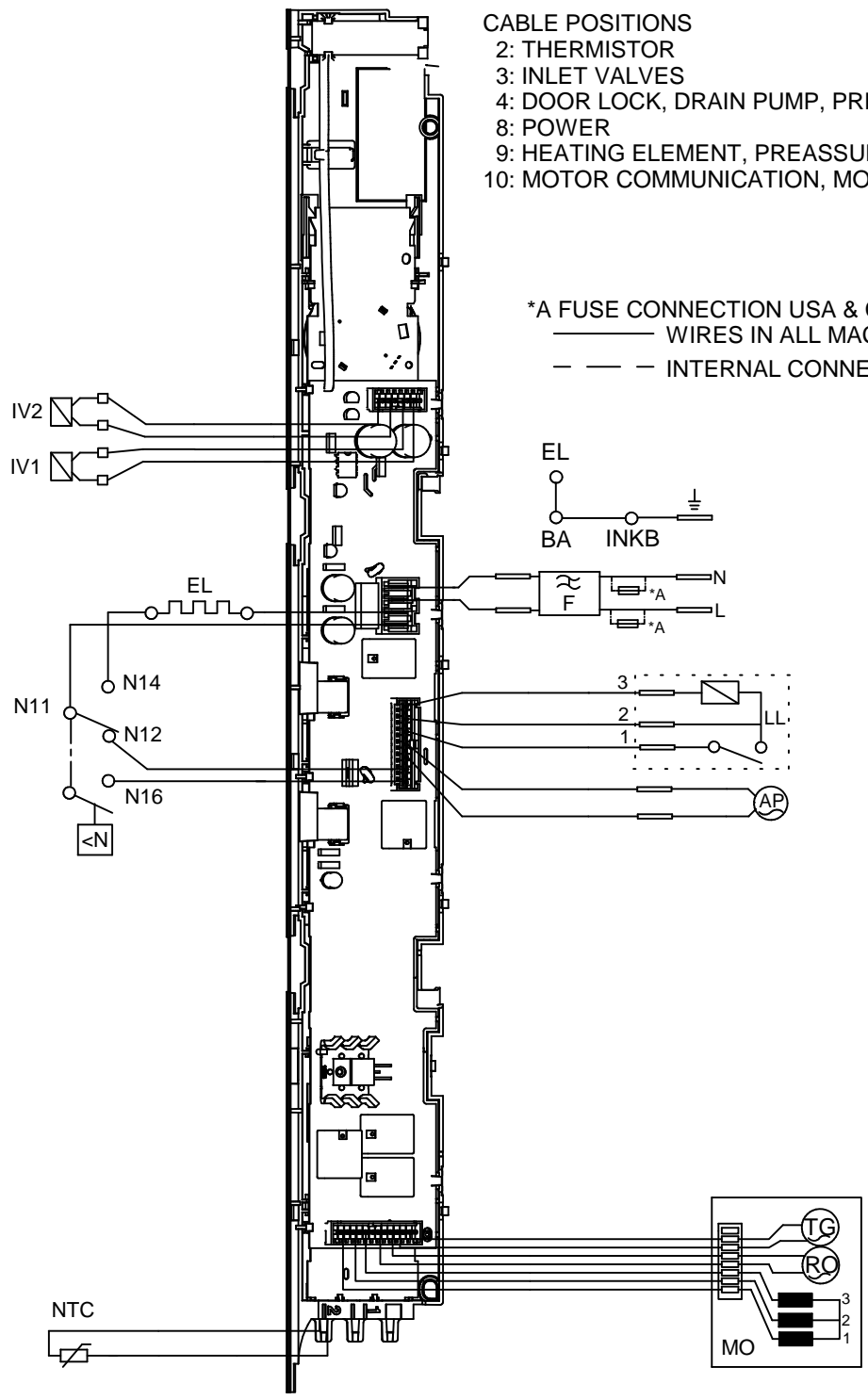
Pos	Spare part No.	Description	Qty	Comment
301	8081875-85	FRONT DOOR COMPL.	1 Pc's	
302	8076548-85	FRAME FRONT DOOR OUTER PART	1 Pc's	
303	8076547-49	FRAME FRONT DOOR INNER PART	1 Pc's	
304	8061685	FRONT GLASS D306x42mm WM20	1 Pc's	
305	8078973	LOCK HOOK	1 Pc's	
306	8081128	SEALING FRONT DOOR WM60	1 Pc's	
307	8801321	KIT SECURING PLATE FRONT GLASS	1 Pc's	
311	8076560-0	COVER PLATE OUTER WHITE	1 Pc's	
313	8079471	HINGE COMPL.	1 Pc's	
313-a	8079877	SCREW MFT 8.8 M5X10 FZB	4 Pc's	
313-b	8901097	SCREW MRT-TT 4X10 FZB T20	2 Pc's	
314	8076561-49	GAP SEALING	1 Pc's	
315	8081693	COVER PLATE INNER WM70	1 Pc's	
316	8076563	BALANCE WEIGHT 5,1 KG	2 Pc's	
316-a	8901135	SCREW M6SF-TT 8X25 FZB	4 Pc's	
318	8079873	DOOR LOCK	1 Pc's	
318-a	8902087	SCREW PTK 40X14 WN1452 FZB T20	2 Pc's	
319	8076566	EMERGENCY OPENER DOOR LOCK	1 Pc's	
320	8079959-UL	COVER DOOR LOCK	1 Pc's	
321	8081689	FRONT GABLE CONTAINER WM70	1 Pc's	
322	8081696	SEALING STRIP FRONT GABLE WM70	1 Pc's	
323	8081695-P	TENSIONRING WM70	1 Pc's	
325	8081676-P	DRUM D480 COMPL. WM70	1 Pc's	
326	8081678	DRUM PADDLE WM70	3 Pc's	
327	8081649	DRIVE BELT J5 1225	1 Pc's	
329	8801276	KIT SEALING CASSETTE	1 Pc's	
330	8056314	BALL BEARING 6206 2RS MTSRL	2 Pc's	
331	8801455	CONTAINER COMPL. WM70 1 EL.	1 Pc's	
332	8056810	SCALE WASHER 37x30,5x0,5	1 Pc's	
333	8056376	PULLEY COMPL. D292	1 Pc's	
335	8901052	SCREW BUFO 8,8 10X25 GALV	1 Pc's	
338	8078975-85	COVER LOCK HOOK	1 Pc's	
339	8079283-0	HINGE COVER	1 Pc's	
342	8089887	GUIDE-2 GLASS DOOR	1 Pc's	



Control panel

Eudora, Sparmeister WM 144 AT - White (WM70.1)

Pos	Spare part No.	Description	Qty	Comment
401	8091063-0	PANEL EUDORA SPARMEI. WM144 AT	1 Pc's	
402	8079749	O-RING CORD CELLULAR RUBBER	1 Pc's	
407	8081672-0	LID DETERGENT DISP. W. HOLE	1 Pc's	
411	8089208-0	PUSHBUT. ST/ST WM60.1 OEM	1 Pc's	
413	8081710-0	PUSHBUTTON MAIN SWITCH WMD60.2	1 Pc's	
430	8088614	CONTROL UNIT WM70.1 B (DISP.)	1 Pc's	
431	8083836-0	PUSHBUTTON OPT.1 WMD60.1 OEM	1 Pc's	
434	8083835	LENS ST/ST DISP. WMD60.1 OEM	1 Pc's	
435	8083489	LENS OPTION WMD60.1 OEM	3 Pc's	
440	8083609	DECOR PLATE WMD60.1	1 Pc's	
442	8083490-0	KNOB WMD60.1 OEM	1 Pc's	
444	8083630	LENS JOGDIAL WMD60.1	1 Pc's	
460	8076204	CABLE SET MOTOR WM UL4	1 Pc's	
471	8081664	DETERGENT COMPARTMENT	1 Pc's	
472	8081665	SIPHON DETERGENT COMPARTMENT	1 Pc's	
490	8091059	INSTRUCTIONS EUDORA WM144 DE	1 Pc's	



- CABLE POSITIONS**
 2: THERMISTOR
 3: INLET VALVES
 4: DOOR LOCK, DRAIN PUMP, PREASSURE SWITCH
 8: POWER
 9: HEATING ELEMENT, PREASSURE SWITCH
 10: MOTOR COMMUNICATION, MOTOR POWER

*A FUSE CONNECTION USA & CANADA
 ——— WIRES IN ALL MACHINES
 - - - INTERNAL CONNECTION

RESISTANCES AT ROOM TEMPERATURE (CA. 20°C/68°F)
 VALUES WITHIN +/-10% ARE REGARDED AS NORMAL COMPONENT

- F: RADIO INTERFERENCE SUPPRESSION FILTER 680K Ohm
 EL: HEATING ELEMENT 25 Ohm
 AP: DRAIN PUMP 50 Hz 144 Ohm
 AP: DRAIN PUMP 60 Hz 76 Ohm
 LL: DOOR LOCK, 1-2 122 Ohm
 NTC: THERMISTOR 6.1 - 3.8 K Ohm
 IV 1: INLET VALVE 1 3.7 K Ohm
 IV 2: INLET VALVE 2 3.7 K Ohm
 MO: MOTOR, 1-3 3,7±7% Ohm
 1-2 3,6±7% Ohm
 2-3 3,6±7% Ohm

- MCU: MOTOR CONTROL UNIT
 N: PRESSURE SWITCH
 TS: PRESSURE SENSOR
 TG: TACHO GENERATOR
 BA: CONTAINER
 INKB: INCOMING GROUND



TOTAL RESET

- TURN OFF POWER (S1)
- WAIT FOR AT LEAST 5 SEC
- HOLD DOOR OPENING (S11)
- TURN ON POWER (S1)

SERVICE MENU

- TURN OFF POWER (S1)
- WAIT FOR AT LEAST 5 SEC
- HOLD START/STOP (S10)
- TURN ON POWER (S1)
- PRESS START/STOP (S10) 5 TIMES TO ENTER SERVICE MENU

- PRESS DOOR OPENING (S11) TO CHANGE MENU STEP
- ROTATE DIAL TO CHANGE IN STEP
- PRESSING START/STOP (S10) STORES AND EXITS SERVICE MENU

2010-10-27

CIRCUIT DIAGRAM WM70.1

80 886 21-02

This document must not be copied without our written permission, and the contents thereof must not be imparted to a third party nor be used for any unauthorized purpose. Contravention will be prosecuted. Asko Appliances AB