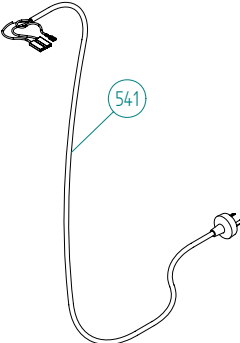
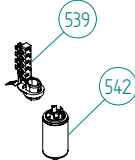
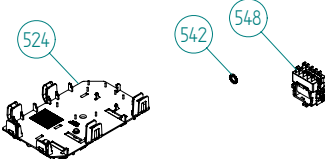
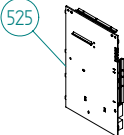
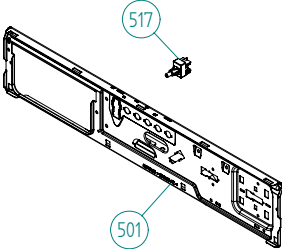


Spare Parts Catalogue

Tumble dryer
Type: TDC33
Model: TDC33 AT Grey

Prod. No: 18876004

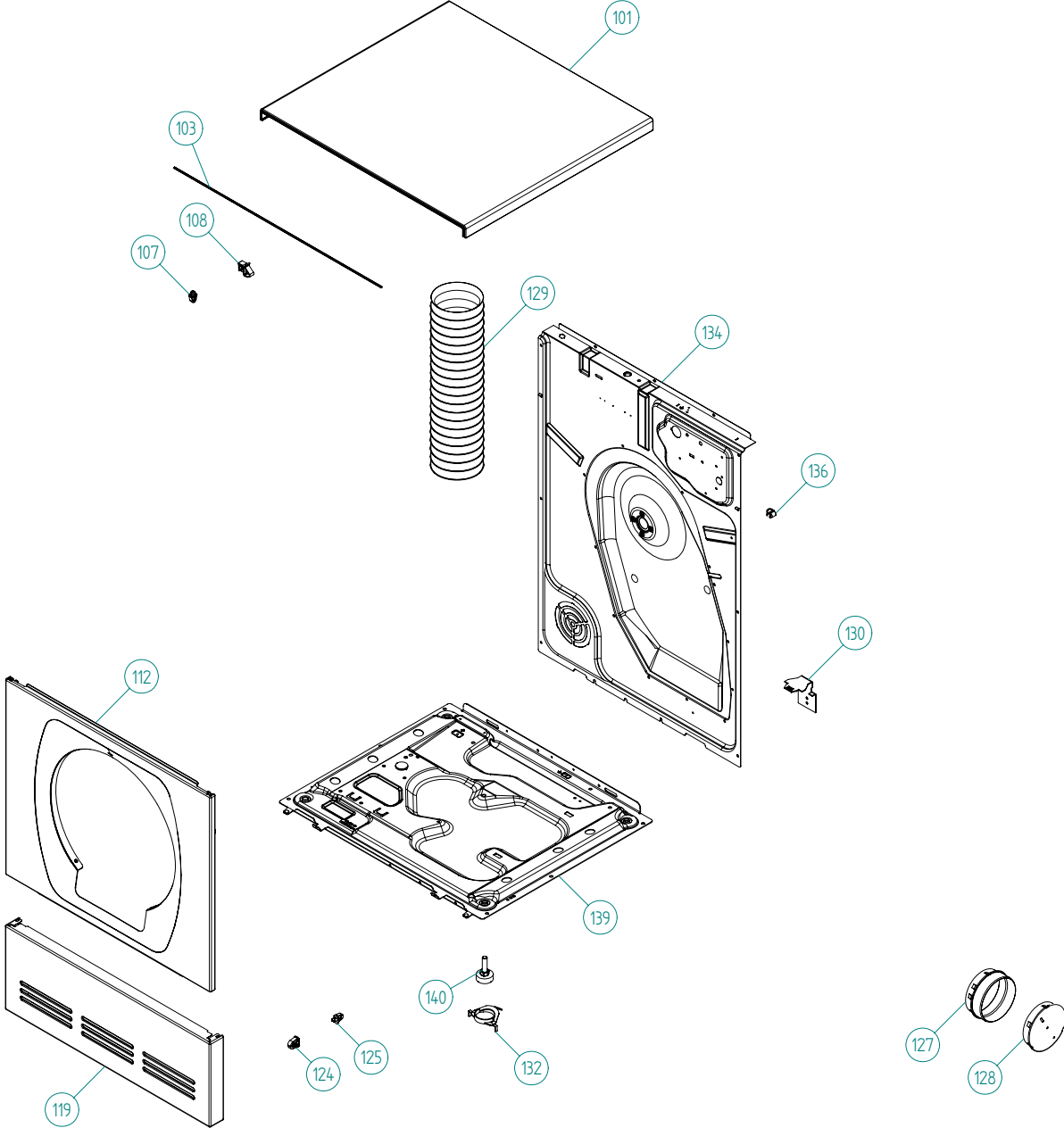
December 20th 2010



Upper session

Eudora, TDC33 AT - Grey (TDC33)

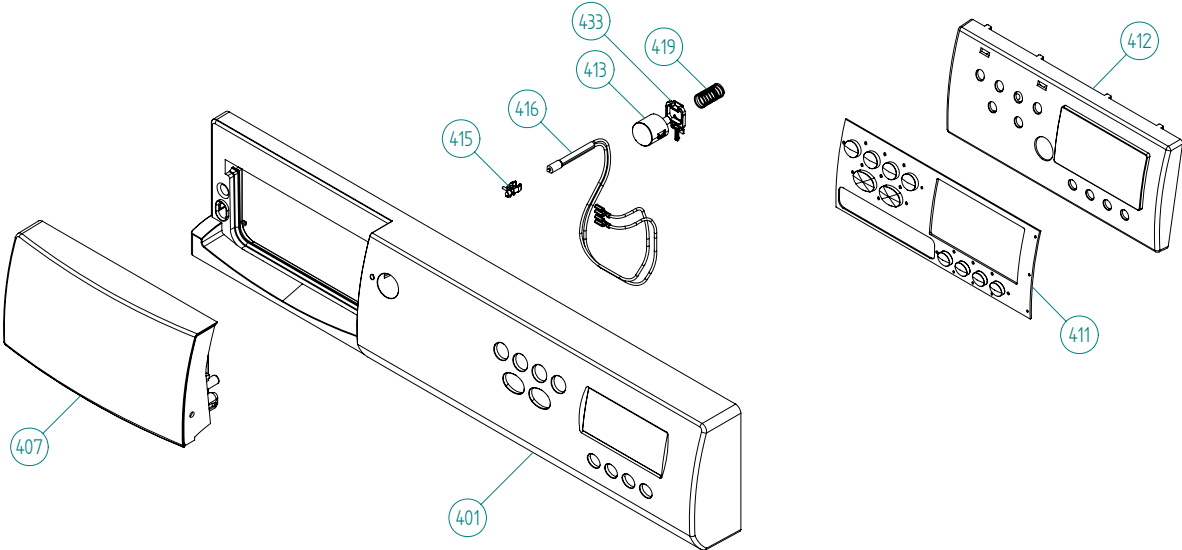
Pos	Spare part No.	Description	Qty	Comment
501	8076210	BEAM FRONT WMD25	1 Pc's	
501-a	8900338	SCREW Repl.by 8902362	2 Pc's	
501-b	8901413	LOCK WASHER AZ 4,3 GALV	2 Pc's	
501-c	8902087	SCREW PTK 40X14 WN1452 FZB T20	2 Pc's	
517	8061875	PUSHBUTTONSW. 2-POLE CLOS.	1 Pc's	
524	8061921	HOLDER PROG.CONTROLLER WMD20	1 Pc's	
525	8077348	CONTROL UNIT TDC33/44 6KG UL4	1 Pc's	
529	8087500	CABLE KIT TD/30/33A/40/44A	1 Pc's	
539	8061660	TERMINAL BLOCK 5-POLE	1 Pc's	
539-a	8901097	SCREW MRT-TT 4X10 FZB T20	1 Pc's	
541	8078983	MAINS CABLE 5X1.5X2000 90C	1 Pc's	
542	8058558	RADIOINTERF.SUPP. FILTER	1 Pc's	
542-a	8901155	NUT M6M8 BH8 GALV	1 Pc's	
542-b	8901419	LOCK WASHER AZ 8,4 GALV	1 Pc's	
548	8064179	CONTACTOR 4S 50/60HZ	1 Pc's	



Outer casing

Eudora, TDC33 AT - Grey (TDC33)

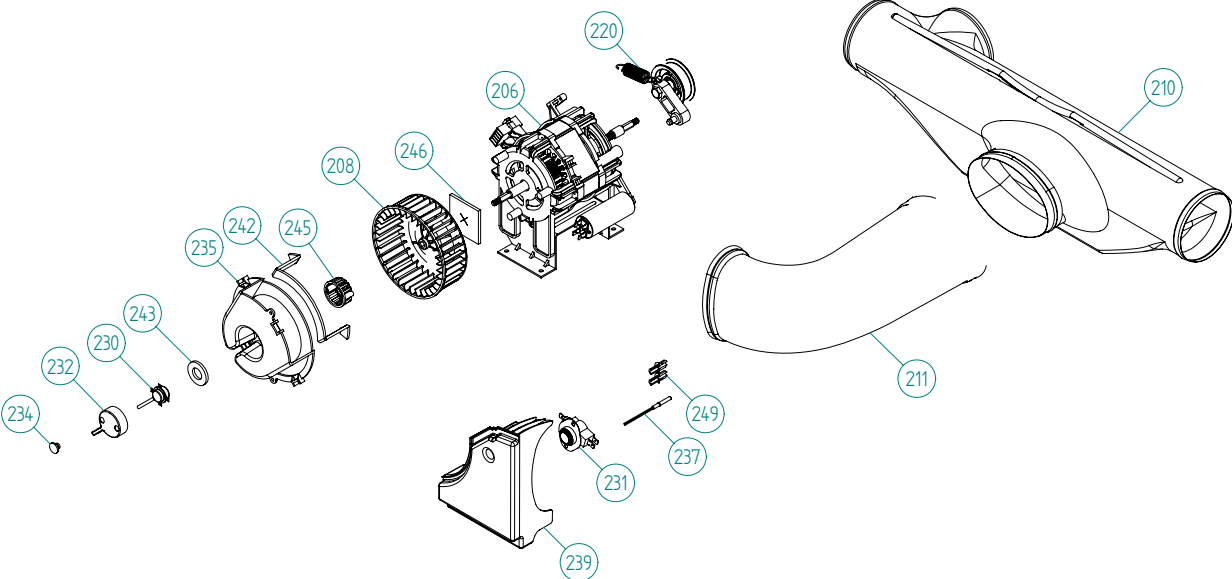
Pos	Spare part No.	Description	Qty	Comment
101	8061817-49	TOP COVER GREY	1 Pc's	
101-a	8900338	SCREW Repl.by 8902362	3 Pc's	
101-b	8901413	LOCK WASHER AZ 4,3 GALV	2 Pc's	
103	8064062	STRIP TOP COVER WMD20 UL4	1 Pc's	
107	8061763	GUIDE FRONT PLATE/TOP COVER	2 Pc's	
108	8061916	CABLE HOLDER WMD20 UL4	2 Pc's	
112	8061847-49	FRONT PLATE TD20 GREY	1 Pc's	
112-a	8900338	SCREW Repl.by 8902362	2 Pc's	
112-b	8901413	LOCK WASHER AZ 4,3 GALV	2 Pc's	
119	8801247-49	LOWER COVER COMPL.W.CLIPS TD20	1 Pc's	
124	8065264	BINDING CLIP TD21	2 Pc's	
125	8065265	BINDING CLIP TD21	2 Pc's	
127	8052641	STUB EXHAUSTCANAL UL4	1 Pc's	
128	8052640-33	LID EXHAUST CANAL BLACK	2 Pc's	
129	8064115	AIR HOSE WITH CABLE STRIP	1 Pc's	
130	8053980	TIP GUARD SURFACE CONDITIONED	2 Pc's	
132	8064114	CUP SELF ADHESIVE,IN BAG(2pcs)	1 Pc's	
134	8076336	REAR PANEL OUTER TD25	1 Pc's	
134	8076336-A	REAR PANEL OUTER	1 Pc's	
134-a	8900338	SCREW Repl.by 8902362	10 Pc's	
136	8061915	CABLE HOLDER TD20	1 Pc's	
139	8061618	BOTTOM WMD20	1 Pc's	
140	8059334	RUBBER FOOT D35xM10 INC. NUT	4 Pc's	



Control panel

Eudora, TDC33 AT - Grey (TDC33)

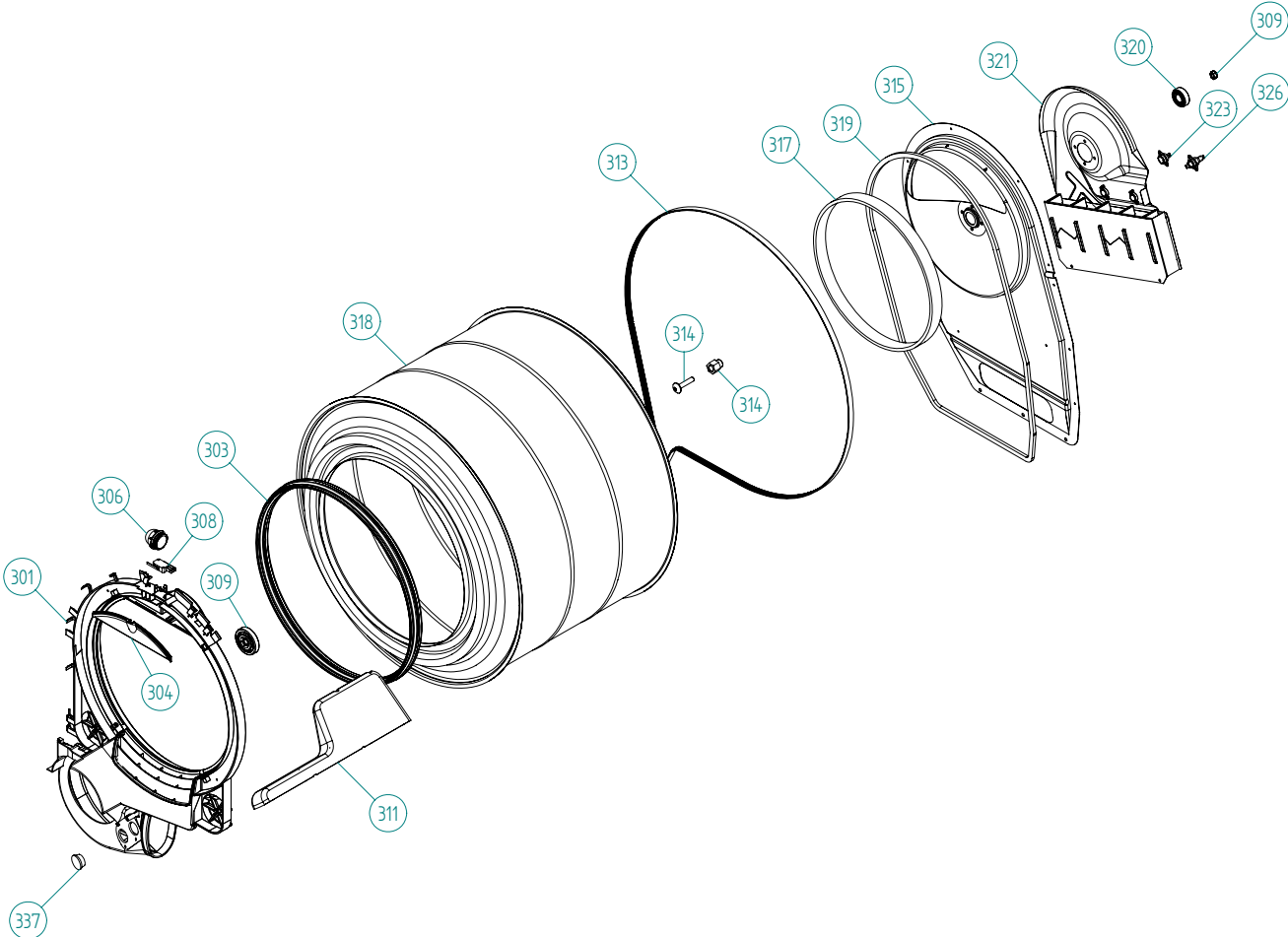
Pos	Spare part No.	Description	Qty	Comment
401	8082769-69	PANEL W.HANDLE EUDORA	1 Pc's	
407	8061846-69-UL	HANDLE PANEL MECH. WMD20	1 Pc's	
411	8063953-33	PUSHBUTTONS TDC33/44	1 Pc's	
412	8076271	DISPLAY UNIT WMD21 UL4 *ESD*	1 Pc's	
413	8061902-69	PUSHBUTTON MAINSWITCH WMD20	1 Pc's	
415	8061822	DECOR LENS	1 Pc's	
416	8007073	IND.LAMP Repl.by 8060478	1 Pc's	
419	8061857	SPRING MAIN SWITCH WMD20	1 Pc's	
433	8076643	ADAPTER MAIN SWITCH	1 Pc's	
490	8082776	INST./MAINTEN.MANUAL EUDORA DE	1 Pc's	
491	8082778	DRYING GUIDE EUDORA TDC33 DE	1 Pc's	



Lower session

Eudora, TDC33 AT - Grey (TDC33)

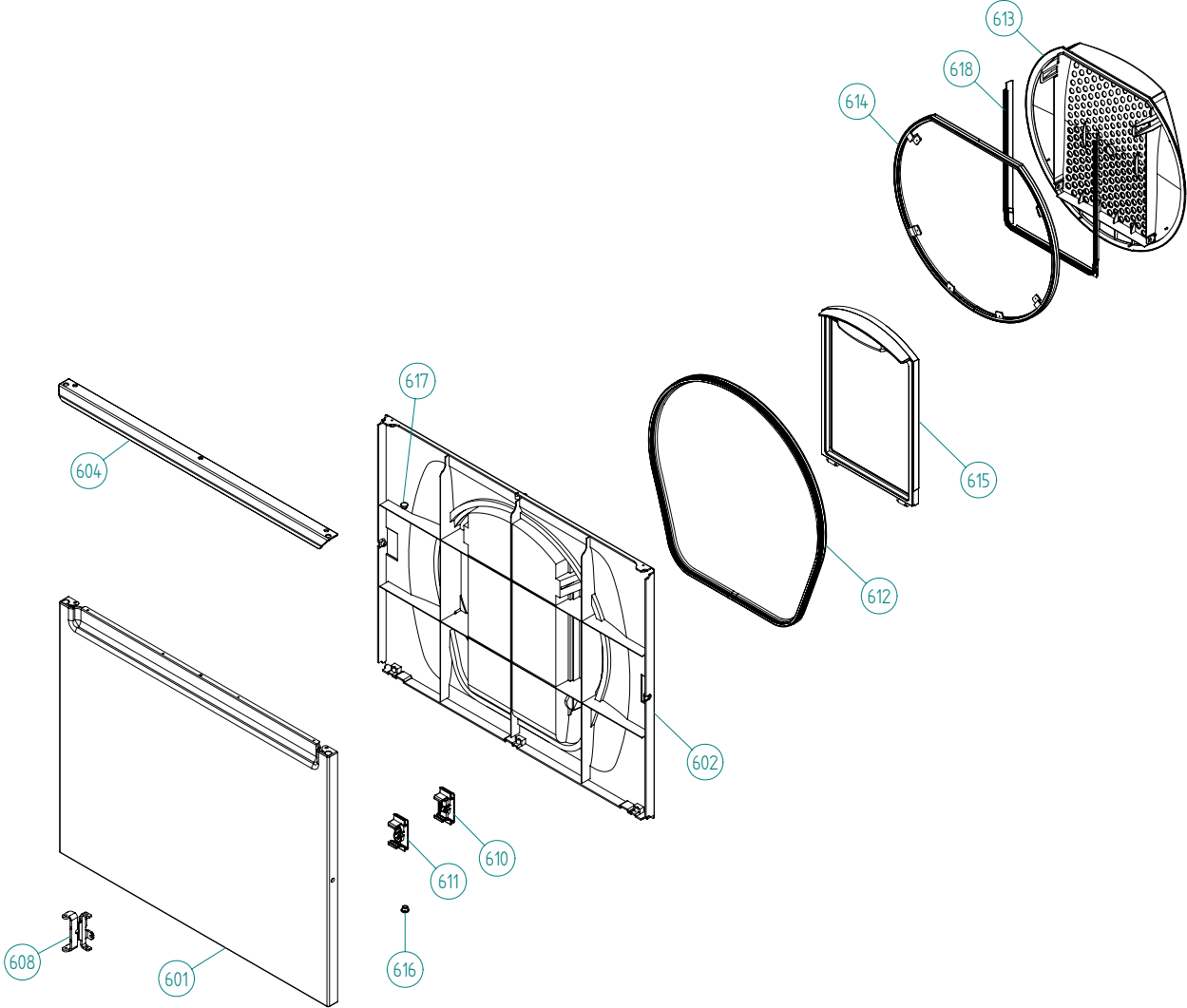
Pos	Spare part No.	Description	Qty	Comment
206	8061824	MOTOR COMPL. TD20	1 Pc's	
206	8081404	MOTOR 50HZ TD COMPL.	1 Pc's	
206-a	8901969	SCREW MRT-TT 5x12 FZB T20	4 Pc's	
206-b	8080119	CAPACITOR 8UF 450V P2 CLASS	1 Pc's	For IBMEI motor
206-c	8075379	CAPACITOR 6UF CIRC.PUMP DW20	1 Pc's	For ACC motor
208	8065797	FAN IMPELLER 120MM UL4	1 Pc's	
210	8052638	EXHAUSTCANAL T-TUBE UL4	1 Pc's	
211	8052639	EXHAUSTCANAL BEND UL4	1 Pc's	
220	8801214	TENSION ARM W.BALL BEARING	1 Pc's	
230	8061855	HUMIDITY SENSOR TD20 *ESD* UL4	1 Pc's	
230-a	8902042	SCREW PTK 35X10 WN1452 FZB T10	2 Pc's	
231	8077476	THERMOSTAT 64	1 Pc's	
232	8061944	FRONT GUARD HUMIDITY SENSOR	1 Pc's	
234	8061959	PLUG HUMIDITY SENSOR/REAR PAN.	2 Pc's	
235	8076330-0	FAN CASING LID UL4	1 Pc's	
235-a	8902042	SCREW PTK 35X10 WN1452 FZB T10	2 Pc's	
237	8061900	THERMISTOR UL4 TD20	1 Pc's	
239	8077102-49	COVER FOR FAN HOUSE	1 Pc's	
239-a	8902042	SCREW PTK 35X10 WN1452 FZB T10	2 Pc's	
242	8064184	SEALING COVER FAN HOUSE	1 Pc's	
243	8063897	SEALING HUMIDITY SENSOR	1 Pc's	
245	8061943	GUARD HUMIDITY SENSOR TD20	1 Pc's	
246	8058323	SHAFT SEAL DRYER	1 Pc's	
249	8080094	ADAPTER THERMISTOR	1 Pc's	



Cylinder and related parts

Eudora, TDC33 AT - Grey (TDC33)

Pos	Spare part No.	Description	Qty	Comment
301	8801310	FRONT FRAME CPL TD25 NEW SEAL.	1 Pc's	
301-a	8902066	SCREW Repl.by 8901971	4 Pc's	
303	8061821	FELT SEAL FRONT	1 Pc's	
304	8061932-49	LAMP HOUSING LID GREY UL4	1 Pc's	
306	8061887	LAMP CHIMNEY ULTEM TD20 UL4	1 Pc's	
308	8076104	DOOR SWITCH TD	1 Pc's	
309	8052622	SUPPORT ROLLER COMPLETE	2 Pc's	
309-a	8901337	WASHER BRB 8,4X16 HB 200 GALV	2 Pc's	
309-b	8901193	NUT LOC-KING 8 BH8 GALV	2 Pc's	
309-c	8901028	SCREW M6S 8.8 M8x25 FZB	2 Pc's	
311	8052589	PADDLE,TT Repl.By 8052589-49	2 Pc's	
311	8052589-49	PADDLE TD	2 Pc's	
311-a	8902099	SCREW PTK 50X14 WN1452 FZB T20	5 Pc's	
313	8065710	DRIVEBELT Repl.by 8088503	1 Pc's	
313	8801267	KIT DRIVEBELT+TENSIONER SPRING	1 Pc's	
314	8052632	BEARING BUSH	1 Pc's	
314-a	8901130	SCREW A4-MVBF M8X40 7,9-8,0 HG	1 Pc's	
315	8076335	REAR PANEL INNER TD25	1 Pc's	
317	8064440	FELTSEALING Repl.by 8083190	1 Pc's	
318	8079449	CYLINDER COMPL. TD	1 Pc's	
318	8079493	CYLINDER COMPL. TD	1 Pc's	
319	8059712	SPONGE RUBBER STRIP 6X9X1660	1 Pc's	
320	8004439	BALL BEARING SKF 6202-2Z/C3Q66	1 Pc's	
321	8077395	HEATING ELEMENT 2500W UL4	1 Pc's	
323	8079200	THERMOSTAT 135C TD	1 Pc's	
326	8077385	THERMOSTAT 150C 1/2"	1 Pc's	
337	8076705	PLUG FOR THERMISTOR HOLE	1 Pc's	



Outer door

Eudora, TDC33 AT - Grey (TDC33)

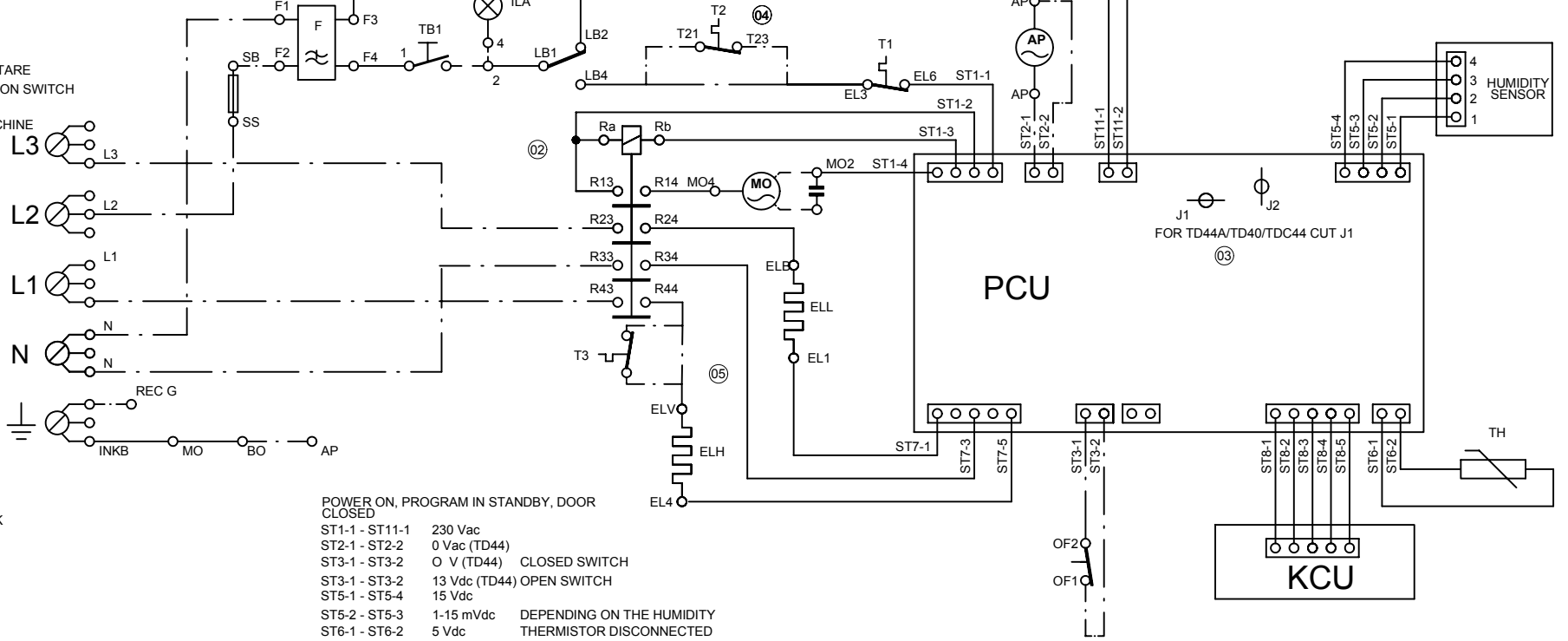
Pos	Spare part No.	Description	Qty	Comment
601	8061733-49	DOOR, OUTER PART GREY WMD20	1 Pc's	
602	8061810	DOOR INNER	1 Pc's	
602-a	8902068	SCREW PTK 40X14 WN1453 PF FZB	5 Pc's	
604	8061813-29	HANDLE DOOR BLACK	1 Pc's	
608	8061807-29	HINGE LOWER COMPL. BLACK	1 Pc's	
610	8061878	MAGNET LOCK COMPL.	1 Pc's	
611	8061886	HOLDER MAGNET LOCK TD20	0 Pc's	
612	8061815	DOOR SEAL OUTER	1 Pc's	
613	8079750-0	FILTER HOLDER COMPL.	1 Pc's	
614	8065274	SEALING FILTER BRACKET	1 Pc's	
615	8061812	DOUBLE FLUFF FILTER	1 Pc's	
616	8061865-33	HINGE BEARING BLACK TD20	2 Pc's	
617	8061953-33	PLUG DOOR BLACK TD20	1 Pc's	
618	8079247	SEALING FILTER BRACKET INNER	1 Pc's	

S:\UW\wmd20\1_TryckunderlagiKopplingschema8061866 TD33_44, TDC33_441866-06ejskickad.dft , pesv , 2003-01-21 09:16:06

- ELL: VÄRMEELEMENT, LAG EFFEKT
HEATER, LOW POWER
- ELH: VÄRMEELEMENT, HÖG EFFEKT
HEATER, HIGH POWER
- T1: TERMOSTAT
THERMOSTAT
- T2: TERMOSTAT
THERMOSTAT
- T3: TERMOSTAT
THERMOSTAT
- OF: ÖVERSVÄMNINGSBRYTARE
OVERFLOW PROTECTION SWITCH
- REC: UTTAG TVÄTTMASKIN
OUTLET WASHING-MACHINE
- BO: BOTTEN
BOTTOM
- ILA: INDIKERINGSLAMPA
INDICATION LAMP
- R: RELÄ
RELAY
- S: SÄKRING
FUSE
- F: FILTER
FILTER
- AP: AVLOPPSPUMP
DRAIN PUMP
- MO: MOTOR
MOTOR
- TH: THERMISTOR
THERMISTOR
- BE: BELYSNING
ILLUMINATION
- LB: LUCKBRYTARE
DOOR SWITCH
- INKB: LUCKBRYTARE
LUCKBRYTARE
- INKB: INKOPPLINGSPLINT
INKOPPLINGSPLINT

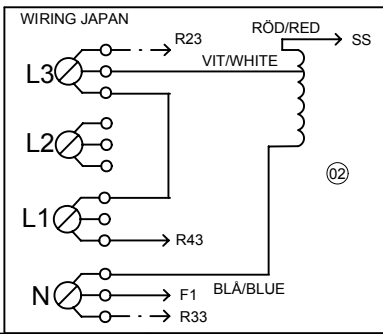
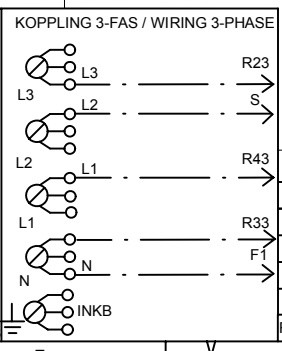
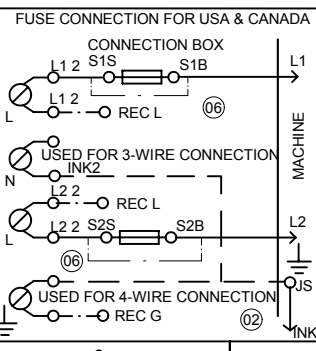
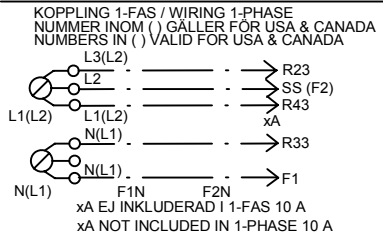
- TB: TRYCKBRYTARE
PUSH BUTTON SWITCH
- PCU: PROGRAM CONTROL UNIT
PROGRAM KONTROLLENHET
- KCU: KNAPPSATS MED DISPLAY
KNAPPSATS MED DISPLAY
- USERS INTERFACE

--- INTERNAL CONNECTION
--- INTERN KOPPLING
- - - ALTERNATIVE WIRING
- - - ALTERNATIV KOPPLING



- POWER ON, PROGRAM IN STANDBY, DOOR CLOSED
- ST1-1 - ST11-1 230 Vac
 - ST2-1 - ST2-2 0 Vac (TD44)
 - ST3-1 - ST3-2 0 V (TD44) CLOSED SWITCH
 - ST3-1 - ST3-2 13 Vdc (TD44) OPEN SWITCH
 - ST5-1 - ST5-4 15 Vdc
 - ST5-2 - ST5-3 1-15 mVdc DEPENDING ON THE HUMIDITY
 - ST6-1 - ST6-2 5 Vdc THERMISTOR DISCONNECTED
 - ST7-1 - ST7-3 0 v
 - ST7-5 - ST7-3 0 v
 - ST8-1 - ST8-2 13 Vdc
 - ST8-3 DATA IN
 - ST8-4 CLOCK
 - ST8-5 DATA OUT

- PROGRAM RUNNING,
- ST1-1 - ST11-1 230 Vac
 - ST1-1 - ST1-3 230 Vac
 - ST1-1 - ST1-4 230 Vac
 - ST2-1 - ST2-2 230 Vac (TD44) 30 SECONDS EACH 4 MINUTES
 - ST3-1 - ST3-2 0 V (TD44) CLOSED SWITCH
 - ST3-1 - ST3-2 13 Vdc (TD44) OPEN SWITCH
 - ST5-1 - ST5-4 15 Vdc
 - ST5-2 - ST5-3 1-15 mVdc DEPENDING ON THE HUMIDITY
 - ST6-1 - ST6-2 5 Vdc THERMISTOR DISCONNECTED
 - ST7-1 - R24 230 Vac HEATER ON
 - ST7-5 - R44 230 Vac HEATER ON
 - ST8-1 - ST8-2 13 Vdc DATA IN
 - ST8-3 DATA IN
 - ST8-4 CLOCK
 - ST8-5 DATA OUT



This document must not be copied without our written permission, and the contents thereof must not be imparted to a third party without the prior written consent of Askco Cylinda AB.

Rev ind	Revision	Appd	Year	Week
06	Added alt. solution without fuses Removed wiring without Neutral	PS	05	03
05	Additional thermostat added	PS	03	03
04	Additional thermostat added	SS	01	27
03	TD44A/TD40 was TD44, TD33/44	MS	01	22
02	Wiring Japan added, JS added, MO4 changed	PS	99	26
01	ST2-1 - ST2-2 was 230	HT	99	02

Pos.	Qty	Part No.	Name of item	Material
Material		Dens.Kg/dm3		Dimensions, Type, etc.
Scale		Gen.tolerance		Description(ENG)
Designed by		Gen.tol.Angle		Description(SE)
Released by		Iss by Dept Year Week		
		UT 98 05		
ASKO CYLINDA				80 618 66 06
				Rev Ind
				Replace
				8061866 rev:05
				Project