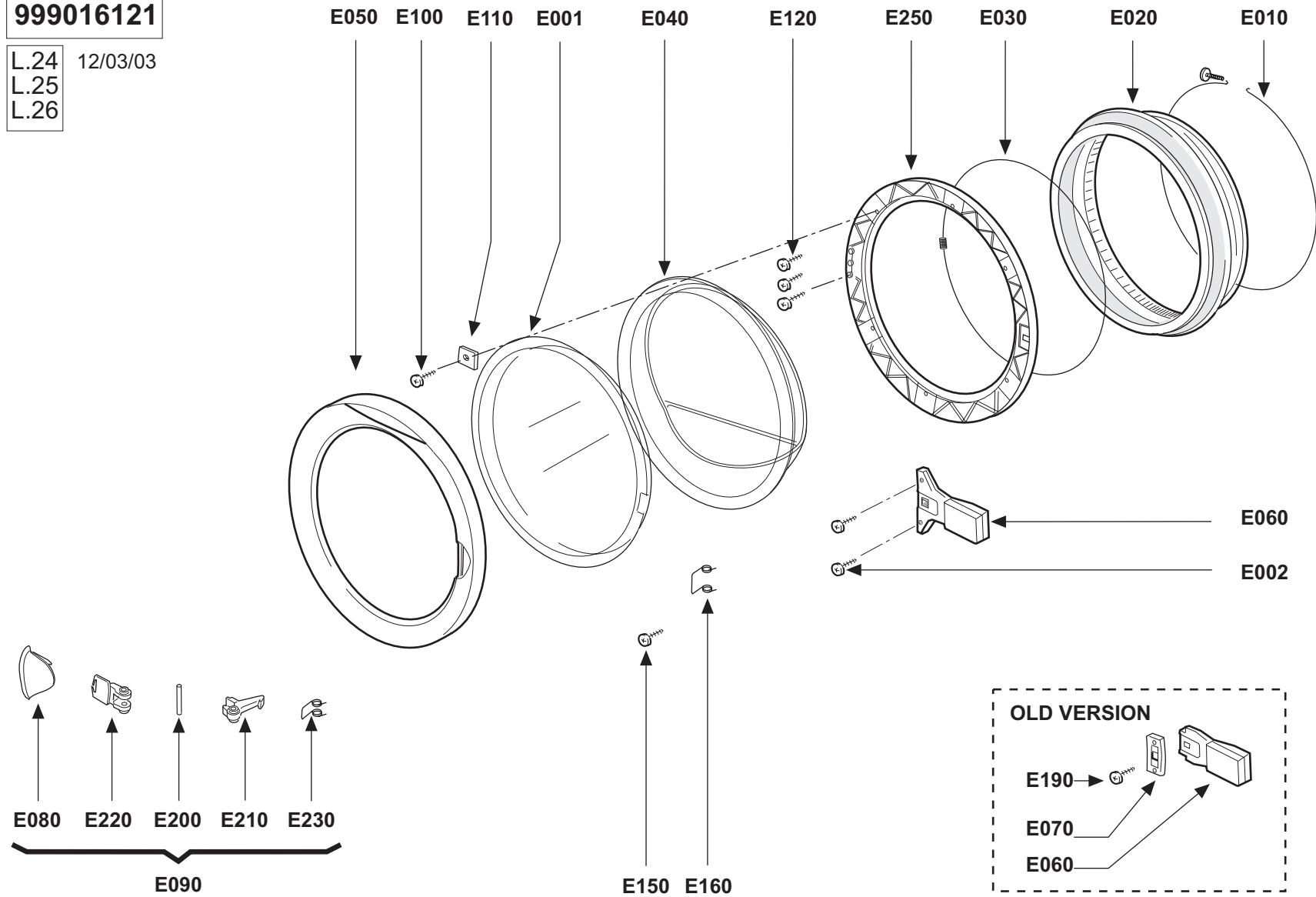


999016121

L.24 12/03/03
L.25
L.26



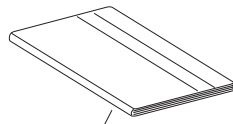
999016228

SHRINK PACKING FREE-STANDING

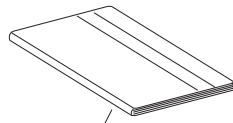
14/09/2006

Z290

Z310



Z330
INSTRUCTIONS
FOR USE

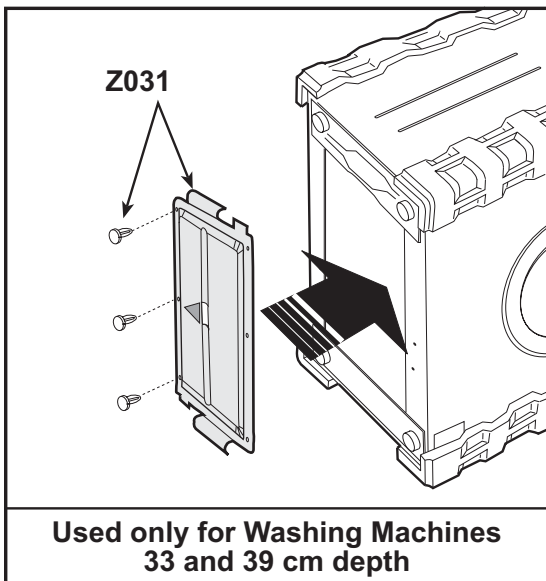


Z025
TECHNICAL DATAS
BOOKLET

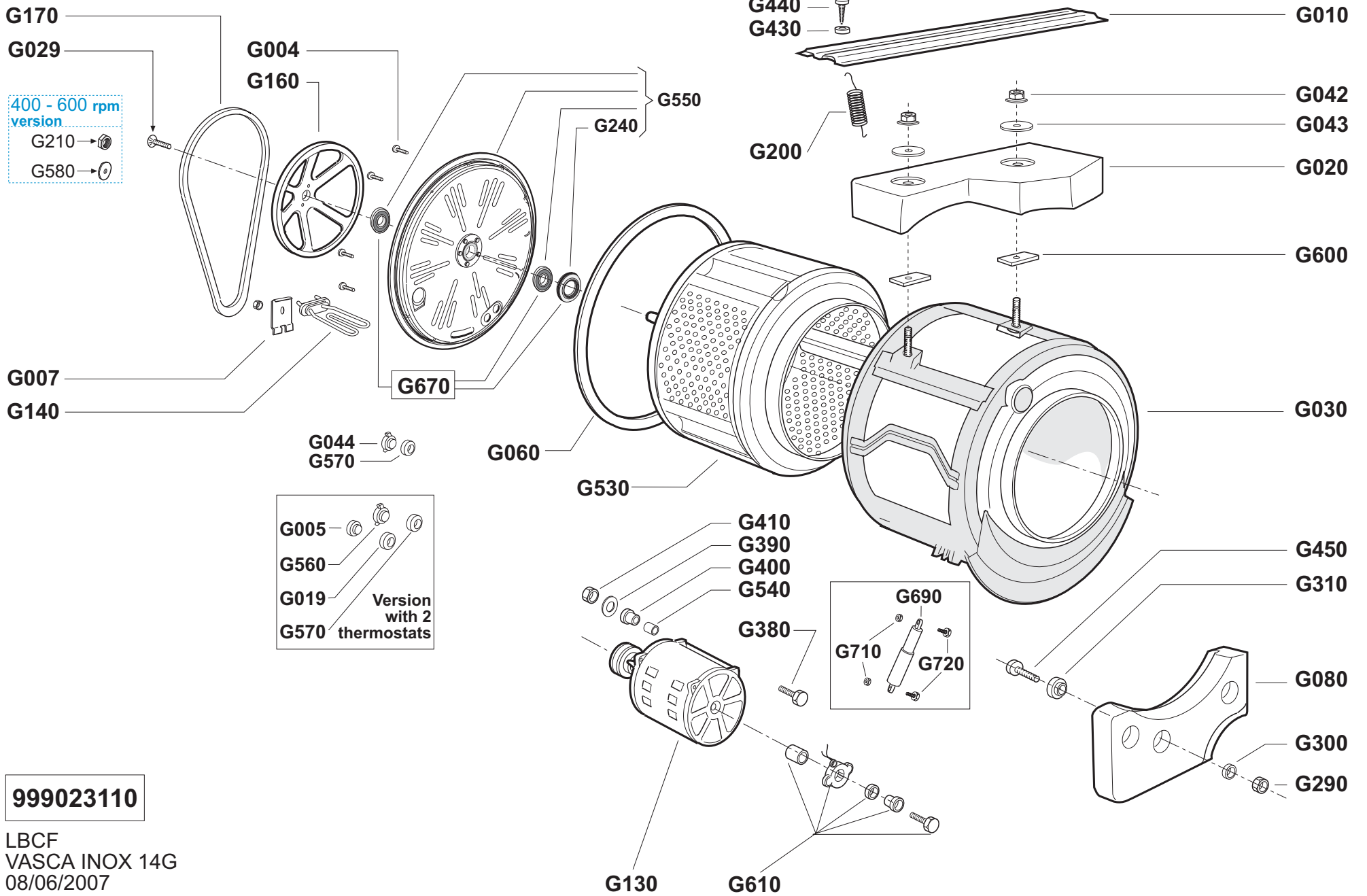
Z300

Z024

Z280



Used only for Washing Machines
33 and 39 cm depth



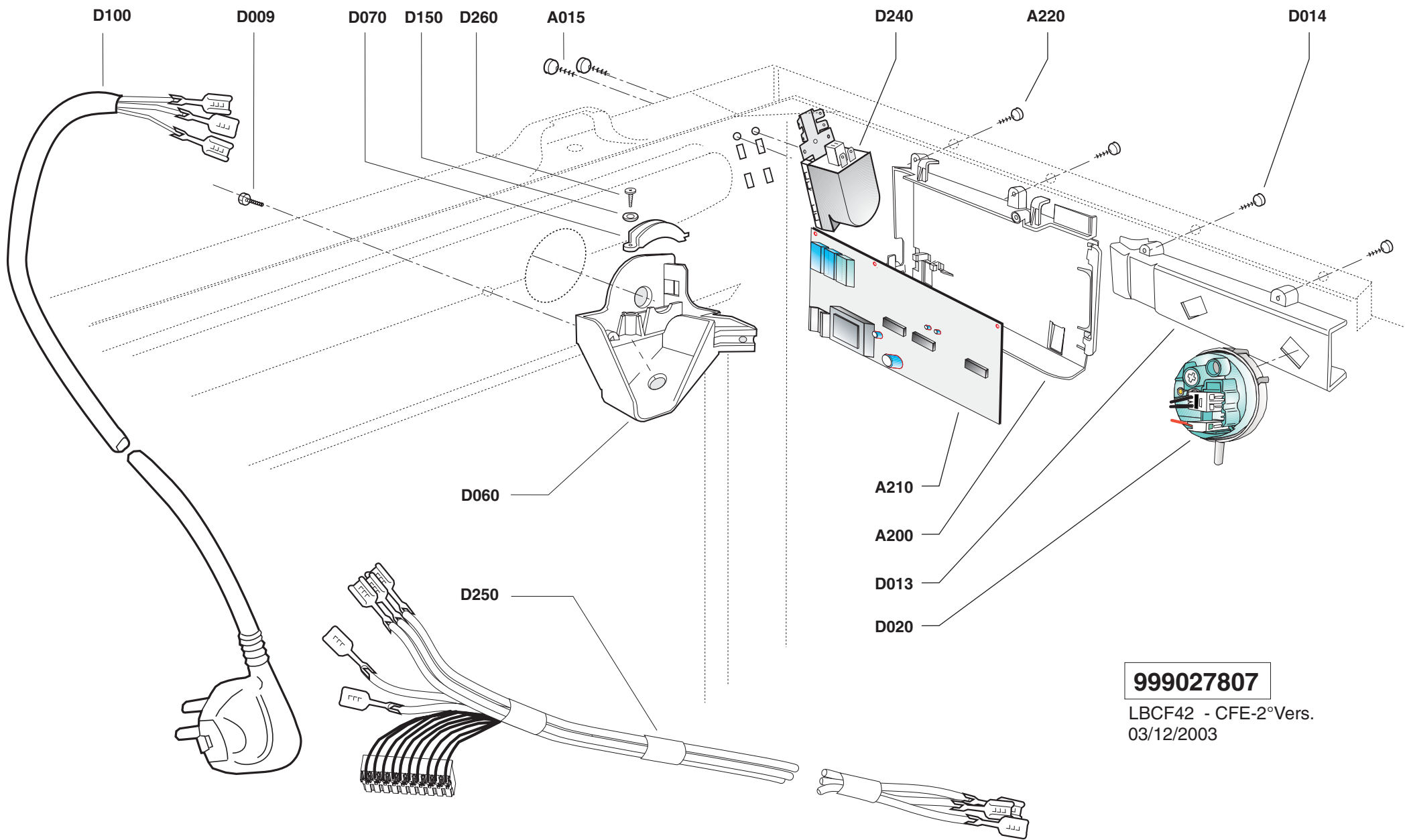
400 - 600 rpm
version
G210 → [part]
G580 → [part]

G005 — [part]
G560 — [part]
G019 — [part]
G570 — [part]
Version with 2 thermostats

G690
G710
G720

999023110

LBCF
VASCA INOX 14G
08/06/2007

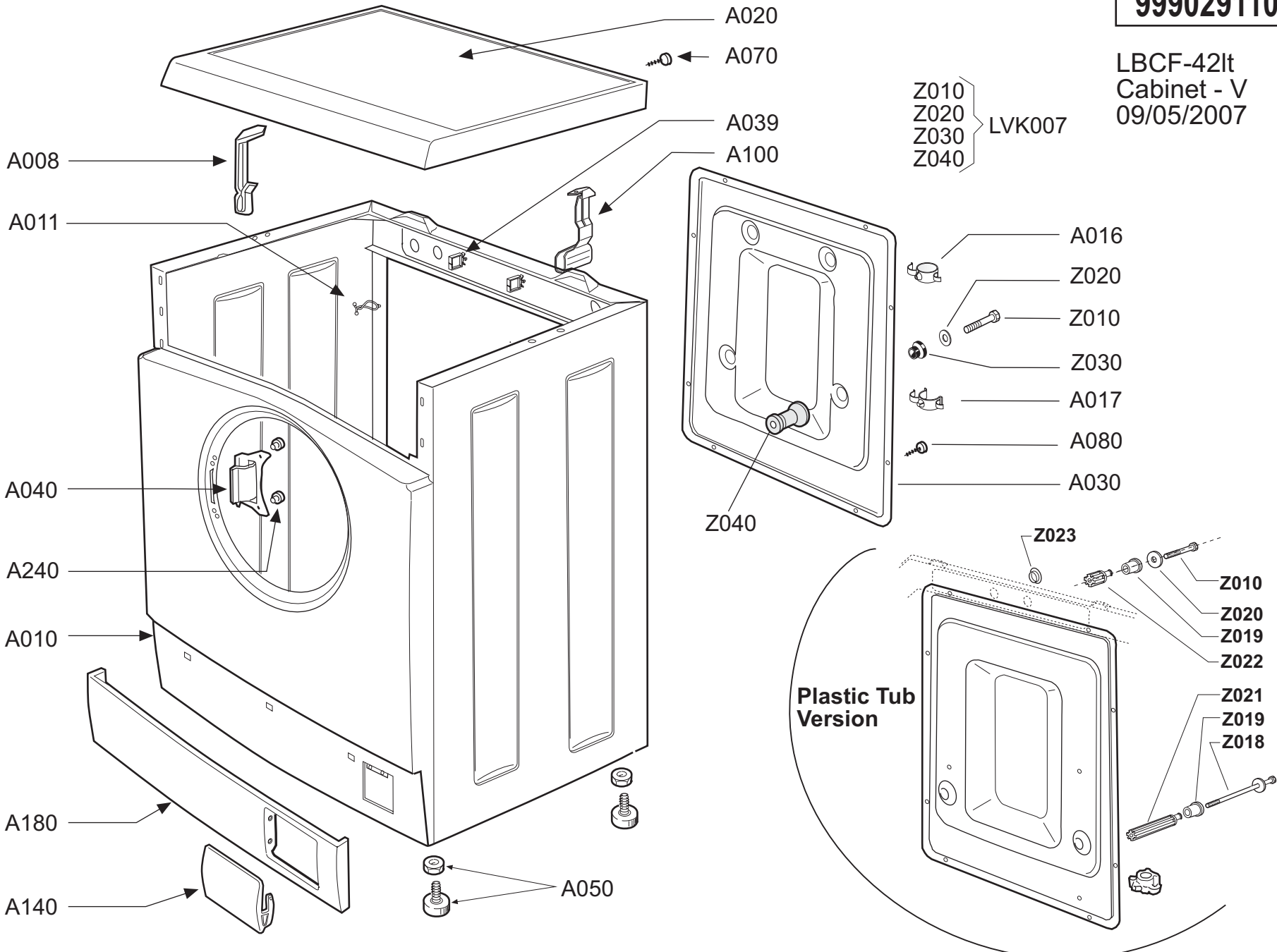


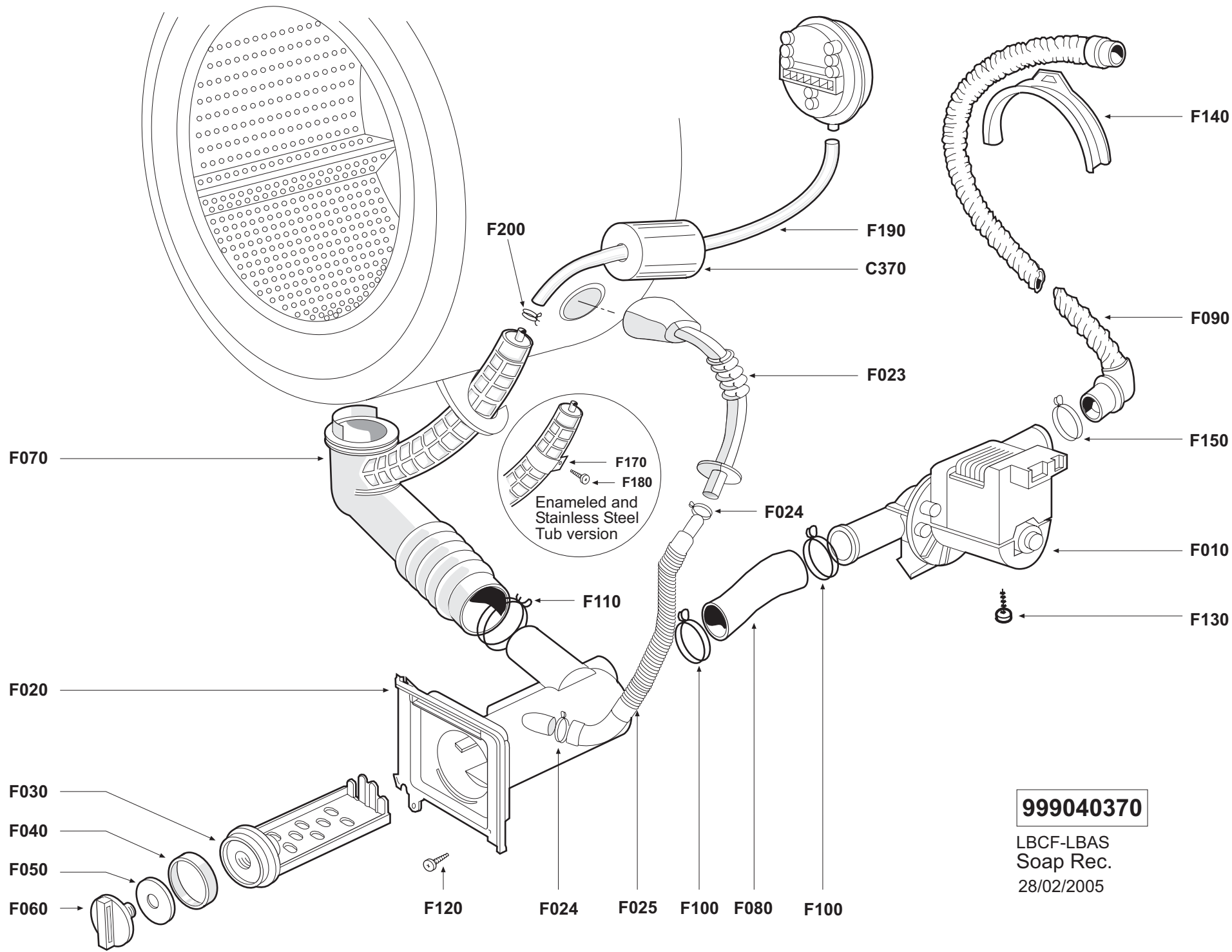
999027807

LBCF42 - CFE-2°Vers.
03/12/2003

999029110

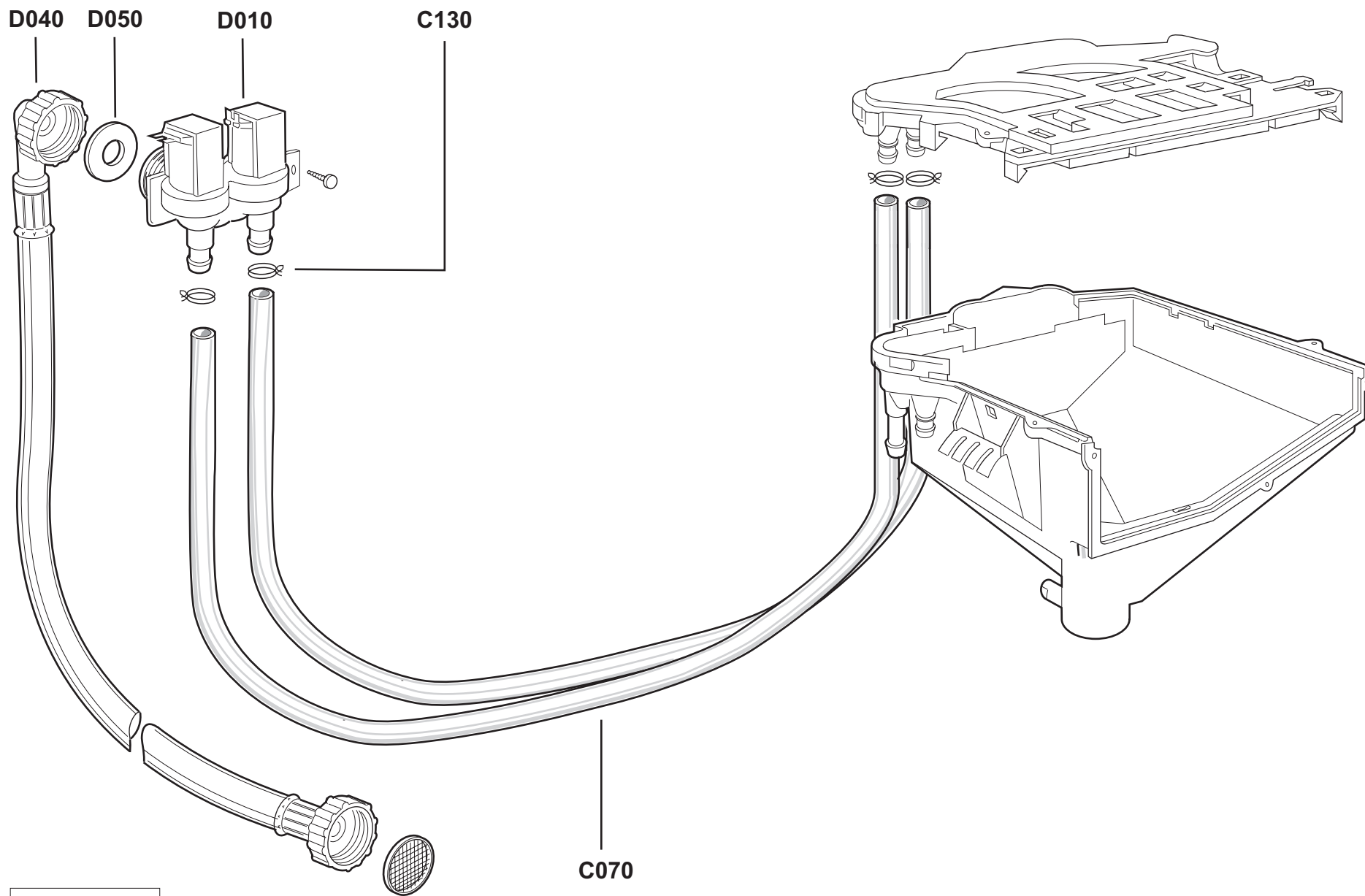
LBCF-42It
Cabinet - V
09/05/2007





999040370

LBCF-LBAS
 Soap Rec.
 28/02/2005



999043304

LBCF - 2 ELETTROVALVOLE
AF-ELECTRONIC
09/03/2007

G170

G029

G004

G160

400 - 600 rpm
version

G210 →

G580 →

G440

G430

G010

G042

G043

G020

G600

G030

G007

G140

G670

G550

G240

G200

G044

G570

G060

G530

G005

G560

G019

Version
with 2
G570
thermostats

G130

G690

G710

G720

G080

G300

G290

999043607

LBCF 42LT
VASCA INOX 1400
Mot.512021600
08/06/2007

G380 G390 G540 G400 G410 G067 G073 G074

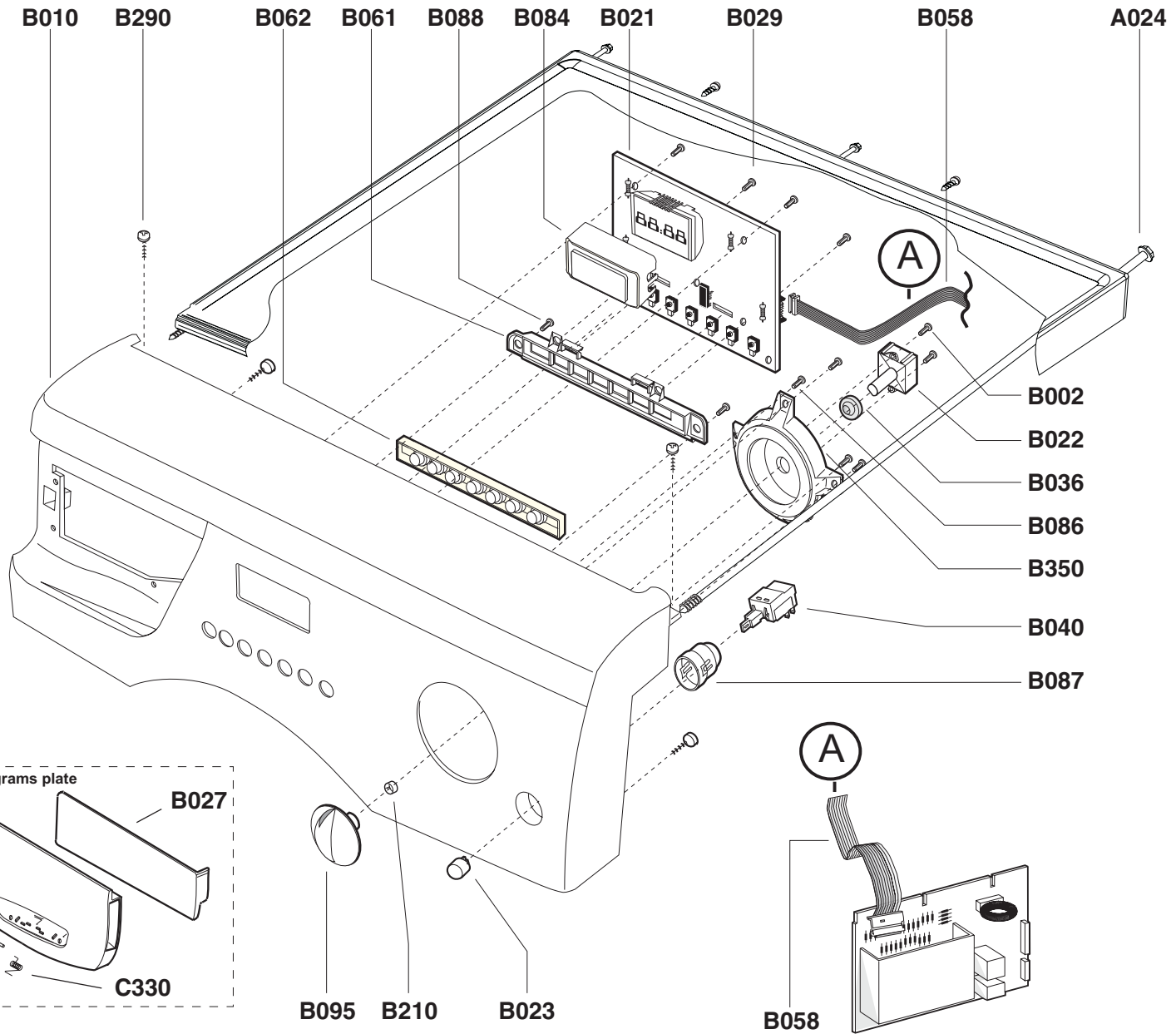
LVK005

G450

G310

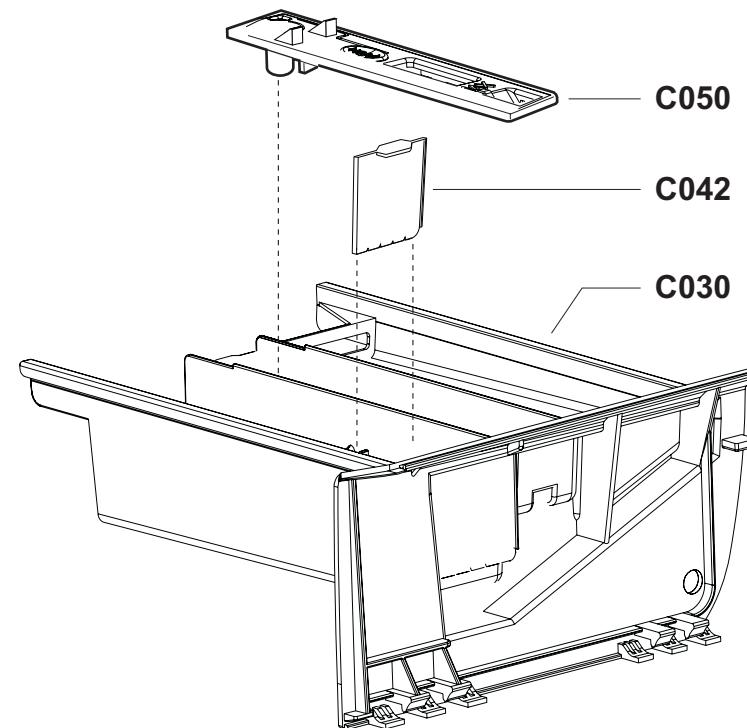
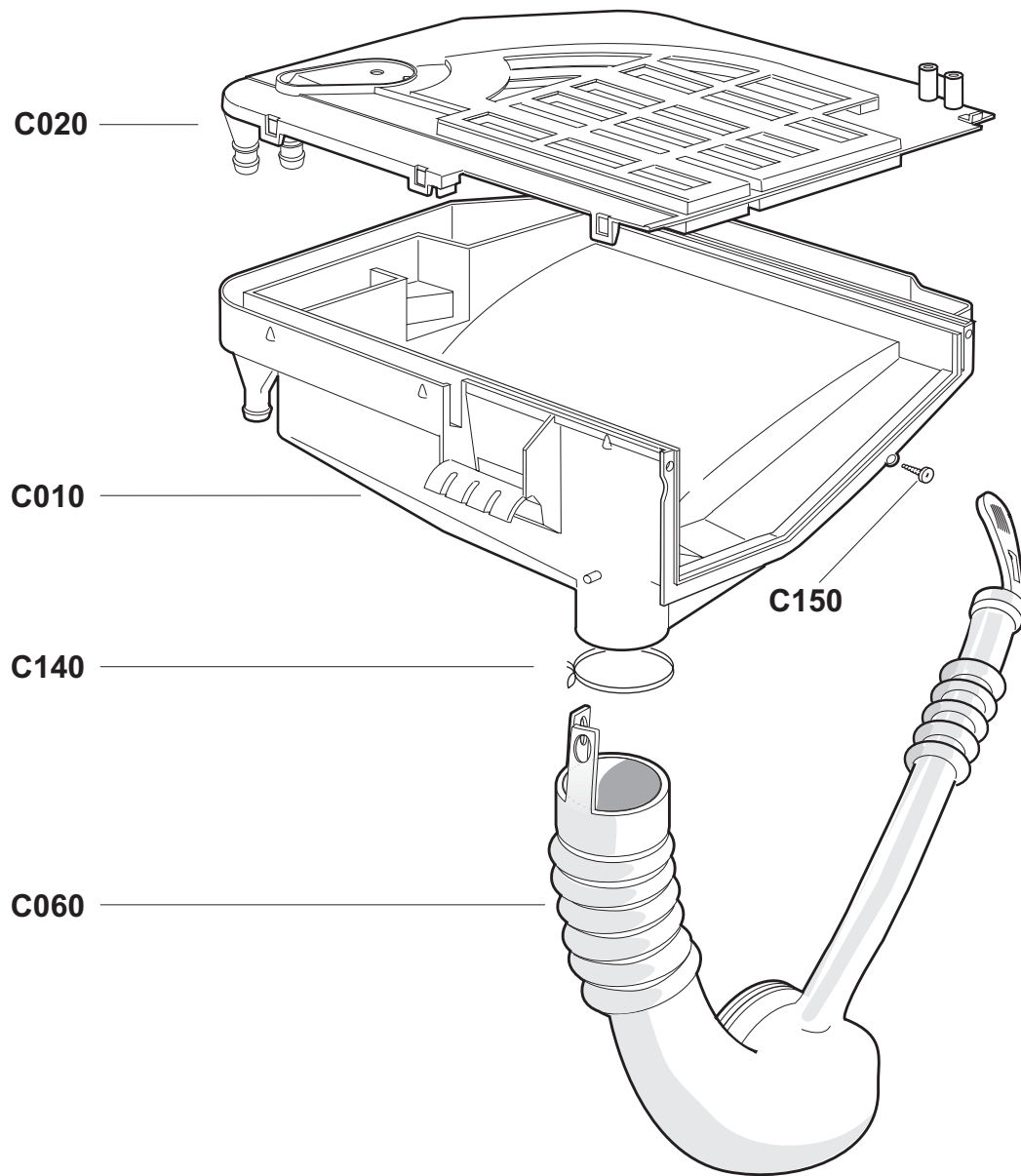
999045204

Control Panel
CD - LCD
10/05/2004



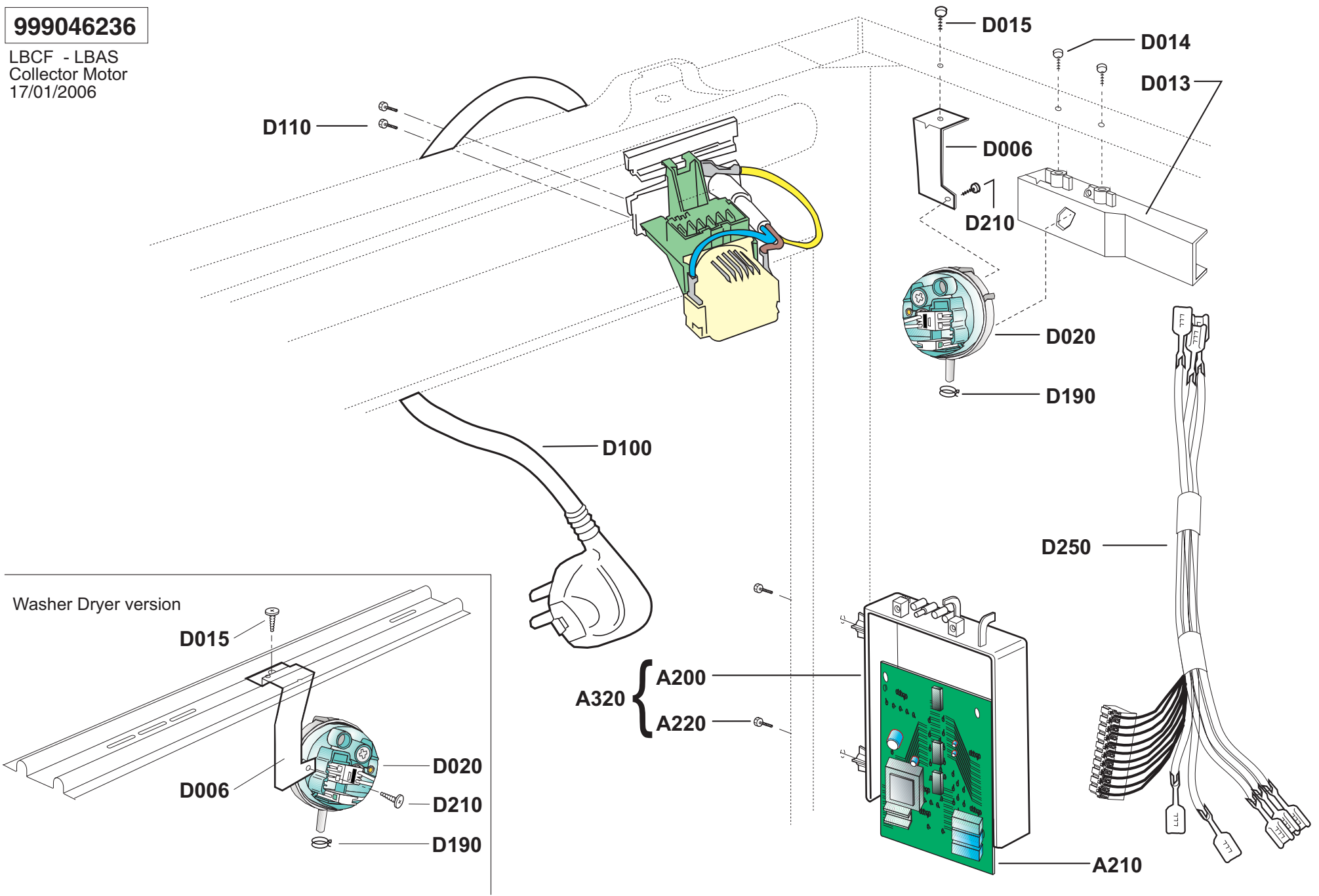
999045208

CFE with 2 Water Valve
Control panel:
CD-CE-CL-CM-CN-CR
09/03/2007



999046236

LBCF - LBAS
Collector Motor
17/01/2006



D110

D015

D014

D013

D006

D210

D020

D190

D100

D250

Washer Dryer version

D015

D006

D020

D210

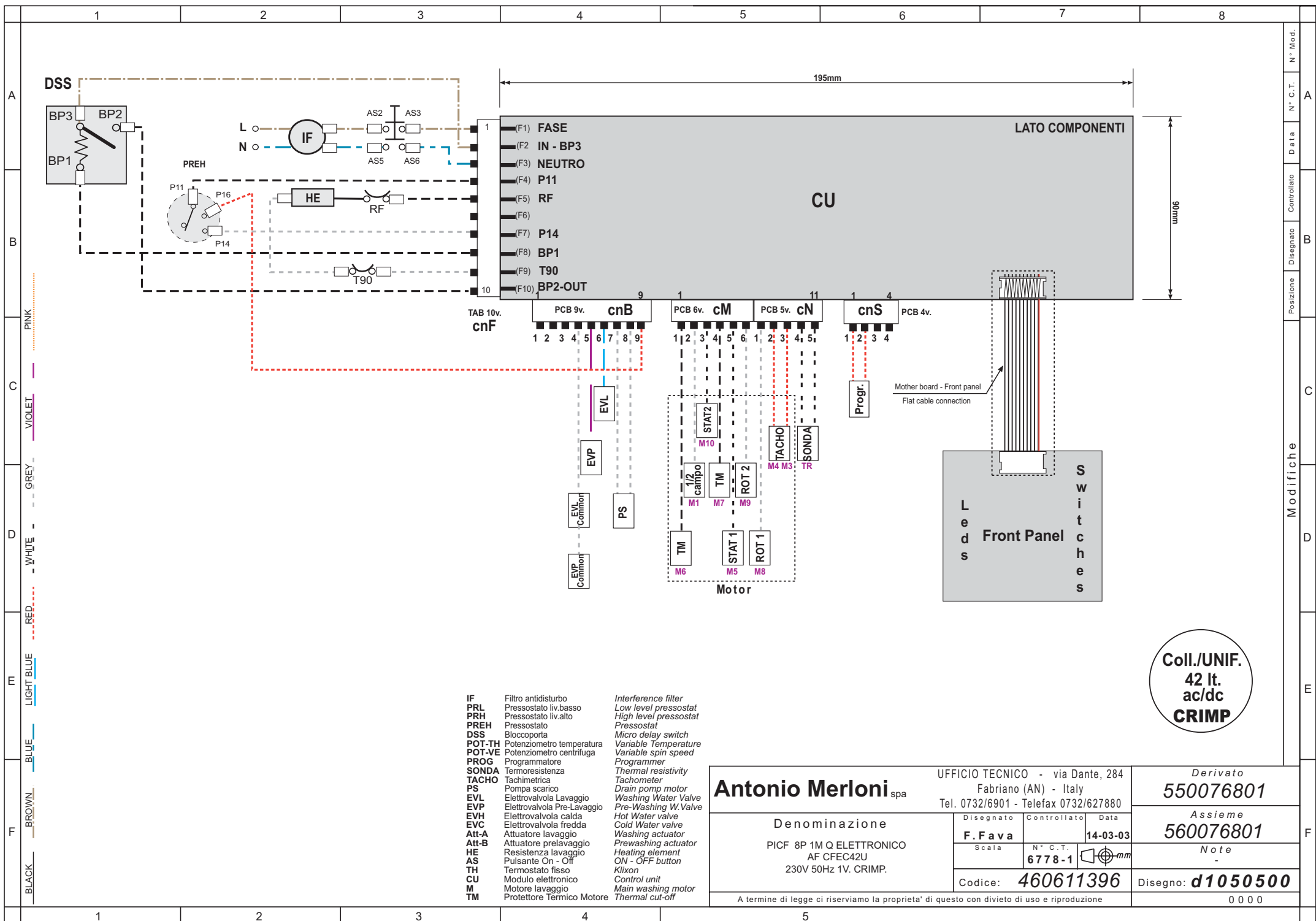
D190

A320

A200

A220

A210

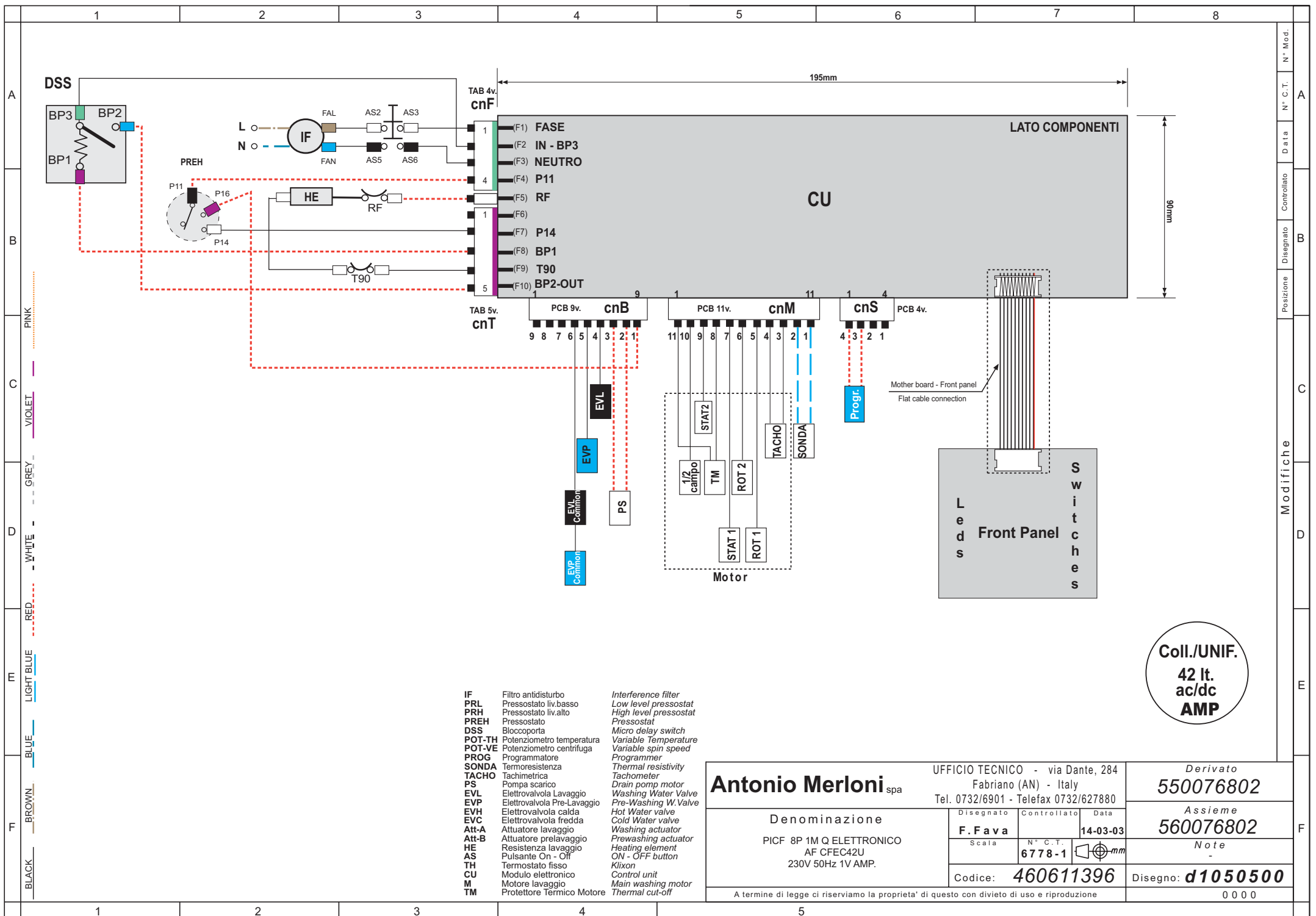


- | | | |
|---------------|-----------------------------|------------------------------|
| IF | Filtro antidisturbo | <i>Interference filter</i> |
| PRL | Pressostato liv.basso | <i>Low level pressostat</i> |
| PRH | Pressostato liv.alto | <i>High level pressostat</i> |
| PREH | Pressostato | <i>Pressostat</i> |
| DSS | Bloccoporta | <i>Micro delay switch</i> |
| POT-TH | Potenzimetro temperatura | <i>Variable Temperature</i> |
| POT-VE | Potenzimetro centrifuga | <i>Variable spin speed</i> |
| PROG | Programmatore | <i>Programmer</i> |
| SONDA | Termoresistenza | <i>Thermal resistivity</i> |
| TACHO | Tachimetrica | <i>Tachometer</i> |
| PS | Pompa scarico | <i>Drain pump motor</i> |
| EVL | Elettrovalvola Lavaggio | <i>Washing Water Valve</i> |
| EVP | Elettrovalvola Pre-Lavaggio | <i>Pre-Washing W.Valve</i> |
| EVC | Elettrovalvola calda | <i>Hot Water valve</i> |
| Att-A | Elettrovalvola fredda | <i>Cold Water valve</i> |
| Att-B | Attuatore lavaggio | <i>Washing actuator</i> |
| HE | Attuatore prelavaggio | <i>Prewashing actuator</i> |
| AS | Resistenza lavaggio | <i>Heating element</i> |
| TH | Pulsante On - Off | <i>ON - OFF button</i> |
| CU | Termostato fisso | <i>Klixon</i> |
| M | Modulo elettronico | <i>Control unit</i> |
| TM | Motore lavaggio | <i>Main washing motor</i> |
| TM | Protettore Termico Motore | <i>Thermal cut-off</i> |

Coil./UNIF.
42 lt.
ac/dc
CRIMP

Antonio Merloni spa Denominazione PICF 8P 1M Q ELETTRONICO AF CFEC42U 230V 50Hz 1V. CRIMP.		UFFICIO TECNICO - via Dante, 284 Fabriano (AN) - Italy Tel. 0732/6901 - Telefax 0732/627880		Derivato 550076801	
		Disegnato F. Fava Controllato Data Scala 6778-1 N° C.T. 14-03-03		Assieme 560076801 Note -	
Codice: 460611396		Disegno: d1050500		A termine di legge ci riserviamo la proprieta' di questo con divieto di uso e riproduzione 0 0 0	

N° Mod. A
 N° C.T. A
 Data
 Controllato
 Disegnato B
 Posizione
 Modifiche C
 D
 E
 F



1 2 3 4 5 6 7 8

A

B

C

D

E

F

PINK

VIOLET

GREY

WHITE

RED

LIGHT BLUE

BLUE

BROWN

BLACK

N° Mod.

N° C.T.

Data

Controllato

Disegnato

Posizione

Modifiche

A

B

C

D

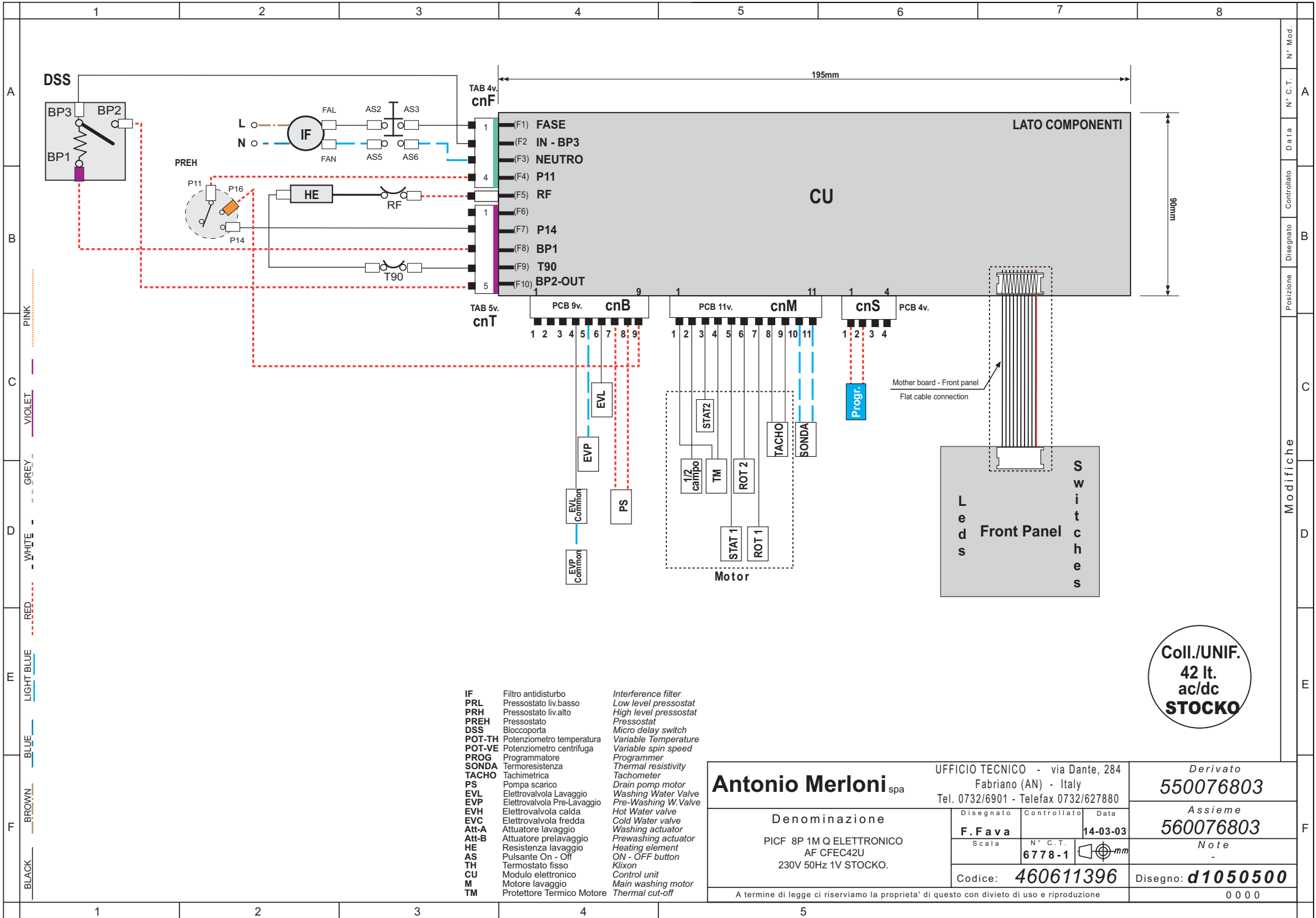
E

F

- | | | |
|--------|-----------------------------|-----------------------|
| IF | Filtro antidisturbo | Interference filter |
| PRL | Pressostato liv.basso | Low level pressostat |
| PRH | Pressostato liv.alto | High level pressostat |
| PREH | Pressostato | Pressostat |
| DSS | Bloccoporta | Micro delay switch |
| POT-TH | Potenzimetro temperatura | Variable Temperature |
| POT-VE | Potenzimetro centrifuga | Variable spin speed |
| PROG | Programmatore | Programmer |
| SONDA | Termoresistenza | Thermal resistivity |
| TACHO | Tachimetrica | Tachometer |
| PS | Pompa scarico | Drain pump motor |
| EVL | Elettrovalvola Lavaggio | Washing Water Valve |
| EVP | Elettrovalvola Pre-Lavaggio | Pre-Washing W.Valve |
| EVC | Elettrovalvola calda | Hot Water Valve |
| Att-A | Attuatore lavaggio | Washing actuator |
| Att-B | Attuatore prelavaggio | Prewashing actuator |
| HE | Resistenza lavaggio | Heating element |
| AS | Pulsante On - Off | ON - OFF button |
| TH | Termostato fisso | Klixon |
| CU | Modulo elettronico | Control unit |
| M | Motore lavaggio | Main washing motor |
| TM | Protettore Termico Motore | Thermal cut-off |

Coll./UNIF.
42 lt.
ac/dc
AMP

Antonio Merloni spa Denominazione PICF 8P 1M Q ELETTRONICO AF CFEC42U 230V 50Hz 1V AMP.		UFFICIO TECNICO - via Dante, 284 Fabriano (AN) - Italy Tel. 0732/6901 - Telefax 0732/627880		Derivato 550076802	
		Disegnato F. Fava Controllato _____ Data 14-03-03		Assieme 560076802	
Codice: 460611396		Disegno: d1050500		Note -	
A termine di legge ci riserviamo la proprieta' di questo con divieto di uso e riproduzione				0 0 0	



- | | | |
|---------------|-----------------------------|------------------------------|
| IF | Filtro antidisturbo | <i>Interference filter</i> |
| PRL | Pressostato liv.basso | <i>Low level pressostat</i> |
| PRH | Pressostato liv.alto | <i>High level pressostat</i> |
| PREH | Pressostato | <i>Pressostat</i> |
| DSS | Bloccoporta | <i>Micro delay switch</i> |
| POT-TH | Polenzimetro temperatura | <i>Variable Temperature</i> |
| POT-VE | Polenzimetro centrifuga | <i>Variable spin speed</i> |
| PROG | Programmatore | <i>Programmer</i> |
| SONDA | Termoresistenza | <i>Thermal resistivity</i> |
| TACHO | Tachimetrica | <i>Tachometer</i> |
| PS | Pompa scarico | <i>Drain pump motor</i> |
| EVL | Elettrovalvola Lavaggio | <i>Washing Water Valve</i> |
| EVP | Elettrovalvola Pre-Lavaggio | <i>Pre-Washing W. Valve</i> |
| EVH | Elettrovalvola calda | <i>Hot Water valve</i> |
| EVC | Elettrovalvola fredda | <i>Cold Water valve</i> |
| Att-A | Attuatore lavaggio | <i>Washing actuator</i> |
| Att-B | Attuatore prelavaggio | <i>Prewashing actuator</i> |
| HE | Resistenza lavaggio | <i>Heating element</i> |
| AS | Pulsante On - Off | <i>ON - OFF button</i> |
| TH | Termostato fisso | <i>Klixon</i> |
| CU | Modulo elettronico | <i>Control unit</i> |
| M | Motore lavaggio | <i>Main washing motor</i> |
| TM | Protettore Termico Motore | <i>Thermal cut-off</i> |

Coll./UNIF.
42 lt.
ac/dc
STOCKO

Antonio Merloni spa Denominazione PICF 8P 1M Q ELETTRONICO AF CFEC42U 230V 50Hz 1V STOCKO.		UFFICIO TECNICO - via Dante, 284 Fabriano (AN) - Italy Tel. 0732/6901 - Telefax 0732/627880		Derivato 550076803
		Disegnato F. Fava Controllato _____ Data 14-03-03		Assieme 560076803
Codice: 460611396		Disegno: d1050500		Note -
A termine di legge ci riserviamo la proprieta' di questo con divieto di uso e riproduzione				0 0 0

Ersatzteilliste

Maschine 010020208 LBCF COPM 16C60XECH DFOV EUDORA WA855 A 230V 50HZ

<i>Ersatzt.</i>	<i>Pos.Expl.</i>	<i>Beschreib.</i>	<i>Laufzeit</i>		<i>Men</i>
398092700	CFA008	HAKEN HALTERUNG SCHLAUCH ELEKTROVENTIL	01/01/1900	21/12/2005	1
710079901	CFA010	GEHAEUSE	28/02/2006	31/12/4999	1
710058001	CFA010	GEHAEUSE	01/01/1900	28/02/2006	1
398034000	CFA011	SENKEL HAKEN VERKABELUNG	01/01/1900	31/12/4999	1
432028100	CFA015	FESTSTELLSCHRAUBE ENTSTOERER	02/02/2004	28/02/2006	2
432004600	CFA015	FESTSTELLSCHRAUBE ENTSTOERER	01/01/1900	02/02/2004	2
398114700	CFA016	SCHLAUCHBEFESTIGER ZUFLUSS-ABFLUSS WASSER GESCHLOSSEN	01/01/1900	31/12/4999	2
398027000	CFA017	SCHLAUCHBEFESTIGER ZUFLUSS-ABFLUSS WASSER OFFE	01/01/1900	31/12/4999	1
721078800	CFA020	OBERER DECKEL	01/01/1900	31/12/4999	1
432032400	CFA024	SCHRAUBE OBERER DECKEL-STIRNBRETT	01/01/1900	31/12/4999	2
276002301	CFA030	RUCKWARTIGER DECKEL	01/01/1900	31/12/4999	1
398108000	CFA039	CLIP DRAHTFIXIERUNG MAGNETVENTIL	01/01/1900	31/12/4999	2
246027400	CFA040	SCHARNIER	01/01/1900	31/12/4999	1
720168500	CFA050	FUSS REGULIERBAR	01/01/1900	31/12/4999	4
432004900	CFA070	SCHRAUBE FUER OBEREN DECKEL	01/01/1900	28/04/2003	2
432028400	CFA070	SCHRAUBE FUER OBEREN DECKEL	28/04/2003	31/12/4999	2
432028100	CFA080	SCHRAUBE FUER RUECKWARTIGEN DECKEL	01/01/1900	31/12/4999	8

Ersatzteilliste

Maschine 010020208 LBCF COPM 16C60XECH DFOV EUDORA WA855 A 230V 50HZ

<i>Ersatz.</i>	<i>Pos.Expl.</i>	<i>Beschreib.</i>	<i>Laufzeit</i>		<i>Men</i>
398264500	CFA140	FILTERKLAPPE	02/01/2006	31/12/4999	1
398156800	CFA140	FILTERKLAPPE	01/01/1900	02/01/2006	1
366011300	CFA180	SOCKEL	01/01/1900	02/01/2006	1
366030200	CFA180	SOCKEL	02/01/2006	31/12/4999	1
368033100	CFA200	KARTENBEHALTER	10/01/2003	31/12/4999	1
368031000	CFA200	KARTENBEHALTER	01/01/1900	10/01/2003	1
546073300	CFA210	ELEKTRONIK-MODUL	01/01/1900	31/12/4999	1
432009400	CFA220	BEFESTIGUNGSSCHRAUBE F.KARTENBEHALTER	01/01/1900	31/12/4999	2
438003300	CFA240	NIETE F.SICHTFENSTERSCHARNIER	01/01/1900	31/12/4999	4
720374000	CFA320	MODULTRAGER-GEHAUSEINHEIT	01/01/1900	31/12/4999	1
432003200	CFB002	FESTSTELLSCHRAUBE POTENTIOMETER	01/01/1900	31/12/4999	2
804659620	CFB010	BLENDRAHMEN	01/01/1900	31/12/4999	1
720464300	CFB021	ELEKTRONIKKARTE TASTEN+DISPLAY	01/01/1900	31/12/4999	1
502016600	CFB022	PROGRAMMSCHALTER	01/01/1900	17/07/2005	1
502050300	CFB022	PROGRAMMSCHALTER	17/07/2005	31/12/4999	1
332069100	CFB023	ON-OFF TASTE	01/01/1900	31/12/4999	1
432026000	CFB029	FESTSTELLSCHRAUBE ELEKTRONIKKARTE	01/01/1900	31/12/4999	8

Ersatzteilliste

Maschine 010020208 LBCF COPM 16C60XECH DFOV EUDORA WA855 A 230V 50HZ

<i>Ersatz.</i>	<i>Pos.Expl.</i>	<i>Beschreib.</i>	<i>Laufzeit</i>		<i>Men</i>
402027300	CFB036	DICHTUNG FUER POTENTIOMETER	01/01/1900	31/12/4999	1
522006701	CFB040	DRUCK KNOPFTAFEL	01/01/1900	03/11/2004	1
522006700	CFB040	DRUCK KNOPFTAFEL	03/11/2004	31/12/4999	1
510176500	CFB058	FLACHKABEL FUER ANSCHLUSS KARTE TASTENKREIS-ELEKTR. MODUL	01/01/1900	31/12/4999	1
354033100	CFB061	GEHAEUSE TASTENHALTERUNG	01/01/1900	31/12/4999	1
332069000	CFB062	STIRNBRETT-TASTEN MIT DICHTUNG	01/01/1900	31/12/4999	1
352013300	CFB084	SCHUTZVORR. DISPLAY LCD	01/01/1900	31/12/4999	1
432026000	CFB086	SCHRAUBEN Z. KAMMER DRUCKKNOPFSCHEIBE	01/01/1900	31/12/4999	4
354033200	CFB087	TASTENHALTERUNG ON-OFF	01/01/1900	31/12/4999	1
326160800	CFB095	POTENTIOMETER TIMER KNOPF	01/01/1900	31/12/4999	1
444005700	CFB210	FEDER FUER THERMOSTATKNOPF	01/01/1900	31/12/4999	1
432028100	CFB290	SCHRAUBE Z.BEFESTIGUNG D.BLENDE	12/04/2006	31/12/4999	4
432004600	CFB290	SCHRAUBE Z.BEFESTIGUNG D.BLENDE	01/01/1900	29/03/2005	4
432010000	CFB290	SCHRAUBE Z.BEFESTIGUNG D.BLENDE	29/03/2005	12/04/2006	4
816055502	CFB350	DRUCKKNOPFSCHEIBE	01/01/1900	31/12/4999	1
348004900	CFC010	WASCHMITTEL-BEHALTER	01/01/1900	31/12/4999	1
330109600	CFC020	WASCHMITTEL-DECKEL-BEHALTER	01/01/1900	31/12/4999	1

<CONTINUE ...>

Ersatzteilliste

Maschine 010020208 LBCF COPM 16C60XECH DFOV EUDORA WA855 A 230V 50HZ

<i>Ersatzt.</i>	<i>Pos.Expl.</i>	<i>Beschreib.</i>	<i>Laufzeit</i>		<i>Men</i>
398233700	CFC030	WASCHMITTELBEHAELTER	01/01/1900	24/07/2005	1
398248500	CFC030	WASCHMITTELBEHAELTER	24/07/2005	31/12/4999	1
806316600	CFC040	HANDGRIFF FUER WASCHMIT.	24/07/2005	31/12/4999	1
806294900	CFC040	HANDGRIFF FUER WASCHMIT.	01/01/1900	24/07/2005	1
398233100	CFC042	SCHOTT FUER WASCHMITTELBEHAELTER	01/01/1900	31/12/4999	1
398233800	CFC050	GITTER EINSPUELKAMMER WEICHSPUELER	01/01/1900	31/12/4999	1
402044900	CFC060	MUFFE WASCHMITTEL EINSPUELUNG	13/05/2004	31/12/4999	1
402043300	CFC060	MUFFE WASCHMITTEL EINSPUELUNG	01/01/1900	13/05/2004	1
414001300	CFC070	ZUFUHRUNGSSCHLAUCH	01/01/1900	31/12/4999	2
440000200	CFC130	SHELLE F.VERSORGUNGSSCHLAUCH	01/01/1900	31/12/4999	4
440000600	CFC140	MUFFENSHELLE F. WASCHMITEINSPULUNG	01/01/1900	31/12/4999	1
432031200	CFC150	SCHRAUBE FUER WASCHMITTELBEHALTER	01/01/1900	31/12/4999	4
322103100	CFC310	DECKEL FUER HANDGRIFF	01/01/1900	31/12/4999	1
443001800	CFC320	BOLZEN F.BEHALTERGRIFF	01/01/1900	24/07/2005	1
444021200	CFC330	RUECKZUGFEDER F.DECKEL D.GRIFFES	01/01/1900	24/07/2005	1
444022700	CFC330	RUECKZUGFEDER F.DECKEL D.GRIFFES	24/07/2005	31/12/4999	1
407001700	CFC370	SCHAUMSTOFFSCHUTZ FUR SCHLAUCH	01/01/1900	31/12/4999	1

<CONTINUE ...>

Ersatzteilliste

Maschine 010020208 LBCF COPM 16C60XECH DFOV EUDORA WA855 A 230V 50HZ

<i>Ersatz.</i>	<i>Pos.Expl.</i>	<i>Beschreib.</i>	<i>Laufzeit</i>		<i>Men</i>
432028400	CFD009	FESTSTELLSCHRAUBE KLEMMENBRETT BEIM MOEBEL	02/02/2004	28/02/2006	1
432004900	CFD009	FESTSTELLSCHRAUBE KLEMMENBRETT BEIM MOEBEL	01/01/1900	02/02/2004	2
534009600	CFD010	ELEKTROVENTIL	13/02/2005	31/12/4999	1
534008700	CFD010	ELEKTROVENTIL	01/01/1900	13/02/2005	1
352011500	CFD013	FIXIERGEHAEUSE DRUCKWAECHTER	01/01/1900	31/12/4999	1
432009400	CFD014	FESTSTELLSCHRAUBE GEHAEUSE DRUCKWAECHTER	22/07/2002	31/12/4999	2
432008500	CFD014	FESTSTELLSCHRAUBE GEHAEUSE DRUCKWAECHTER	01/01/1900	22/07/2002	2
398149600	CFD019	KABELDURCHGANG UND DRUCKWAECHTERHALTERUNG	01/01/1900	28/02/2006	1
520010600	CFD020	DRUCKWACHTER	01/01/1900	31/12/4999	1
408003100	CFD040	SCHLAUCHZULAUF	01/01/1900	31/12/4999	1
402009100	CFD050	DICHTUNG FUER ZULAUFSCHLAUCH	01/01/1900	31/12/4999	1
398019300	CFD070	KABELKLEMME	01/01/1900	28/02/2006	1
508015100	CFD100	NETZANSCHLUSSKABEL	01/01/1900	28/02/2006	1
508023300	CFD100	NETZANSCHLUSSKABEL	28/02/2006	31/12/4999	1
432032200	CFD110	ERDUNGSSCHRAUBE	01/01/1900	29/03/2006	2
432028100	CFD110	ERDUNGSSCHRAUBE	29/03/2006	31/12/4999	2
436000200	CFD150	U-SCHEIBE F.KLEMMENBRETTSTUTZE	01/01/1900	28/09/2000	2

Ersatzteilliste

Maschine 010020208 LBCF COPM 16C60XECH DFOV EUDORA WA855 A 230V 50HZ

<i>Ersatz.</i>	<i>Pos.Expl.</i>	<i>Beschreib.</i>	<i>Laufzeit</i>		<i>Men</i>
430015500	CFD220	SCHRAUBE FUER ELEKTROVEN.	01/01/1900	12/12/2002	2
432028100	CFD220	SCHRAUBE FUER ELEKTROVEN.	02/02/2004	13/02/2005	2
432004600	CFD220	SCHRAUBE FUER ELEKTROVEN.	12/12/2002	02/02/2004	2
532005900	CFD240	ENTSTOERFILTER	01/01/1900	28/02/2006	1
560076800	CFD250	VERKABELUNG	01/01/1900	31/12/4999	1
432003900	CFD260	KABELHALTER-SCHRAUBE	01/01/1900	28/09/2000	2
432026100	CFD260	KABELHALTER-SCHRAUBE	28/09/2000	28/02/2006	1
402003900	CFD280	FILTERDICHTUNG F.ZULAUFSCHLAUCH	01/01/1900	25/02/2007	1
398233400	CFE001	SCHUTZSCHEIBE SICHTFENSTER	01/01/1900	31/12/4999	1
432009400	CFE002	SCHRAUBE ZUR FIXIERUNG TUERVERRIEGELUNG AN MOEB01/01/1900	01/01/1900	31/12/4999	2
441006200	CFE010	RING MIT SCHRAUBE FUER BALGENDICHTUNG	01/01/1900	31/12/4999	1
404001000	CFE020	FENSTERMANSCHETTE	01/01/1900	31/12/4999	1
441006300	CFE030	SPANNRING FUER FENSTERMANSCHETTE	01/01/1900	31/12/4999	1
493065100	CFE040	SICHTFENSTERGLAS	01/01/1900	31/12/4999	1
338004302	CFE050	SICHTFENSTER RAHMEN	01/01/1900	31/12/4999	1
530001500	CFE060	TUERSCHALTER	01/01/1900	31/12/4999	1
324004003	CFE080	SICHTFENSTERGRIFF	01/01/1900	31/12/4999	1

Ersatzteilliste

Maschine 010020208 LBCF COPM 16C60XECH DFOV EUDORA WA855 A 230V 50HZ

<i>Ersatz.</i>	<i>Pos.Expl.</i>	<i>Beschreib.</i>	<i>Laufzeit</i>		<i>Men</i>
719007803	CFE090	SET-SICHTFENSTERGRIFF	01/01/1900	31/12/4999	1
432003400	CFE100	SCHRAUBE F.SICHTFENSTERGLAS	01/01/1900	31/12/4999	6
266010200	CFE110	HALTER FUER SICHTFENSTERGLAS	01/01/1900	31/12/4999	6
432009300	CFE120	SCHRAUBE FUER SCHARNIER D.SICHTFENSTERS	01/01/1900	31/12/4999	3
432032200	CFE150	SCHRAUBE F.RUCKZUGFEDER D.KLINKE	01/01/1900	31/12/4999	2
444016100	CFE160	RUCKZUGFEDER F.KLINKE	01/01/1900	31/12/4999	1
443013500	CFE200	STIFT FUER TUERVERSCHLUSSHAKEN	01/01/1900	31/12/4999	1
398245800	CFE210	TURVERSCHLUSSHAKEN	01/01/1900	31/12/4999	1
398233600	CFE220	EINSATZSTUECK FUR TURVERSCHLUSSHAKEN	01/01/1900	31/12/4999	1
444017900	CFE230	FEDER	01/01/1900	31/12/4999	1
344002800	CFE250	UNTERRAHMEN F.SICHTFENSTER	01/01/1900	31/12/4999	1
518007600	CFF010	ELEKTROPUMPE	01/01/1900	31/12/4999	1
398196500	CFF020	FILTERGEHAEUSE	01/01/1900	31/12/4999	1
402042300	CFF023	MUFFE REZIRKULATION SEIFE	01/01/1900	31/12/4999	1
440001900	CFF024	SHELLE FUER ANSCHLUSS MUFFE-FILTERGEHAEUSE	01/01/1900	31/12/4999	2
414015700	CFF025	ANSCHLUSSROHR GEHAEUSE-MUFFE REZIRKULATION SEIF01/01/1900	01/01/1900	31/12/4999	1
398019200	CFF030	FILTEREINSATZ	01/01/1900	31/12/4999	1

<CONTINUE ...>

Ersatzteilliste

Maschine 010020208 LBCF COPM 16C60XECH DFOV EUDORA WA855 A 230V 50HZ

<i>Ersatzt.</i>	<i>Pos.Expl.</i>	<i>Beschreib.</i>	<i>Laufzeit</i>		<i>Men</i>
402004100	CFF040	DICHTUNGFILTER	01/01/1900	31/12/4999	1
441006000	CFF050	FILTERRING	01/01/1900	31/12/4999	1
350003500	CFF060	FILTERVERSCHLUSS	01/01/1900	31/12/4999	1
402010500	CFF070	KURVE F.ABLAUFBUCHSE	01/01/1900	31/12/4999	1
398013000	CFF080	FILTERANSCHLUSS F.PUMPE	01/01/1900	31/12/4999	1
414012400	CFF090	SCHLAUCHABLAUF	01/01/1900	31/12/4999	1
440000500	CFF100	SCHELLE FUR FILTERANSCHLUSS D.PUMPE	01/01/1900	31/12/4999	2
440001700	CFF110	SCHELLE FUR ABLAUFBUCHSENKURVE	01/01/1900	31/12/4999	1
432008700	CFF120	SCHRAUBE FUER FILTER- GEHAEUSE	01/01/1900	31/12/4999	2
432009800	CFF130	SCHRAUBE FUER ELEKTROPUMPE	01/01/1900	31/12/4999	2
398019400	CFF140	SCHLAUCHKLEMME F.SCHLAUFE D.ABLAUFSCHLAUCHES	01/01/1900	31/12/4999	1
440000400	CFF150	SCHELLE F.ABFLUSSSCHLAUCH	01/01/1900	31/12/4999	1
354006600	CFF170	DRUCKWACHTERKAMMERHALTERUNG	01/01/1900	05/08/1993	1
354010400	CFF170	DRUCKWACHTERKAMMERHALTERUNG	05/08/1993	31/12/4999	1
432004900	CFF180	DRUCKWACHTERKAMMER-BEFESTIGUNGSSCHRAUBE	01/01/1900	02/02/2004	1
432028400	CFF180	DRUCKWACHTERKAMMER-BEFESTIGUNGSSCHRAUBE	02/02/2004	31/12/4999	1
414003500	CFF190	DRUCKWACHTERROHRE	01/01/1900	11/02/1998	1

Ersatzteilliste

Maschine 010020208 LBCF COPM 16C60XECH DFOV EUDORA WA855 A 230V 50HZ

<i>Ersatz.</i>	<i>Pos.Expl.</i>	<i>Beschreib.</i>	<i>Laufzeit</i>		<i>Men</i>
414005200	CFF190	DRUCKWACHERROHRE	11/02/1998	31/12/4999	1
440000100	CFF200	DRUCKWACHERSCHLAUCHSCHELLE MUFFENSEITE	01/01/1900	31/12/4999	1
432012900	CFG004	BEFESTIGUNGSSCHRAUBE BECKENBODEN	01/01/1900	31/12/4999	12
266013300	CFG007	WIDERSTANDS-BEFESTIGUNGSPLATTE	01/01/1900	31/12/4999	1
258002100	CFG010	QUERSTANGE FUER FEDER	01/01/1900	31/12/4999	1
490007600	CFG020	GEGENGEWICHT OBEN	01/01/1900	31/12/4999	1
430031100	CFG029	FESTSTELLSCHRAUBE RIEMENSCHLEIBE ROHRLEITUNG	01/01/1900	31/12/4999	1
726014700	CFG030	BOTTICH	01/01/1900	31/12/4999	1
434006500	CFG042	MUTTER F.GEGENGEWICHT OBEN	01/01/1900	31/12/4999	2
436005900	CFG043	U-SCHLEIBE F.GEGENGEWICHT OBEN	01/01/1900	31/12/4999	2
526022000	CFG044	FIXES THERMOSTAT MIT TEMPERATURSENSOR	01/01/1900	31/12/4999	1
402017200	CFG060	DICHTUNG FUER BOTTICH	01/01/1900	31/12/4999	1
441030400	CFG067	BUCHSE MOTOR HINTEN	01/01/1900	03/07/2005	2
428013900	CFG073	DISTANZSTUECK MOTORFIXIERUNG VORDERSEITE	01/01/1900	03/07/2005	2
430009000	CFG074	MOTORSCHRAUBE VORDERSEITE	01/01/1900	03/07/2005	2
490007700	CFG080	GEGENGEWICHT UNTEN	01/01/1900	31/12/4999	1
998036100	CFG130	MOTOR	01/01/1900	31/12/4999	1

Ersatzteilliste

Maschine 010020208 LBCF COPM 16C60XECH DFOV EUDORA WA855 A 230V 50HZ

<i>Ersatz.</i>	<i>Pos.Expl.</i>	<i>Beschreib.</i>	<i>Laufzeit</i>		<i>Men</i>
524006200	CFG140	WIDERSTAND	04/07/2006	31/12/4999	1
998003301	CFG140	WIDERSTAND	01/01/1900	04/07/2006	1
268087100	CFG160	RIEMENSCHLEIBE ANTRIEB	13/11/2002	31/12/4999	1
268002000	CFG160	RIEMENSCHLEIBE ANTRIEB	01/01/1900	13/11/2002	1
416002800	CFG170	TREIBRIEMEN	01/01/1900	31/12/4999	1
444011700	CFG200	AUFHAENGEFEDER BOTTICH	01/01/1900	31/12/4999	2
434000300	CFG210	SCHEIBENMUTTER	01/01/1900	10/06/2007	1
750267700	CFG240	DICHTUNGSRING	04/01/2005	31/12/4999	1
750000100	CFG240	DICHTUNGSRING	01/01/1900	04/01/2005	1
434002100	CFG290	MUTTER F.GEGENGEWICHT	01/01/1900	31/12/4999	3
436001700	CFG300	U-SCHLEIBE F.GEGENGEWICHT	01/01/1900	31/12/4999	3
398079200	CFG310	EINSATZSTUECK FUER GEGENGEWICHT	01/01/1900	31/12/4999	3
430026800	CFG380	SCHRAUBE FUER MOTOR	01/10/2002	31/12/4999	4
430016400	CFG380	SCHRAUBE FUER MOTOR	01/01/1900	01/10/2002	4
436000600	CFG390	U-SCHLEIBE FUER MOTOR	01/01/1900	31/12/4999	4
441008900	CFG400	MOTORBUCHSE	01/01/1900	31/12/4999	4
434002100	CFG410	MUTTER FUER MOTOR	01/01/1900	31/12/4999	4

<CONTINUE ...>

Ersatzteilliste

Maschine 010020208 LBCF COPM 16C60XECH DFOV EUDORA WA855 A 230V 50HZ

<i>Ersatz.</i>	<i>Pos.Expl.</i>	<i>Beschreib.</i>	<i>Laufzeit</i>		<i>Men</i>
499003600	CFG430	FEDERRING	01/01/1900	31/12/4999	2
432028100	CFG440	F.FEDERQUERSTUCK	02/02/2004	31/12/4999	4
432004600	CFG440	F.FEDERQUERSTUCK	01/01/1900	02/02/2004	4
430007200	CFG450	SCHRAUBE FUER GEGENGEWICHT UNTEN	01/01/1900	31/12/4999	3
720344000	CFG530	FLANSCH + TROMMEL-SET	01/01/1900	10/06/2007	1
720593100	CFG530	FLANSCH + TROMMEL-SET	10/06/2007	31/12/4999	1
428004600	CFG540	MOTORBEFESTIGUNGSDISTANZSTUCK	01/01/1900	31/12/4999	4
718008200	CFG550	SET BODEN+LAGER	01/01/1900	04/01/2005	1
718013000	CFG550	SET BODEN+LAGER	04/01/2005	31/12/4999	1
402008800	CFG570	DICHTUNG FUER THERMOSTAT	01/01/1900	31/12/4999	1
436001300	CFG580	UNTERLEGSCHIEBE F.RIEMENSCHIEBE	01/01/1900	10/06/2007	1
402032500	CFG600	DICHTUNG F.BEFESTIGUNG D.GEGENGEWICHT-SCHRAUBE	01/01/1900	31/12/4999	2
430011700	CFG620	MOTOR-ERDUNGSSCHRAUBE	01/01/1900	31/12/4999	1
436000100	CFG630	U-SCHIEBE F.MOTOR-U.BOTTICHERDUNG	01/01/1900	29/03/2005	1
436001200	CFG630	U-SCHIEBE F.MOTOR-U.BOTTICHERDUNG	29/03/2005	31/12/4999	1
750267800	CFG670	LAGEREINHEIT	04/01/2005	31/12/4999	1
750000500	CFG670	LAGEREINHEIT	01/01/1900	04/01/2005	1

Ersatzteilliste

Maschine 010020208 LBCF COPM 16C60XECH DFOV EUDORA WA855 A 230V 50HZ

<i>Ersatz.</i>	<i>Pos.Expl.</i>	<i>Beschreib.</i>	<i>Laufzeit</i>		<i>Men</i>
402000900	CFG680	PFEIFEN-DRUCKWACHTER-VERSCHLUBSTOPFEN	01/01/1900	31/12/4999	1
499003200	CFG690	SCHWINGUNGSDAEPFER	01/01/1900	31/12/4999	2
434003100	CFG710	BEFESTIGUNGSMUTTER SCHWINGUNGSDAEMPFER	01/01/1900	31/12/4999	4
430013800	CFG720	BEFESTIGUNGSSCHRAUBE SCHWINGUNGSDAEMPFER	01/01/1900	31/12/4999	4
432007500	CFZ010	SCHRAUBE F.VERPACKUNG	01/01/1900	31/12/4999	4
436000400	CFZ020	U-SCHEIBE F.SCHRAUBE D.VERPACKUNG	01/01/1900	31/12/4999	4
461305953	CFZ025	HANDBUCH TECHNISCHE DATEN	01/01/1900	31/12/4999	1
461305701	CFZ025	HANDBUCH TECHNISCHE DATEN	01/01/1900	31/12/4999	1
470006200	CFZ030	GUMMI-VERPACKUNGSSTOPFEN	01/01/1900	31/12/4999	4
470004600	CFZ040	DISTANZSTUCK AUS KUNSTSTOFF F.VERPACKUNG	01/01/1900	31/12/4999	4
434000600	CFZ120	ERDUNGSMUTTER FUER BOTTICH	01/01/1900	31/12/4999	1
470038000	CFZ280	UNTERE VERPACKUNGS-UMHUELLUNG	01/01/1900	31/12/4999	1
470038400	CFZ290	OBERE VERPACKUNGS-UMHUELLUNG	01/01/1900	31/12/4999	1
476009000	CFZ300	VORDERES WINKELPROFIL RECHTS-LINKS	01/01/1900	31/12/4999	2
476017100	CFZ310	HINTERES WINKELPROFIL RECHTS-LINKS	01/01/1900	31/05/2004	2
476009100	CFZ310	HINTERES WINKELPROFIL RECHTS-LINKS	31/05/2004	31/12/4999	2
461305712	CFZ330	GEBRAUCHSANWEISUNG	01/01/1900	31/12/4999	1

Ersatzteilliste

Maschine 010020208 LBCF COPM 16C60XECH DFOV EUDORA WA855 A 230V 50HZ

<i>Ersatzt.</i>	<i>Pos.Expl.</i>	<i>Beschreib.</i>	<i>Laufzeit</i>		<i>Men</i>
466000001	LVD001	DOKUMENT MANUELLE ABNAHME MODUL MINI-SEL	01/01/1900	20/12/2004	1
466000016	LVD008	DOKUMENT TECHNISCHE INFORMATION MAGNETISCHE ENTKALKER	01/01/1900	31/12/4999	1
466000050	LVD035	WARTUNGSHANDBUCH FUER ELEKTRONEN GERAETE	01/01/1900	31/12/4999	1
466000065	LVD044	ELEKTRONISCHES WARTUNGSHANDBUCH	01/01/1900	31/12/4999	1
466000096	LVD055	INFO-DOKUMENT AUSTAUSCH GRIFF WASCHMITTELSCHUBLADE	01/01/1900	31/12/4999	1
466000100	LVD057	DOKUMENT WANNENAUSTAUSCH SOCKEL	01/01/1900	31/12/4999	1
466000110	LVD060	DOKUMENT WANNENAUSTAUSCH HARDWARE MODULO	01/01/1900	31/12/4999	1
750294500	LVK005	KIT MOTORFIXIERUNG	03/07/2005	31/12/4999	1
750220500	LVK005	KIT MOTORFIXIERUNG	01/01/1900	03/07/2005	1
750340200	LVK104	KIT WANNENAUSTAUSCH SOCKEL	01/01/1900	31/12/4999	1
460611396	LVZ000	ELEKTRISCHER SCHALTPLAN	01/01/1900	31/12/4999	1