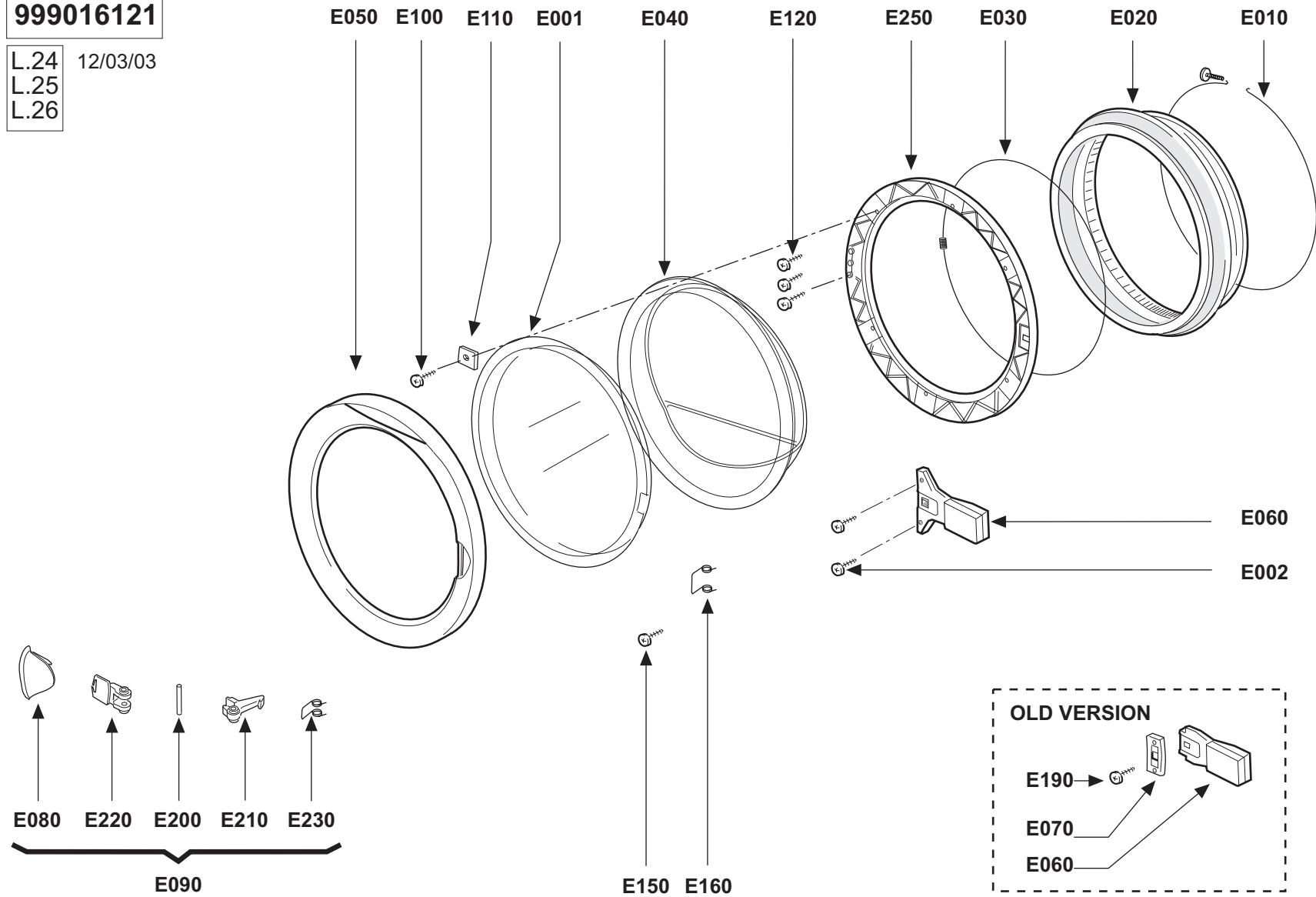


999016121

L.24 12/03/03
L.25
L.26



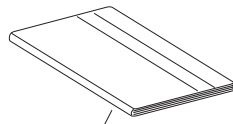
999016228

SHRINK PACKING FREE-STANDING

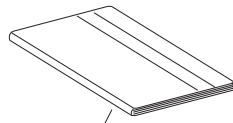
14/09/2006

Z290

Z310



Z330
INSTRUCTIONS
FOR USE

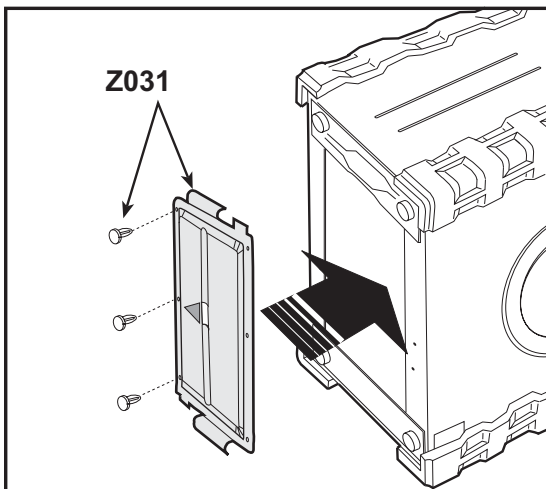


Z025
TECHNICAL DATAS
BOOKLET

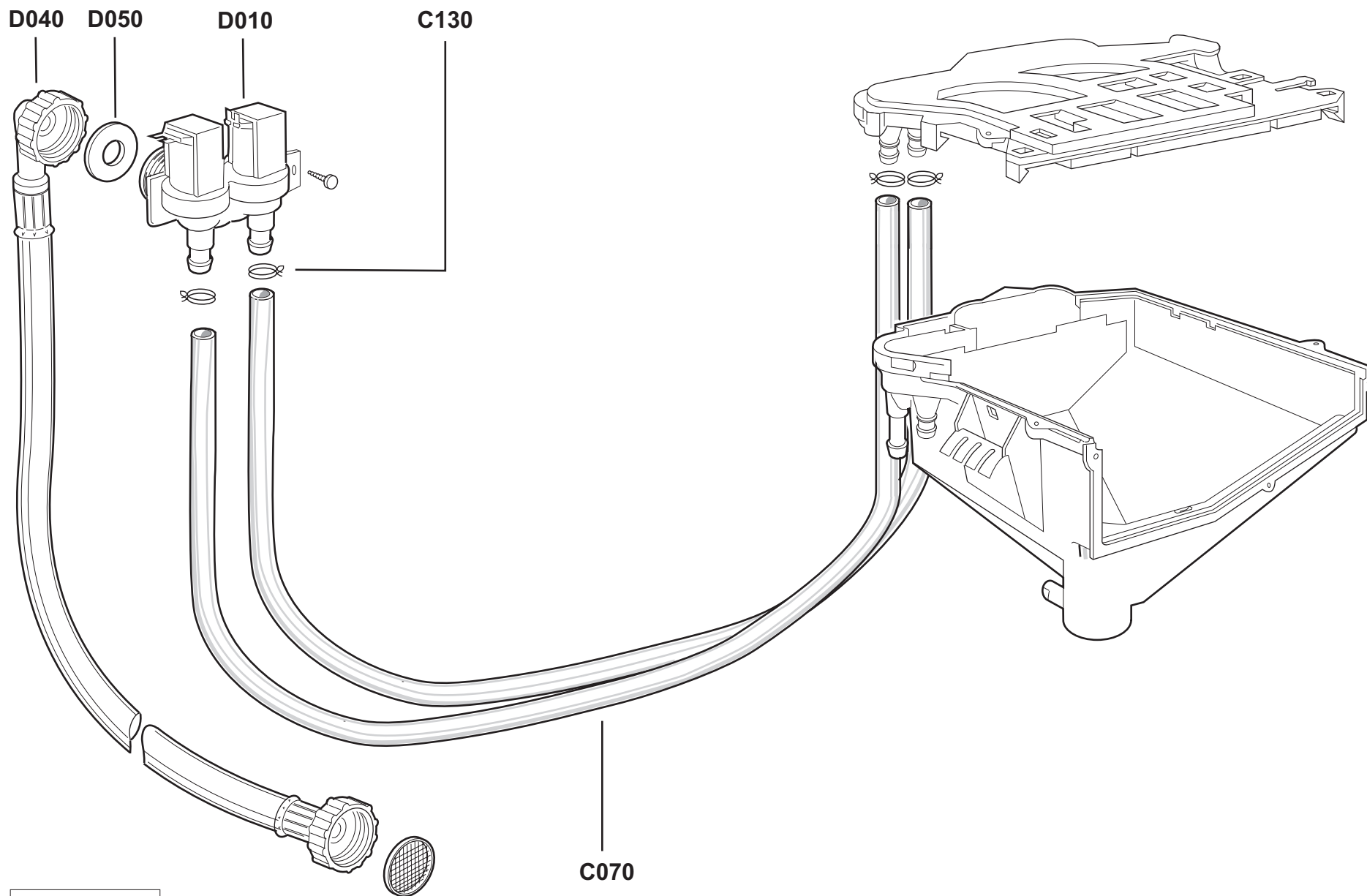
Z300

Z024

Z280



Used only for Washing Machines
33 and 39 cm depth

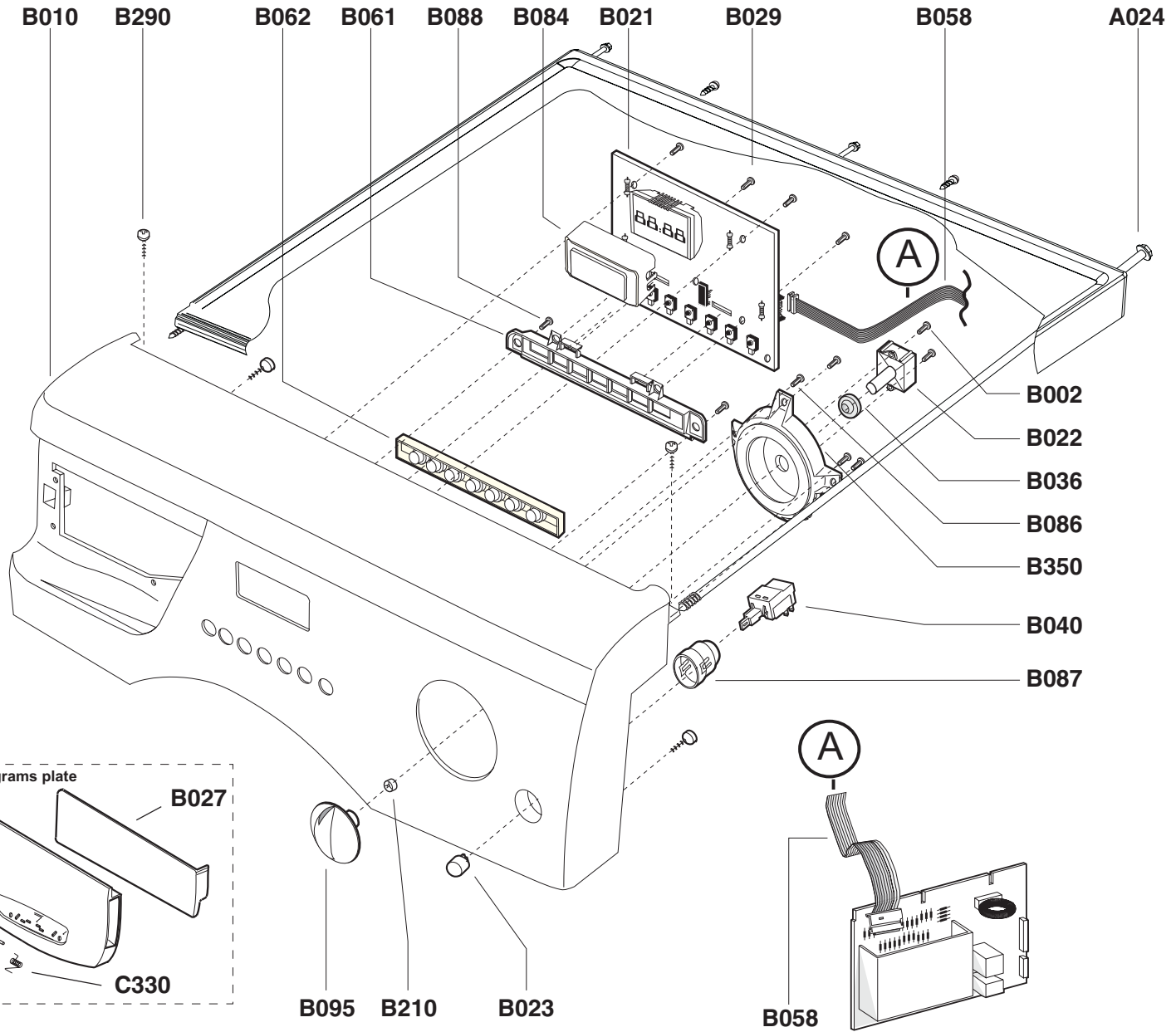


999043304

LBCF - 2 ELETTROVALVOLE
AF-ELECTRONIC
09/03/2007

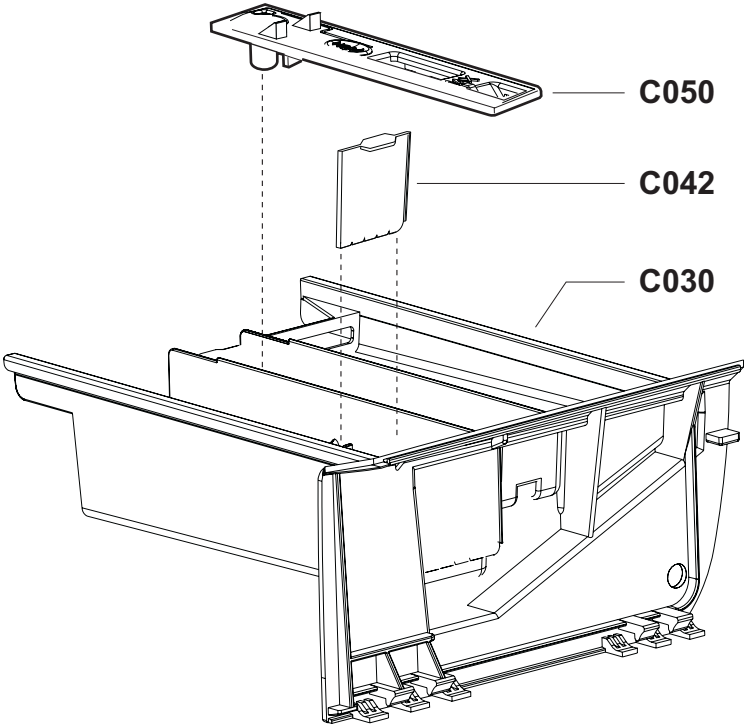
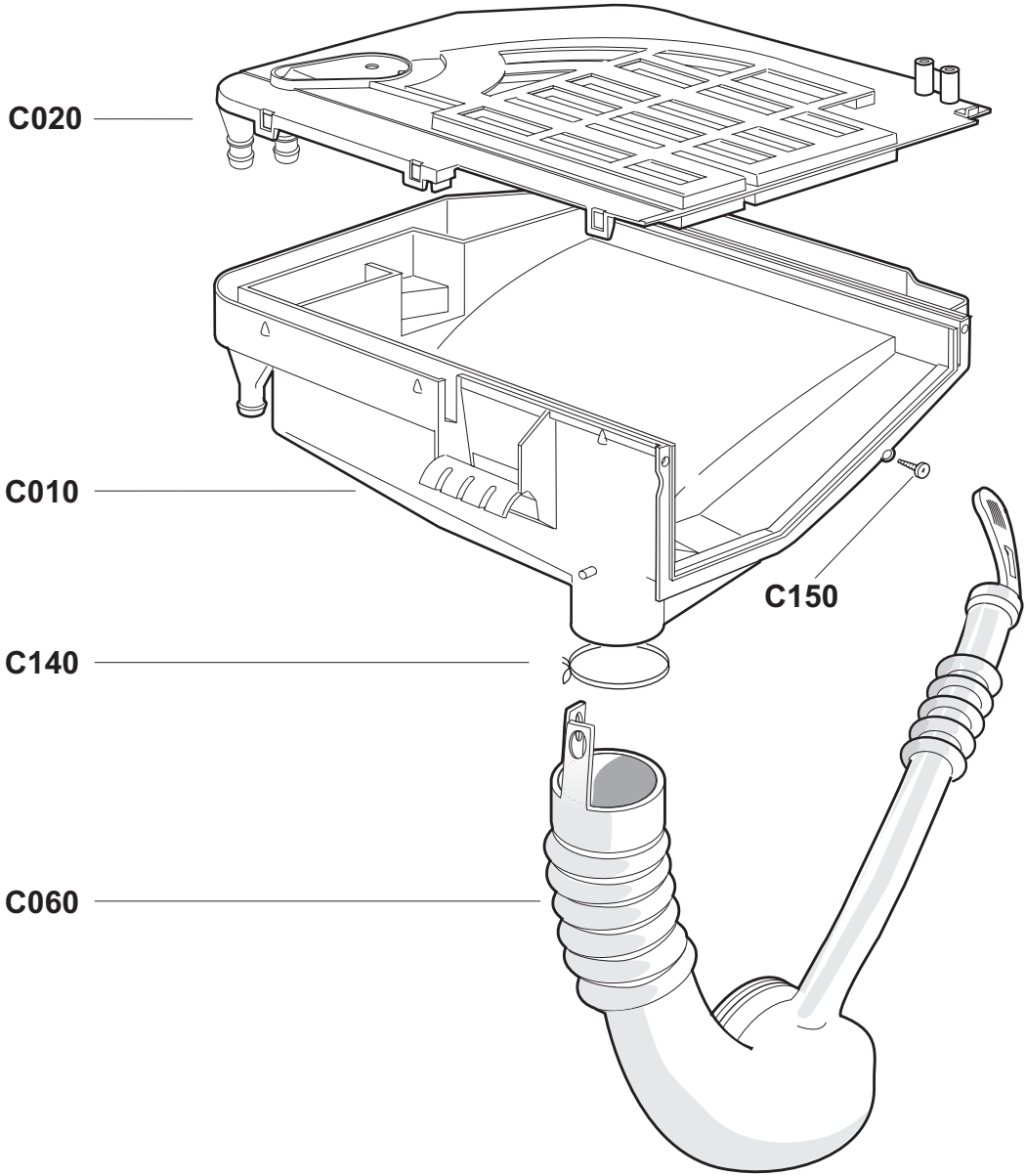
999045204

Control Panel
CD - LCD
10/05/2004



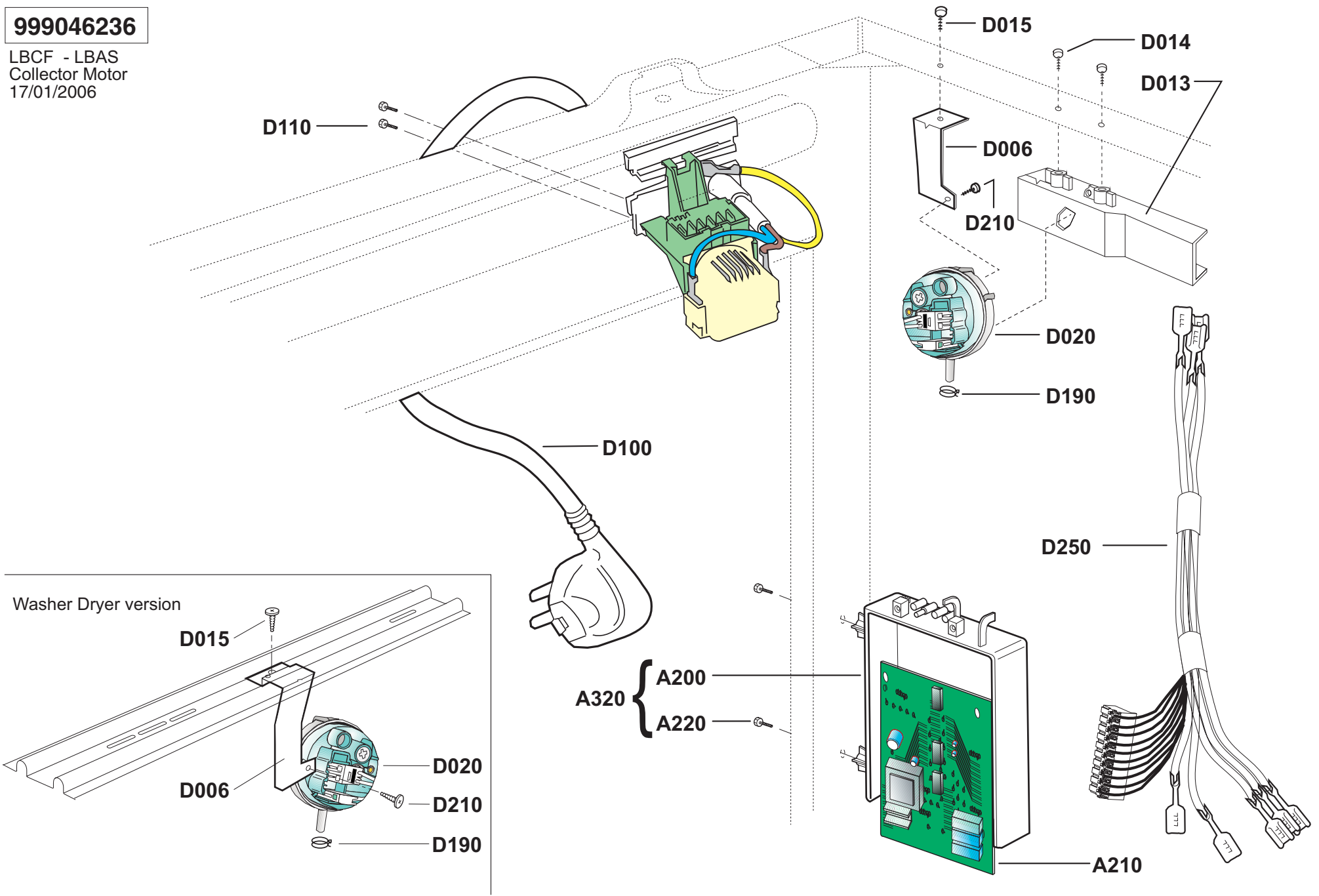
999045208

CFE with 2 Water Valve
Control panel:
CD-CE-CL-CM-CN-CR
09/03/2007



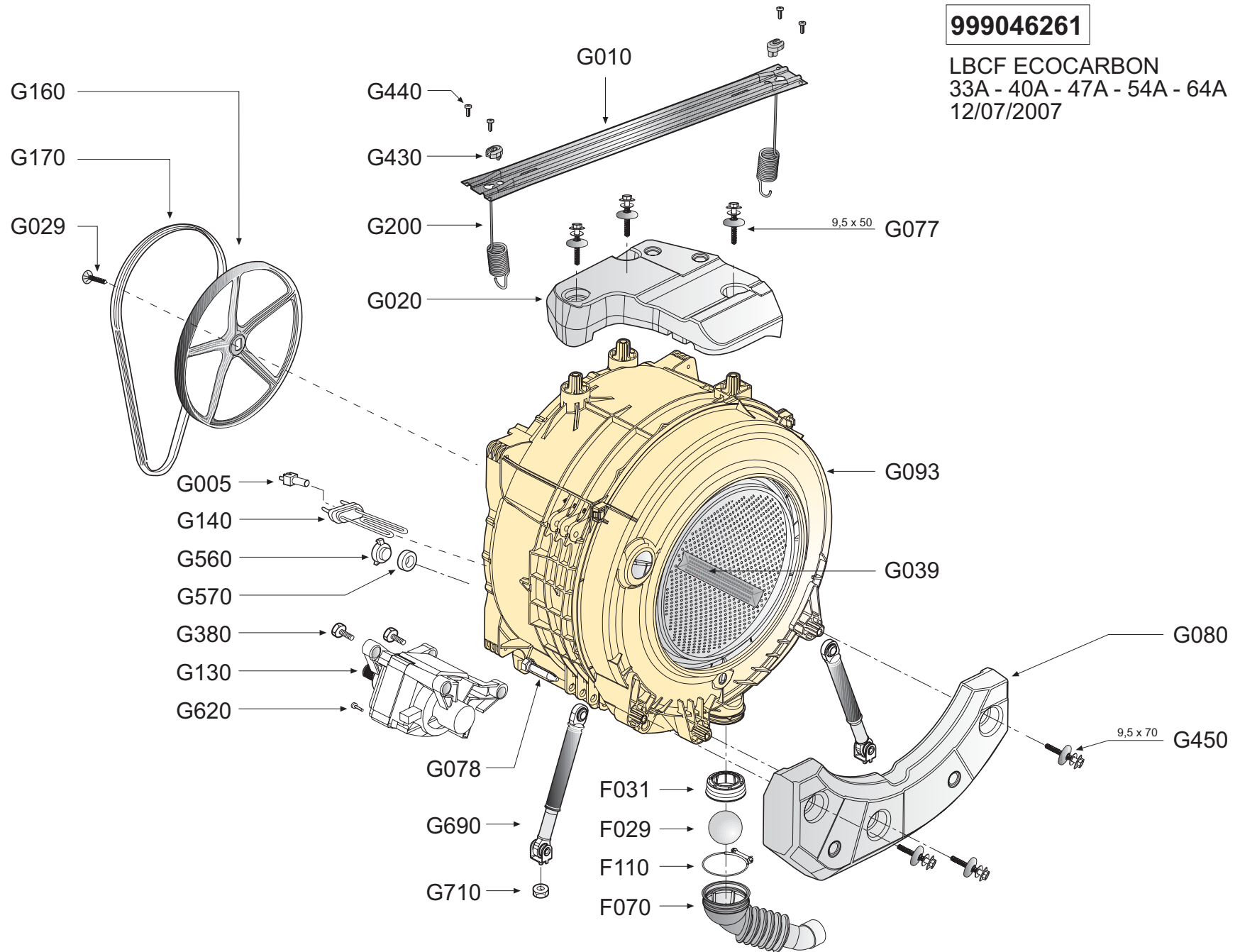
999046236

LBCF - LBAS
Collector Motor
17/01/2006



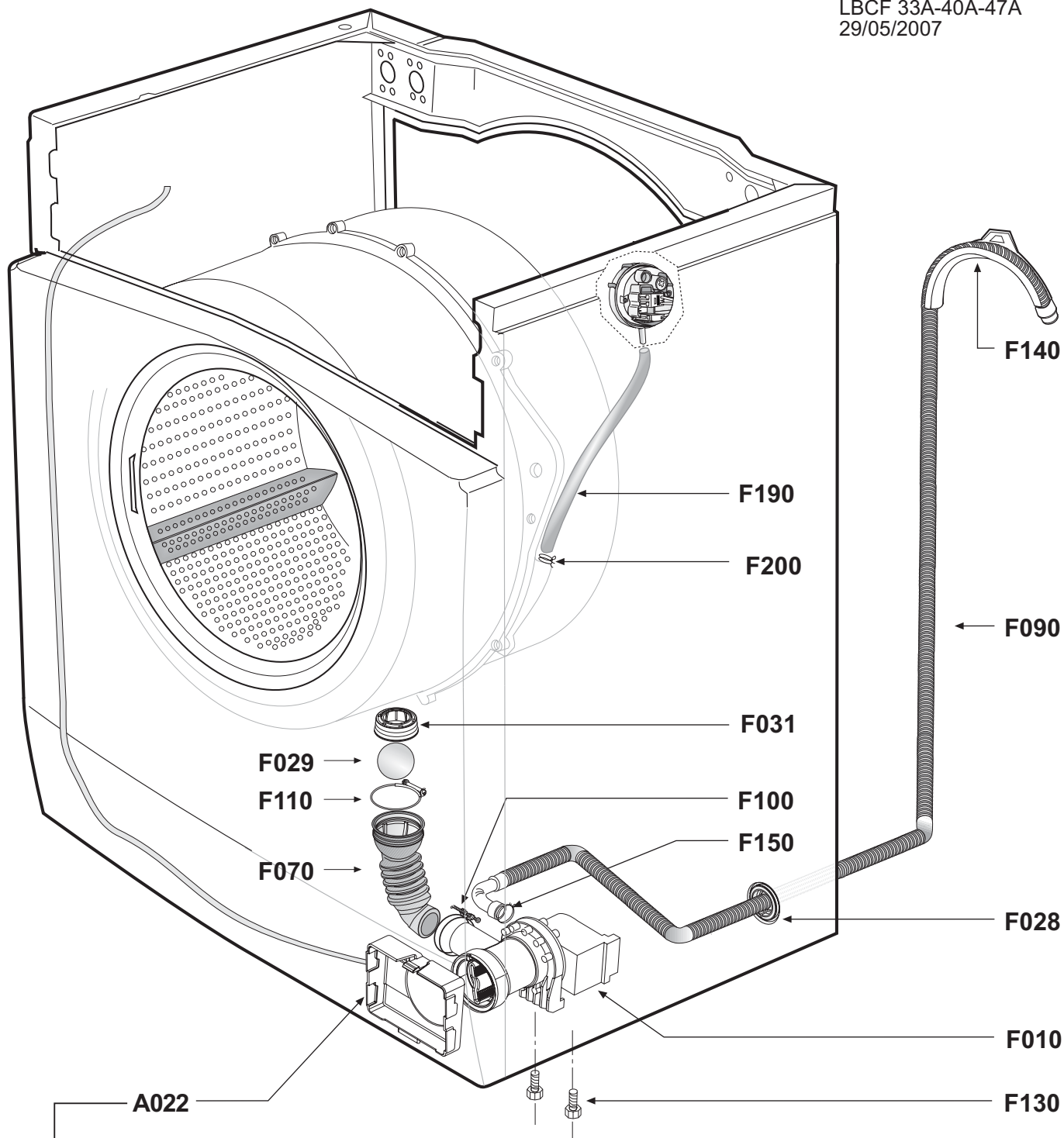
999046261

LBCF ECOCARBON
33A - 40A - 47A - 54A - 64A
12/07/2007



999046361

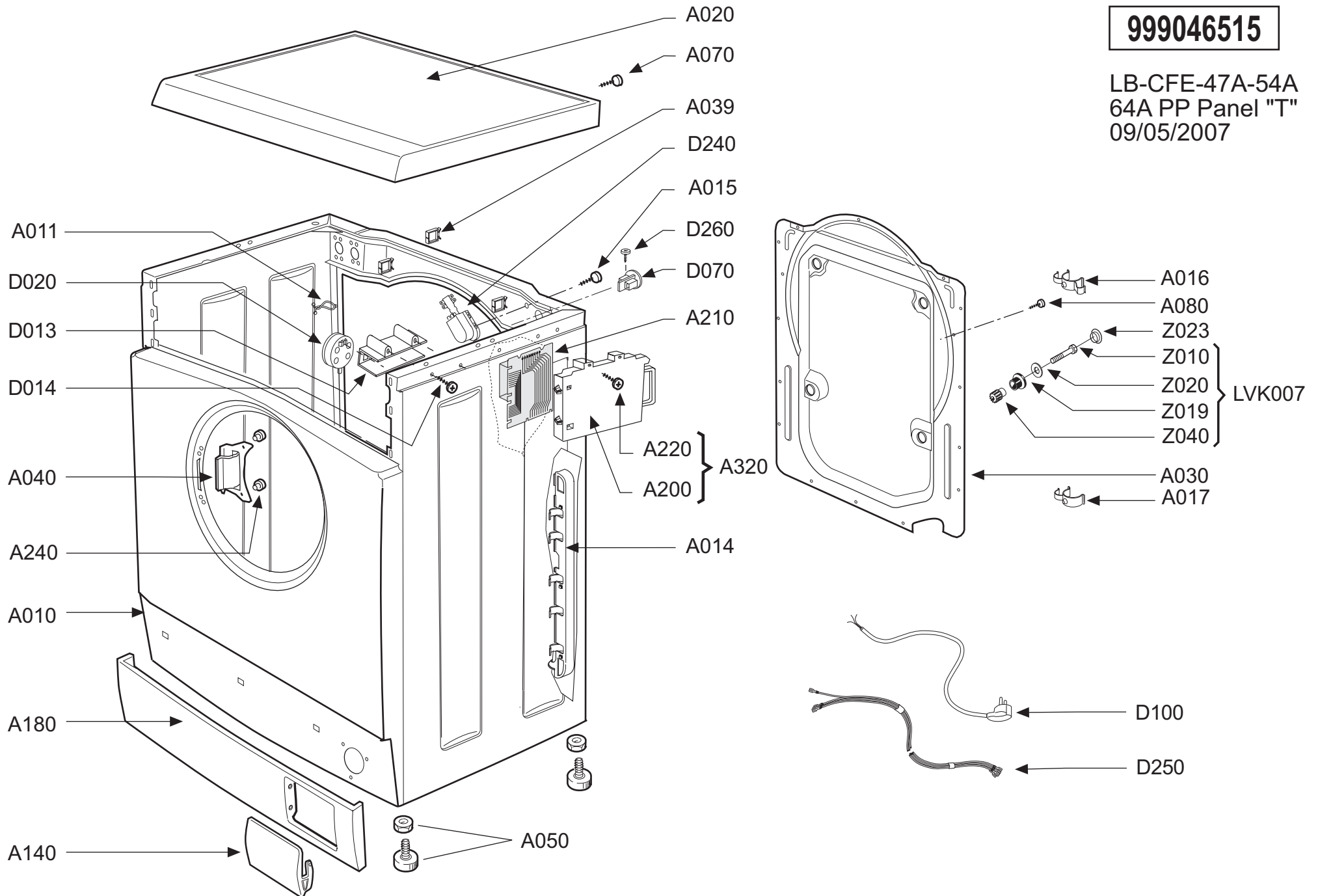
Eco-Ball & Self cleaning
drain pump system
LBCF 33A-40A-47A
29/05/2007

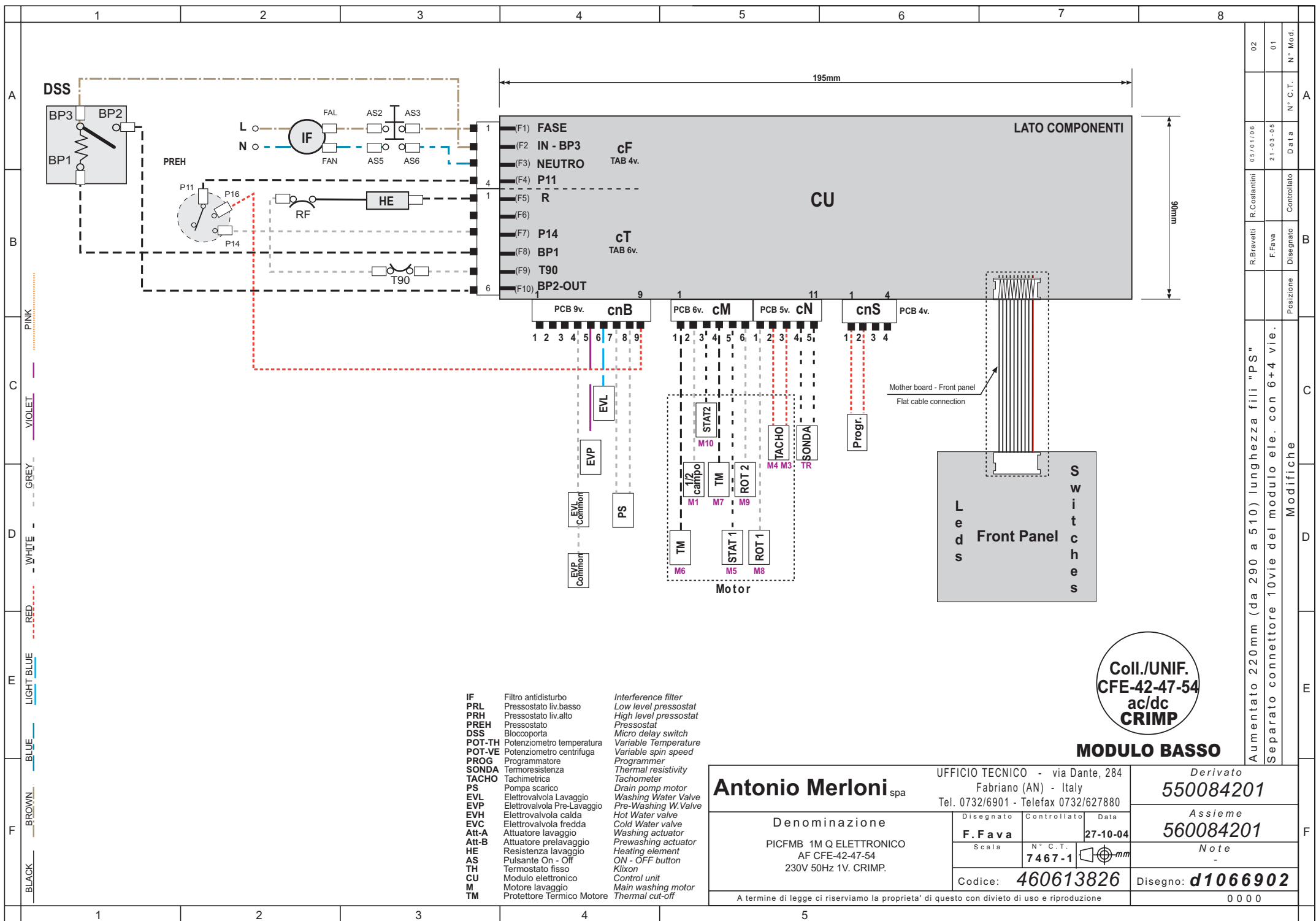


- I** → Protezione Pompa utilizzata esclusivamente su macchine provviste di Pannello frontale "T".
- F** → Protection Pompe de vidange utilisée exclusivement dans les machines ayant le Panneau frontal "T".
- GB** → Pump Cover used exclusively on machines fitted with "T" type cabinet front Panel.
- D** → Pumpenschutz ausschließlich an Maschinen mit Frontpaneel "T".
- E** → Protección Bomba utilizada exclusivamente en máquinas dotadas de Panel frontal "T".

999046515

LB-CFE-47A-54A
64A PP Panel "T"
09/05/2007





- | | | |
|---------------|-----------------------------|------------------------------|
| IF | Filtro antidisturbo | <i>Interference filter</i> |
| PRL | Pressostato liv.basso | <i>Low level pressostat</i> |
| PRH | Pressostato liv.alto | <i>High level pressostat</i> |
| PREH | Pressostato | <i>Pressostat</i> |
| DSS | Bloccoporta | <i>Micro delay switch</i> |
| POT-TH | Potenzimetro temperatura | <i>Variable Temperature</i> |
| POT-VE | Potenzimetro centrifuga | <i>Variable spin speed</i> |
| PROG | Programmatore | <i>Programmer</i> |
| SONDA | Termoresistenza | <i>Thermal resistivity</i> |
| TACHO | Tachimetrica | <i>Tachometer</i> |
| PS | Pompa scarico | <i>Drain pump motor</i> |
| EVL | Elettrovalvola Lavaggio | <i>Washing Water Valve</i> |
| EVP | Elettrovalvola Pre-Lavaggio | <i>Pre-Washing W.Valve</i> |
| EVH | Elettrovalvola calda | <i>Hot Water valve</i> |
| EVC | Elettrovalvola fredda | <i>Cold Water valve</i> |
| Att-A | Attuatore lavaggio | <i>Washing actuator</i> |
| Att-B | Attuatore prelavaggio | <i>Prewashing actuator</i> |
| HE | Resistenza lavaggio | <i>Heating element</i> |
| AS | Pulsante On - Off | <i>ON - OFF button</i> |
| TH | Termostato fisso | <i>Klixon</i> |
| CU | Modulo elettronico | <i>Control unit</i> |
| M | Motore lavaggio | <i>Main washing motor</i> |
| TM | Protettore Termico Motore | <i>Thermal cut-off</i> |

**Coil./UNIF.
CFE-42-47-54
ac/dc
CRIMP**

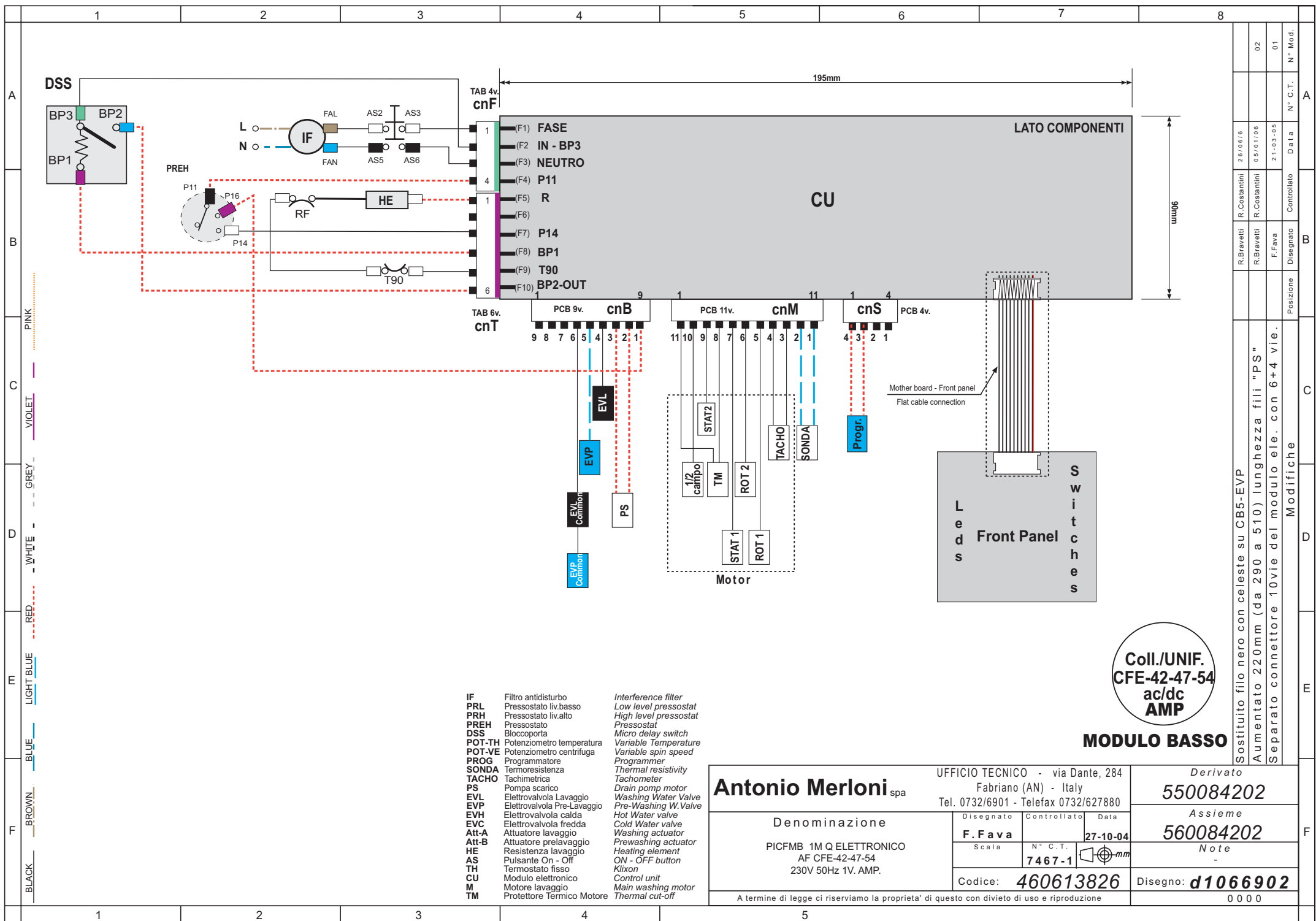
MODULO BASSO

Antonio Merloni spa Denominazione PICFMB 1M Q ELETTRONICO AF CFE-42-47-54 230V 50Hz 1V. CRIMP.		UFFICIO TECNICO - via Dante, 284 Fabriano (AN) - Italy Tel. 0732/6901 - Telefax 0732/627880		Derivato 550084201	
		Disegnato F. Fava Controllato Data Scala 7 467 - 1 N° C.T. 27-10-04		Assieme 560084201	
Codice: 460613826		Disegno: d1066902		Note -	
A termine di legge ci riserviamo la proprieta' di questo con divieto di uso e riproduzione				0 0 0	

02	01	N° Mod.
05/01/06	21-03-05	Data
R.Costantini	F.Fava	Controllo
R.Bravetti	F.Fava	Disegnato
		Posizione

Aumentato 220mm (da 290 a 510) lunghezza fili "PS"
Separato connettore 10vie del modulo ele. con 6+4 vie.

Modifiche



- | | | |
|---------------|-----------------------------|------------------------------|
| IF | Filtro antidisturbo | <i>Interference filter</i> |
| PRL | Pressostato liv.basso | <i>Low level pressostat</i> |
| PRH | Pressostato liv.alto | <i>High level pressostat</i> |
| PREH | Pressostato | <i>Pressostat</i> |
| DSS | Bloccoporta | <i>Micro delay switch</i> |
| POT-TH | Potenziometro temperatura | <i>Variable Temperature</i> |
| POT-VE | Potenziometro centrifuga | <i>Variable spin speed</i> |
| PROG | Programmatore | <i>Programmer</i> |
| SONDA | Termoresistenza | <i>Thermal resistivity</i> |
| TACHO | Tachimetrica | <i>Tachometer</i> |
| PS | Pompa scarico | <i>Drain pump motor</i> |
| EVL | Elettrovalvola Lavaggio | <i>Washing Water Valve</i> |
| EVP | Elettrovalvola Pre-Lavaggio | <i>Pre-Washing W.Valve</i> |
| EVH | Elettrovalvola calda | <i>Hot Water valve</i> |
| EVC | Elettrovalvola fredda | <i>Cold Water valve</i> |
| Att-A | Attuatore lavaggio | <i>Washing actuator</i> |
| Att-B | Attuatore prelavaggio | <i>Prewashing actuator</i> |
| HE | Resistenza lavaggio | <i>Heating element</i> |
| AS | Pulsante On - Off | <i>ON - OFF button</i> |
| TH | Termostato fisso | <i>Klixon</i> |
| CU | Modulo elettronico | <i>Control unit</i> |
| M | Motore lavaggio | <i>Main washing motor</i> |
| TM | Protettore Termico Motore | <i>Thermal cut-off</i> |

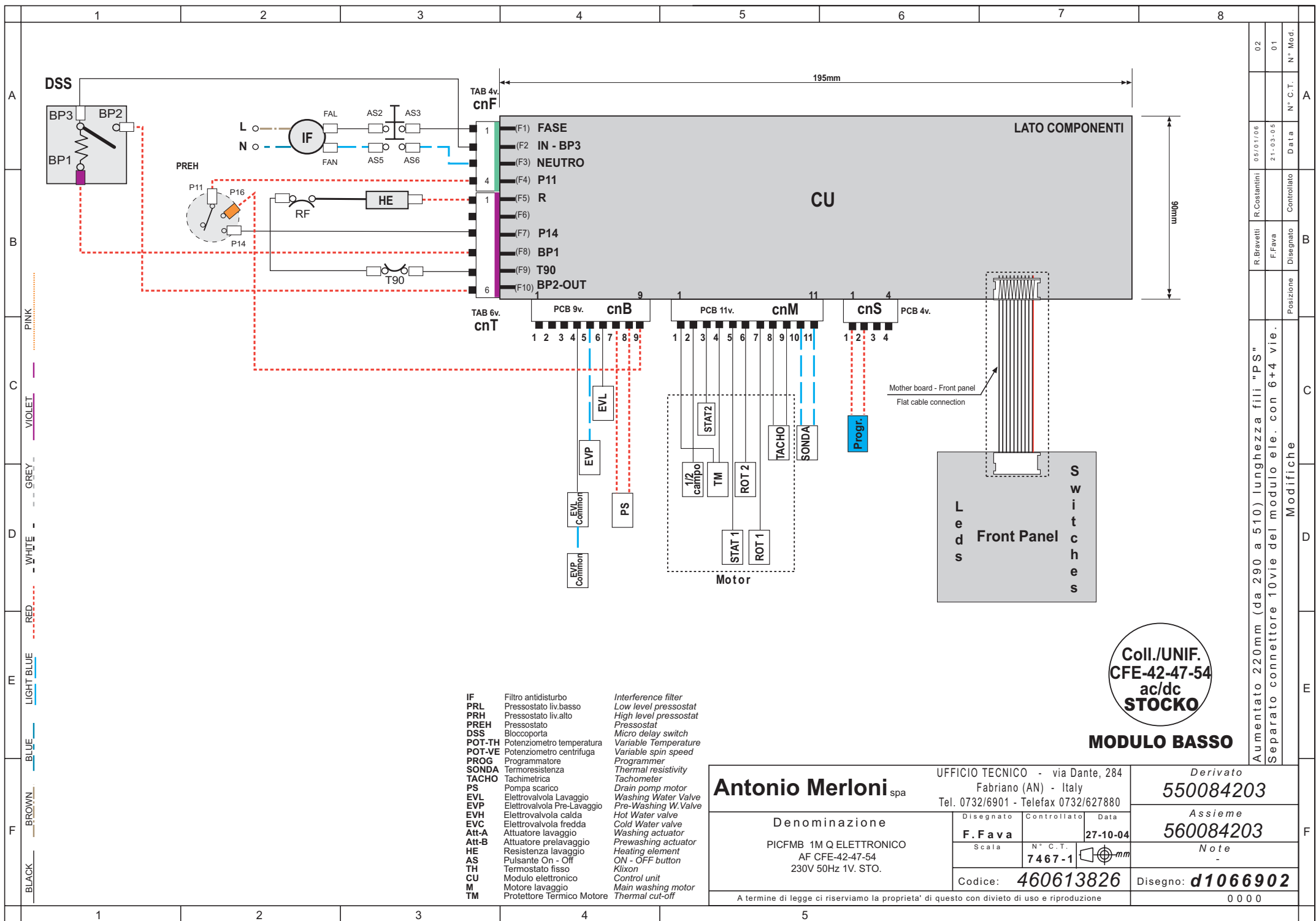
**Coil./UNIF.
CFE-42-47-54
ac/dc
AMP**

MODULO BASSO

Antonio Merloni spa Denominazione PICFMB 1M Q.ELETTRONICO AF CFE-42-47-54 230V 50Hz 1V. AMP.		UFFICIO TECNICO - via Dante, 284 Fabriano (AN) - Italy Tel. 0732/6901 - Telefax 0732/627880		Derivato 550084202	
		Disegnato F. Fava Controllato Data Scala N° C.T. 27-10-04		Assieme 560084202	
Codice: 460613826		Disegno: d1066902		Note -	
A termine di legge ci riserviamo la proprieta' di questo con divieto di uso e riproduzione				0 0 0	

02	01	N° Mod.
26/06/8	05/01/06	Data
R.Costantini	R.Costantini	Controlato
R.Bravetti	F.Fava	Disegnato
		Posizione

Sostituito filo nero con celeste su CB5-EVP
 Aumentato 220mm (da 290 a 510) lunghezza fili "PS"
 Separato connettore 10vie del modulo ele. con 6+4 vie.



- | | | |
|---------------|-----------------------------|------------------------------|
| IF | Filtro antidisturbo | <i>Interference filter</i> |
| PRL | Pressostato liv.basso | <i>Low level pressostat</i> |
| PRH | Pressostato liv.alto | <i>High level pressostat</i> |
| PREH | Pressostato | <i>Pressostat</i> |
| DSS | Bloccoporta | <i>Micro delay switch</i> |
| POT-TH | Potenzimetro temperatura | <i>Variable Temperature</i> |
| POT-VE | Potenzimetro centrifuga | <i>Variable spin speed</i> |
| PROG | Programmatore | <i>Programmer</i> |
| SONDA | Termoresistenza | <i>Thermal resistivity</i> |
| TACHO | Tachimetria | <i>Tachometer</i> |
| PS | Pompa scarico | <i>Drain pump motor</i> |
| EVL | Elettrovalvola Lavaggio | <i>Washing Water Valve</i> |
| EVP | Elettrovalvola Pre-Lavaggio | <i>Pre-Washing W.Valve</i> |
| EVH | Elettrovalvola calda | <i>Hot Water valve</i> |
| EVC | Elettrovalvola fredda | <i>Cold Water valve</i> |
| Att-A | Attuatore lavaggio | <i>Washing actuator</i> |
| Att-B | Attuatore prelavaggio | <i>Prewashing actuator</i> |
| HE | Resistenza lavaggio | <i>Heating element</i> |
| AS | Pulsante On - Off | <i>ON - OFF button</i> |
| TH | Termostato fisso | <i>Klixon</i> |
| CU | Modulo elettronico | <i>Control unit</i> |
| M | Motore lavaggio | <i>Main washing motor</i> |
| TM | Protettore Termico Motore | <i>Thermal cut-off</i> |

Coll./UNIF.
CFE-42-47-54
ac/dc
STOCKO

MODULO BASSO

Antonio Merloni spa		UFFICIO TECNICO - via Dante, 284 Fabriano (AN) - Italy Tel. 0732/6901 - Telefax 0732/627880		Derivato 550084203	
		Assieme 560084203		Note -	
Denominazione PICFMB 1M Q.ELETTRONICO AF CFE-42-47-54 230V 50Hz 1V. STO.		Disegnato F. Fava	Controllato Data 27-10-04	Codice: 460613826 Disegno: d1066902	
		Scala 7 4 6 7 - 1	N° C.T. 		
A termine di legge ci riserviamo la proprieta' di questo con divieto di uso e riproduzione					0 0 0

Aumentato 220mm (da 290 a 510) lunghezza fili "PS"
Separato connettore 10vie del modulo ele. con 6+4 vie.

Modifiche

R.Costantini	05/01/06	21-03-05	Data	N° C.T.	N° Mod.
R.Bravetti	F.Fava	Disegnato	Controllato		

A
B
C
D
E
F

BLACK
BROWN
BLUE
LIGHT BLUE
RED
WHITE
GREY
VIOLET
PINK

1 2 3 4 5 6 7 8

1 2 3 4 5

Ersatzteilliste

Maschine 010576027 LBCF ELIN 16CF5H DV EUDORA WA855 A 230V 50HZ

<i>Ersatz.</i>	<i>Pos.Expl.</i>	<i>Beschreib.</i>	<i>Laufzeit</i>		<i>Men</i>
432028100	CFA009	BEFESTIGUNGSSCHRAUBEN HAKEN SCHLAUCH ELEKTROVENTIL	01/01/1900	21/03/2007	1
710091701	CFA010	GEHAEUSE	01/01/1900	31/12/4999	1
398034000	CFA011	SENKEL HAKEN VERKABELUNG	01/01/1900	31/12/4999	2
354023800	CFA014	VERTIKALE HALTERUNG SITZ VERKABELUNG	01/01/1900	31/12/4999	1
398114700	CFA016	SCHLAUCHBEFESTIGER ZUFLUSS-ABFLUSS WASSER GESCHLOSSEN	01/01/1900	31/12/4999	2
398027000	CFA017	SCHLAUCHBEFESTIGER ZUFLUSS-ABFLUSS WASSER OFFE	01/01/1900	31/12/4999	2
721074300	CFA020	OBERER DECKEL	01/01/1900	31/12/4999	1
432032400	CFA024	SCHRAUBE OBERER DECKEL-STIRNBRETT	01/01/1900	31/12/4999	2
276006701	CFA030	RUECKWARTIGER DECKEL	01/01/1900	31/12/4999	1
398108000	CFA039	CLIP DRAHTFIXIERUNG MAGNETVENTIL	01/01/1900	31/12/4999	3
246027400	CFA040	SCHARNIER	01/01/1900	31/12/4999	1
720168500	CFA050	FUSS REGULIERBAR	01/01/1900	31/12/4999	4
432004900	CFA070	SCHRAUBE FUER OBEREN DECKEL	01/01/1900	28/04/2003	2
432028400	CFA070	SCHRAUBE FUER OBEREN DECKEL	28/04/2003	31/12/4999	2
432028100	CFA080	SCHRAUBE FUER RUECKWARTIGEN DECKEL	21/03/2007	31/12/4999	10
432004600	CFA080	SCHRAUBE FUER RUECKWARTIGEN DECKEL	01/01/1900	19/10/2001	10
398091100	CFA080	SCHRAUBE FUER RUECKWARTIGEN DECKEL	19/10/2001	21/03/2007	1

Ersatzteilliste

Maschine 010576027 LBCF ELIN 16CF5H DV EUDORA WA855 A 230V 50HZ

<i>Ersatz.</i>	<i>Pos.Expl.</i>	<i>Beschreib.</i>	<i>Laufzeit</i>		<i>Men</i>
398264500	CFA140	FILTERKLAPPE	01/01/1900	31/12/4999	1
366031100	CFA180	SOCKEL	01/01/1900	31/12/4999	1
368033100	CFA200	KARTENBEHALTER	01/01/1900	31/12/4999	1
546100800	CFA210	ELEKTRONIK-MODUL	01/01/1900	31/12/4999	1
432004900	CFA220	BEFESTIGUNGSSCHRAUBE F.KARTENBEHALTER	01/01/1900	02/02/2004	2
432028400	CFA220	BEFESTIGUNGSSCHRAUBE F.KARTENBEHALTER	02/02/2004	31/12/4999	2
438003300	CFA240	NIETE F.SICHTFENSTERSCHARNIER	01/01/1900	31/12/4999	4
720399600	CFA320	MODULTRAGER-GEHAUSEINHEIT	01/01/1900	31/12/4999	1
432003200	CFB002	FESTSTELLSCHRAUBE POTENTIOMETER	01/01/1900	31/12/4999	2
804659620	CFB010	BLENDRAHMEN	01/01/1900	31/12/4999	1
720464300	CFB021	ELEKTRONIKKARTE TASTEN+DISPLAY	01/01/1900	31/12/4999	1
502050300	CFB022	PROGRAMMSCHALTER	01/01/1900	31/12/4999	1
332069100	CFB023	ON-OFF TASTE	01/01/1900	31/12/4999	1
432026000	CFB029	FESTSTELLSCHRAUBE ELEKTRONIKKARTE	01/01/1900	31/12/4999	8
402027300	CFB036	DICHTUNG FUER POTENTIOMETER	01/01/1900	31/12/4999	1
522006701	CFB040	DRUCK KNOPFTAFEL	01/01/1900	03/11/2004	1
522006700	CFB040	DRUCK KNOPFTAFEL	03/11/2004	31/12/4999	1

<CONTINUE ...>

Ersatzteilliste

Maschine 010576027 LBCF ELIN 16CF5H DV EUDORA WA855 A 230V 50HZ

<i>Ersatzt.</i>	<i>Pos.Expl.</i>	<i>Beschreib.</i>	<i>Laufzeit</i>		<i>Men</i>
510192400	CFB058	FLACHKABEL FUER ANSCHLUSS KARTE TASTENKREIS-ELEKTR. MODUL	01/01/1900	17/11/2004	1
510227700	CFB058	FLACHKABEL FUER ANSCHLUSS KARTE TASTENKREIS-ELEKTR. MODUL	17/11/2004	31/12/4999	1
354033100	CFB061	GEHAEUSE TASTENHALTERUNG	01/01/1900	31/12/4999	1
332069000	CFB062	STIRNBRETT-TASTEN MIT DICHTUNG	01/01/1900	31/12/4999	1
352013300	CFB084	SCHUTZVORR. DISPLAY LCD	01/01/1900	31/12/4999	1
432026000	CFB086	SCHRAUBEN Z. KAMMER DRUCKKNOPFSCHEIBE	01/01/1900	31/12/4999	4
354033200	CFB087	TASTENHALTERUNG ON-OFF	01/01/1900	31/12/4999	1
326160800	CFB095	POTENTIOMETER TIMER KNOFF	01/01/1900	31/12/4999	1
444005700	CFB210	FEDER FUER THERMOSTATKNOFF	01/01/1900	31/12/4999	1
432010000	CFB290	SCHRAUBE Z.BEFESTIGUNG D.BLENDE	29/03/2005	12/04/2006	4
432028100	CFB290	SCHRAUBE Z.BEFESTIGUNG D.BLENDE	12/04/2006	31/12/4999	4
432004600	CFB290	SCHRAUBE Z.BEFESTIGUNG D.BLENDE	01/01/1900	29/03/2005	4
816055502	CFB350	DRUCKKNOPFSCHEIBE	01/01/1900	31/12/4999	1
348004900	CFC010	WASCHMITTEL-BEHALTER	01/01/1900	31/12/4999	1
330109600	CFC020	WASCHMITTEL-DECKEL-BEHALTER	01/01/1900	31/12/4999	1
398248500	CFC030	WASCHMITTELBEHAELTER	01/01/1900	31/12/4999	1
806316600	CFC040	HANDGRIFF FUER WASCHMIT.	01/01/1900	31/12/4999	1

<CONTINUE ...>

Ersatzteilliste

Maschine 010576027 LBCF ELIN 16CF5H DV EUDORA WA855 A 230V 50HZ

<i>Ersatzt.</i>	<i>Pos.Expl.</i>	<i>Beschreib.</i>	<i>Laufzeit</i>		<i>Men</i>
398233100	CFC042	SCHOTT FUER WASCHMITTELBEHAELTER	01/01/1900	31/12/4999	1
398233800	CFC050	GITTER EINSPUELKAMMER WEICHSPUELER	01/01/1900	31/12/4999	1
402039800	CFC060	MUFFE WASCHMITTEL EINSPUELUNG	01/01/1900	31/12/4999	1
414002500	CFC070	ZUFUHRUNGSSCHLAUCH	01/01/1900	31/12/4999	2
440000200	CFC130	SCHELLE F.VERSORGUNGSSCHLAUCH	01/01/1900	31/12/4999	4
440000600	CFC140	MUFFENSCHELLE F. WASCHMITEINSPUELUNG	01/01/1900	31/12/4999	1
432031200	CFC150	SCHRAUBE FUER WASCHMITTELBEHALTER	01/01/1900	31/12/4999	4
322103100	CFC310	DECKEL FUER HANDGRIFF	01/01/1900	31/12/4999	1
444022700	CFC330	RUECKZUGFEDER F.DECKEL D.GRIFFES	01/01/1900	31/12/4999	1
534009600	CFD010	ELEKTROVENTIL	01/01/1900	31/12/4999	1
352011500	CFD013	FIXIERGEHAEUSE DRUCKWAECHTER	01/01/1900	31/12/4999	1
432008500	CFD014	FESTSTELLSCHRAUBE GEHAEUSE DRUCKWAECHTER	01/01/1900	22/07/2002	2
432009400	CFD014	FESTSTELLSCHRAUBE GEHAEUSE DRUCKWAECHTER	22/07/2002	31/12/4999	2
520009700	CFD020	DRUCKWACHTER	01/01/1900	31/12/4999	1
408003100	CFD040	SCHLAUCHZULAUF	01/01/1900	31/12/4999	1
402009100	CFD050	DICHTUNG FUER ZULAUFSCHLAUCH	01/01/1900	31/12/4999	1
508023300	CFD100	NETZANSCHLUSSKABEL	01/01/1900	31/12/4999	1

<CONTINUE ...>

Ersatzteilliste

Maschine 010576027 LBCF ELIN 16CF5H DV EUDORA WA855 A 230V 50HZ

<i>Ersatzt.</i>	<i>Pos.Expl.</i>	<i>Beschreib.</i>	<i>Laufzeit</i>		<i>Men</i>
432028100	CFD110	ERDUNGSSCHRAUBE	29/03/2006	31/12/4999	2
432032200	CFD110	ERDUNGSSCHRAUBE	01/01/1900	29/03/2006	2
560084200	CFD250	VERKABELUNG	01/01/1900	31/12/4999	1
402003900	CFD280	FILTERDICHTUNG F.ZULAUFSCHLAUCH	01/01/1900	25/02/2007	1
398233400	CFE001	SCHUTZSCHEIBE SICHTFENSTER	01/01/1900	31/12/4999	1
432012600	CFE002	SCHRAUBE ZUR FIXIERUNG TUERVERRIEGELUNG AN MOEB01/01/1900	01/01/1900	31/12/4999	2
444023400	CFE010	RING MIT SCHRAUBE FUER BALGENDICHTUNG	01/01/1900	31/12/4999	1
404002500	CFE020	FENSTERMANSCHETTE	01/01/1900	31/12/4999	1
441006300	CFE030	SPANNRING FUER FENSTERMANSCHETTE	01/01/1900	31/12/4999	1
493065100	CFE040	SICHTFENSTERGLAS	01/01/1900	31/12/4999	1
338004302	CFE050	SICHTFENSTER RAHMEN	01/01/1900	31/12/4999	1
530001500	CFE060	TUERSCHALTER	01/01/1900	31/12/4999	1
324004003	CFE080	SICHTFENSTERGRIFF	01/01/1900	31/12/4999	1
719007803	CFE090	SET-SICHTFENSTERGRIFF	01/01/1900	31/12/4999	1
432003400	CFE100	SCHRAUBE F.SICHTFENSTERGLAS	01/01/1900	31/12/4999	6
266010200	CFE110	HALTER FUER SICHTFENSTERGLAS	01/01/1900	31/12/4999	6
432009300	CFE120	SCHRAUBE FUER SCHARNIER D.SICHTFENSTERS	01/01/1900	31/12/4999	3

<CONTINUE ...>

Ersatzteilliste

Maschine 010576027 LBCF ELIN 16CF5H DV EUDORA WA855 A 230V 50HZ

<i>Ersatz.</i>	<i>Pos.Expl.</i>	<i>Beschreib.</i>	<i>Laufzeit</i>		<i>Men</i>
432032200	CFE150	SCHRAUBE F.RUCKZUGFEDER D.KLINKE	01/01/1900	31/12/4999	2
444016100	CFE160	RUCKZUGFEDER F.KLINKE	01/01/1900	31/12/4999	1
443013500	CFE200	STIFT FUER TUERVERSCHLUSSHAKEN	01/01/1900	31/12/4999	1
398245800	CFE210	TURVERSCHLUSSHAKEN	01/01/1900	31/12/4999	1
398233600	CFE220	EINSATZSTUECK FUR TURVERSCHLUSSHAKEN	01/01/1900	31/12/4999	1
444017900	CFE230	FEDER	01/01/1900	31/12/4999	1
344002300	CFE250	UNTERRAHMEN F.SICHTFENSTER	01/01/1900	31/12/4999	1
518008100	CFF010	ELEKTROPUMPE	01/01/1900	31/12/4999	1
402049500	CFF070	KURVE F.ABLAUFBUCHSE	01/01/1900	31/12/4999	1
414004400	CFF090	SCHLAUCHABLAUF	01/01/1900	31/12/4999	1
440000400	CFF100	SHELLE FUR FILTERANSCHLUSS D.PUMPE	01/01/1900	31/12/4999	1
440001700	CFF100	SHELLE FUR FILTERANSCHLUSS D.PUMPE	01/01/1900	31/12/4999	1
440005300	CFF110	SHELLE FUR ABLAUFBUCHSENKURVE	01/01/1900	31/12/4999	1
432007000	CFF130	SCHRAUBE FUER ELEKTROPUMPE	01/01/1900	31/12/4999	2
398019400	CFF140	SCHLAUCHKLEMME F.SCHLAUFE D.ABLAUFSCHLAUCHES	01/01/1900	31/12/4999	1
440005400	CFF150	SHELLE F.ABFLUSSSCHLAUCH	01/01/1900	31/12/4999	1
414003500	CFF190	DRUCKWACHERROHRE	01/01/1900	31/12/4999	1

<CONTINUE ...>

Ersatzteilliste

Maschine 010576027 LBCF ELIN 16CF5H DV EUDORA WA855 A 230V 50HZ

<i>Ersatz.</i>	<i>Pos.Expl.</i>	<i>Beschreib.</i>	<i>Laufzeit</i>		<i>Men</i>
440000100	CFF200	DRUCKWACHERSCHLAUCHSCHELLE MUFFENSEITE	01/01/1900	31/12/4999	1
526021600	CFG005	THERMOWIDERSTAND	01/01/1900	31/12/4999	1
258002100	CFG010	QUERSTANGE FUER FEDER	01/01/1900	31/12/4999	1
490012400	CFG020	GEGENGEWICHT OBEN	01/01/1900	31/12/4999	1
430031100	CFG029	FESTSTELLSCHRAUBE RIEMENSCHLEIBE ROHRLEITUNG	01/01/1900	31/12/4999	1
398101400	CFG039	MITNEHMER TROMMEL HERAUSNEHMBAR	01/01/1900	31/12/4999	4
720573800	CFG077	SCHRAUBE FUER GEGENGEWICHT 9,5X50	01/01/1900	31/12/4999	3
398284100	CFG078	HALTEBOLZEN STOSSDAEMPFER	01/01/1900	31/12/4999	2
490012500	CFG080	GEGENGEWICHT UNTEN	01/01/1900	31/12/4999	1
512020900	CFG130	MOTOR	01/01/1900	31/12/4999	1
524025200	CFG140	WIDERSTAND	01/01/1900	31/12/4999	1
268117700	CFG160	RIEMENSCHLEIBE ANTRIEB	01/01/1900	31/12/4999	1
416003200	CFG170	TREIBRIEMEN	01/01/1900	31/12/4999	1
444024400	CFG200	AUFHAENGEFEDER BOTTICH	01/01/1900	31/12/4999	2
432035300	CFG380	SCHRAUBE FUER MOTOR	01/01/1900	31/12/4999	2
499003600	CFG430	FEDERRING	01/01/1900	31/12/4999	2
432028100	CFG440	F.FEDERQUERSTUECK	01/01/1900	31/12/4999	4

Ersatzteilliste

Maschine 010576027 LBCF ELIN 16CF5H DV EUDORA WA855 A 230V 50HZ

<i>Ersatz.</i>	<i>Pos.Expl.</i>	<i>Beschreib.</i>	<i>Laufzeit</i>		<i>Men</i>
720573900	CFG450	SCHRAUBE FUER GEGENGEWICHT UNTEN	01/01/1900	31/12/4999	3
526001300	CFG560	THERMOSTAT FIX	01/01/1900	31/12/4999	1
402008800	CFG570	DICHTUNG FUER THERMOSTAT	01/01/1900	31/12/4999	1
499026300	CFG690	SCHWINGUNGSDAEPFER	01/01/1900	31/12/4999	2
434004200	CFG710	BEFESTIGUNGSMUTTER SCHWINGUNGSDAEMPFER	01/01/1900	31/12/4999	2
432036100	CFZ010	SCHRAUBE F.VERPACKUNG	12/02/2007	31/12/4999	4
432035600	CFZ010	SCHRAUBE F.VERPACKUNG	01/01/1900	12/02/2007	8
441017600	CFZ019	BUCHSE FUER DISTANZSTUECK VERPACKUNG	01/01/1900	31/12/4999	4
436006400	CFZ020	U-SCHEIBE F.SCHRAUBE D.VERPACKUNG	01/01/1900	31/12/4999	4
350009900	CFZ023	VERSCHLUSS PLASTIKVERPACKUNG	01/01/1900	31/12/4999	4
461306958	CFZ025	HANDBUCH TECHNISCHE DATEN	01/01/1900	31/12/4999	1
470037700	CFZ040	DISTANZSTUCK AUS KUNSTSTOFF F.VERPACKUNG	01/01/1900	31/12/4999	4
470055900	CFZ280	UNTERE VERPACKUNGS-UMHUELLUNG	01/01/1900	31/12/4999	1
470038400	CFZ290	OBERE VERPACKUNGS-UMHUELLUNG	01/01/1900	21/06/2007	1
470056800	CFZ290	OBERE VERPACKUNGS-UMHUELLUNG	21/06/2007	31/12/4999	1
476009000	CFZ300	VORDERES WINKELPROFIL RECHTS-LINKS	01/01/1900	31/12/4999	2
476017100	CFZ310	HINTERES WINKELPROFIL RECHTS-LINKS	01/01/1900	31/12/4999	2

Ersatzteilliste

Maschine 010576027 LBCF ELIN 16CF5H DV EUDORA WA855 A 230V 50HZ

<i>Ersatzt.</i>	<i>Pos.Expl.</i>	<i>Beschreib.</i>	<i>Laufzeit</i>		<i>Men</i>
461306951	CFZ330	GEBRAUCHSANWEISUNG	01/01/1900	31/12/4999	1
466000016	LVD008	DOKUMENT TECHNISCHE INFORMATION MAGNETISCHE ENTKALKER	01/01/1900	31/12/4999	1
466000065	LVD044	ELEKTRONISCHES WARTUNGSHANDBUCH	01/01/1900	31/12/4999	1
460613826	LVZ000	ELEKTRISCHER SCHALTPLAN	01/01/1900	31/12/4999	1