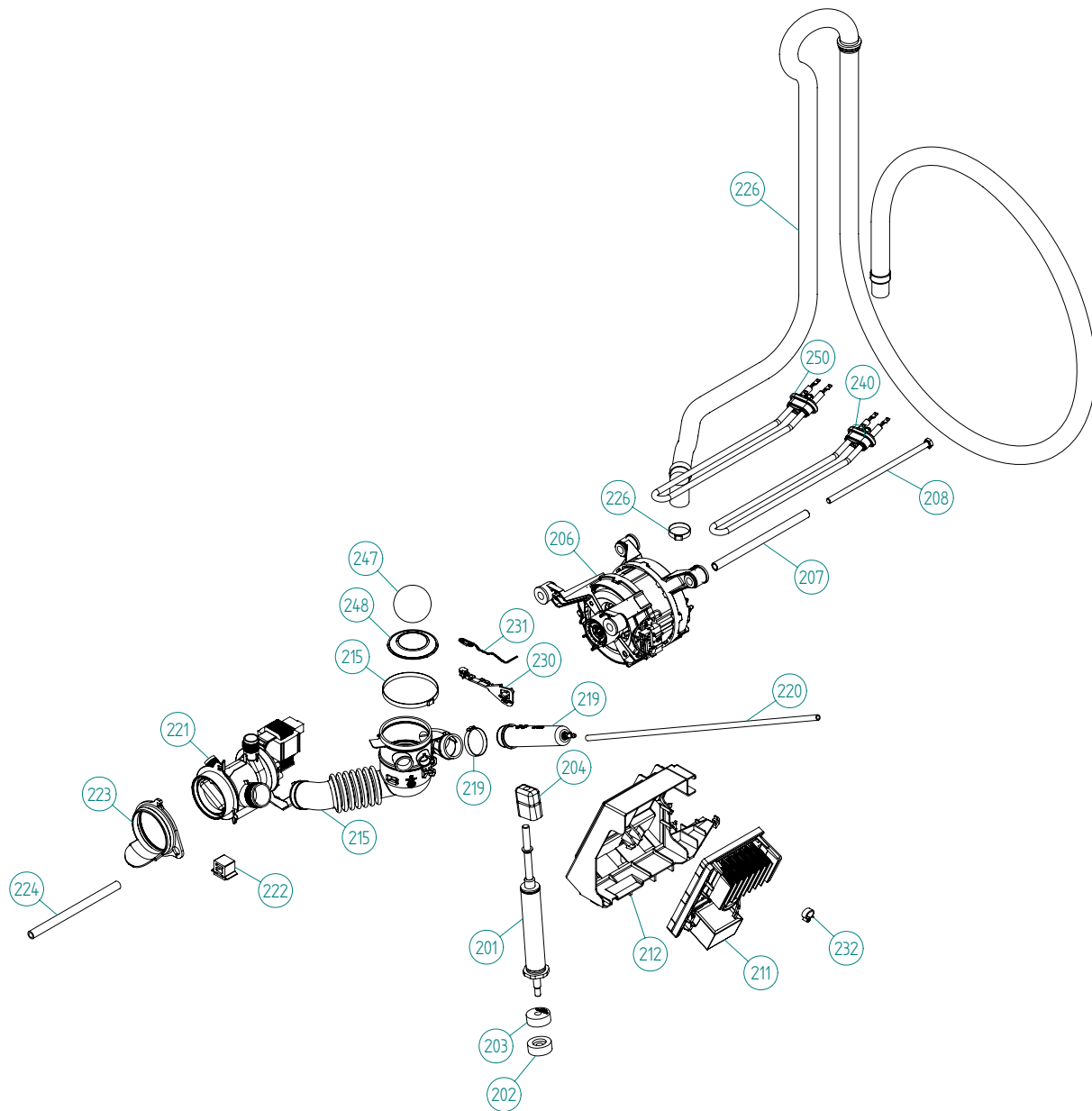


Outer casing

Eudora, WMC75 AT - Grey (WMC55)

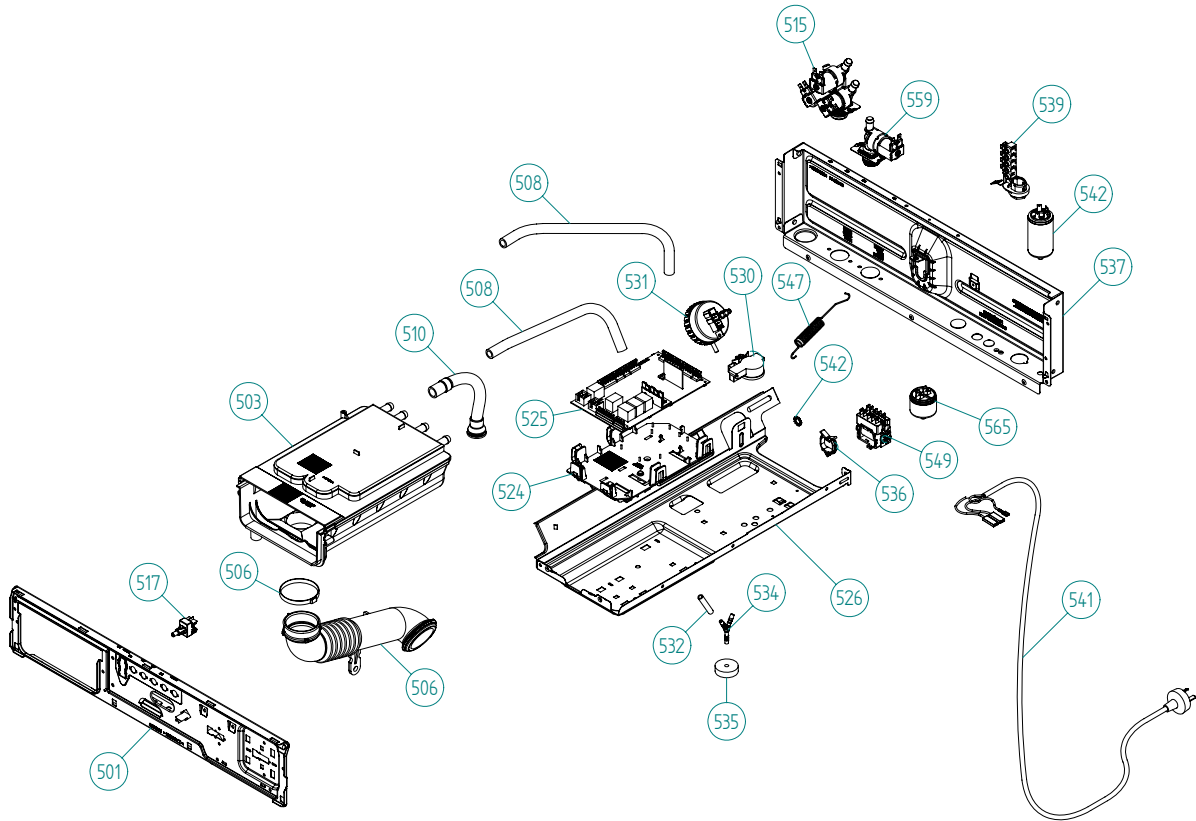
Pos	Spare part No.	Description	Qty	Comment
101	8061817-49	TOP COVER GREY	1 Pc's	
101-a	8900338	SCREW RTK ST 4,2X9,5 FZB WAX.	3 Pc's	
101-b	8901413	LOCK WASHER AZ 4,3 GALV	2 Pc's	
103	8064062	STRIP TOP COVER WMD20 UL4	1 Pc's	
105	8064198	SUPPORT BEAM, TOP COVER	1 Pc's	
105-a	8064255	SPONGE RUBBER STRIP 2X8 L=272	1 Pc's	
106	8801174-49	SIDE PLATE COMPL. WM20	2 Pc's	
107	8061763	GUIDE FRONT PLATE/TOP COVER	2 Pc's	
108	8061916	CABLE HOLDER WMD20 UL4	1 Pc's	
109	8061713	HOLDER HOSE, SIDE PLATE UL4	2 Pc's	
112	8063925-49	FRONT PLATE COMPL. GREY WM20	1 Pc's	
112-a	8900327	SCREW RTS ST 4,2X13 FZB T20	4 Pc's	
112-b	8901413	LOCK WASHER AZ 4,3 GALV	2 Pc's	
113	8080197	PLASTIC BRACKET FRONT PLATE	2 Pc's	
114	8064222	PLASTIC GUIDE FRONT PLATE	2 Pc's	
114-a	8900327	SCREW RTS ST 4,2X13 FZB T20	2 Pc's	
122	8061785	PUMP GUARD WM20	1 Pc's	
123	8061657-49	DOOR OUTLET PUMP WM20 UL4	1 Pc's	
127	8801466	REAR PANEL COMPL. WM20/60/70	1 Pc's	
127-a	8061959	PLUG HUMIDITY SENSOR/REAR PAN.	1 Pc's	
127-b	8900338	SCREW RTK ST 4,2X9,5 FZB WAX.	11 Pc's	
131	8061693	TRANSPORT BEAM	1 Pc's	
131-a	8900338	SCREW RTK ST 4,2X9,5 FZB WAX.	4 Pc's	
131-b	8901413	LOCK WASHER AZ 4,3 GALV	1 Pc's	
133	8064206	TRANSPORT SLEEVE COMPL. BLACK	3 Pc's	
134	8901037	SCREW BUFO 8.8 8X70 GALV	3 Pc's	
135	8061767	LOCKINGWASHER CROSSBAR WM20	3 Pc's	
136	8065773	HOSE FRAME REAR COVER	2 Pc's	
137	8056647	CONNECTION PIPE 3/4"-3/4"	2 Pc's	
138	8050805	HALTERUNG, SCHLAUCH UL4	1 Pc's	
138-a	8002263	KABELSTREIFEN 200 MM	1 Pc's	
139	8061618	BOTTOM WMD20	1 Pc's	
140	8059334	RUBBER FOOT D35xM10 INC. NUT	4 Pc's	



Lower session

Eudora, WMC75 AT - Grey (WMC55)

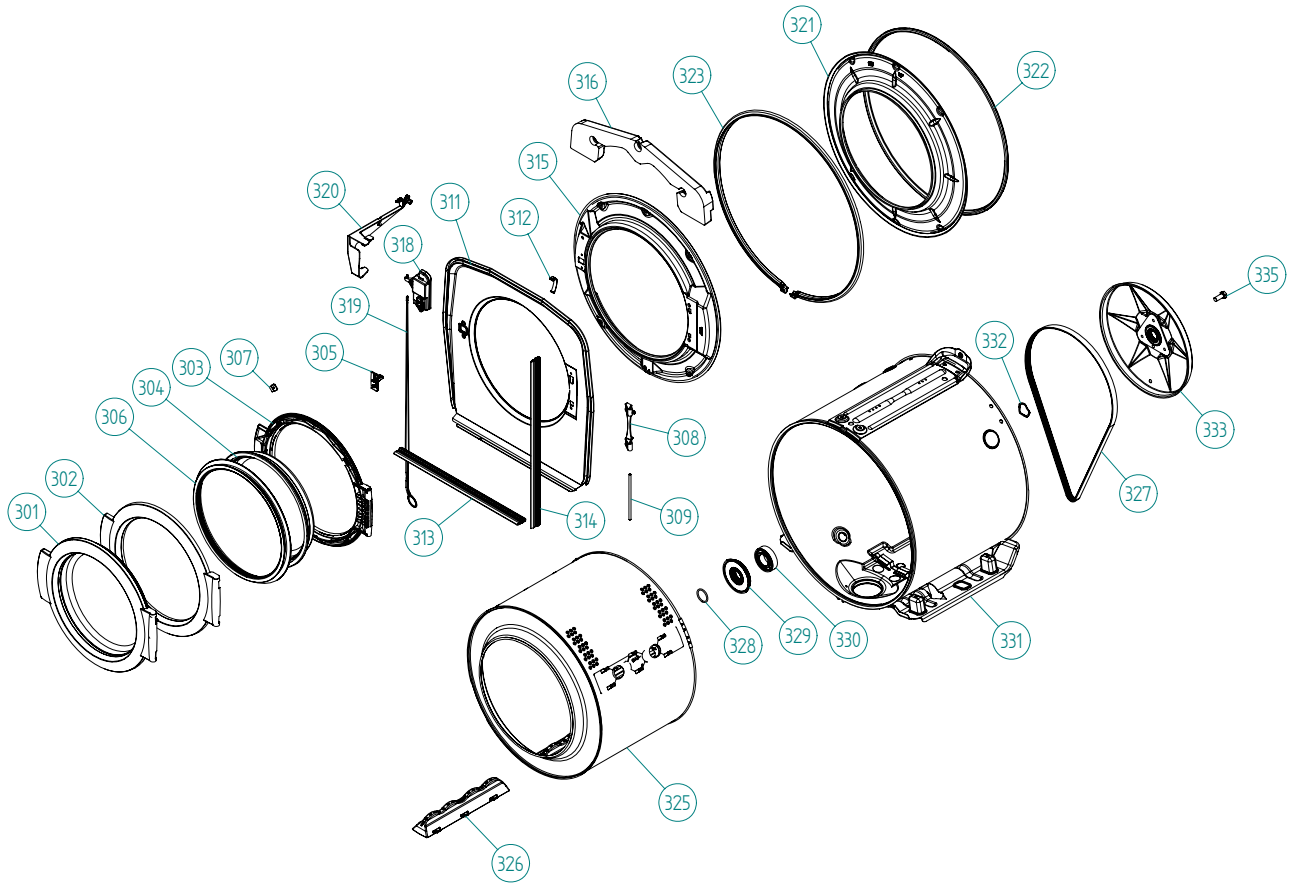
Pos	Spare part No.	Description	Qty	Comment
201	8801171	SPRING LEG KIT WM20	1 Pc's	
202	8055796	RUBBER BUFFER SPRING LEG.	4 Pc's	
203	8055797	RUBBER BUFFER SPRING LEG.	4 Pc's	
204	8061668	RUBBER DAMPER SPRINGLEG	4 Pc's	
206	8065833	3-PHASE INDUCTION MOTOR UL4	1 Pc's	
207	8058261	SPAC.TUBE MOTOR SUSP. 12X191	2 Pc's	
208	8063591	SCREW 8.8 M8x205 FZB	2 Pc's	
211	8065834	FREQUENCY CONVERTER UL4	1 Pc's	
211-a	8901097	SCREW MRT-TT 4X10 FZB T20	1 Pc's	
212	8065841	HOLDER CONTROL UNIT(MOTOR) UL4	1 Pc's	
215	8801516	KIT BELLOW HOSE OUTLET PUMP	1 Pc's	
215-a	8063262	HOSE CLIP 80.0-708	1 Pc's	
215-b	8056471	HOSE CLIP 42,5	1 Pc's	
215-c	8052083	HOSE CLIP Repl.by 8084609	1 Pc's	
215-c	8084609	HOSE CLIP 38,1	1 Pc's	
219	8061924	PRESSURE CHAMBER WM20 UL4	1 Pc's	
219-c	8052083	HOSE CLIP Repl.by 8084609	1 Pc's	
220	8080831	RUBBER HOSE 4,3X7,3X527	1 Pc's	
221	8801263	DRAIN PUMP COMPL. SYNCR. 50HZ	1 Pc's	
221-a	8801186	SEAL PUMP INSERT HANNING SYNC.	1 Pc's	
221-b	8801185	PUMP INSERT HANNING SYNC. WM20	1 Pc's	
222	8061649	RUBBER BUFFER,DRAIN PUMP WM20	2 Pc's	
223	8061796	RUBBER RING DRAINPUMP WM20	1 Pc's	
224	8061725	DRAIN HOSE 190mm WM20	1 Pc's	
224-a	8052731	HOSE CLIP 14,8	1 Pc's	
226	8061998	OUTLET HOSE WM20 UL4	1 Pc's	
226-a	8056491	HOSE CLIP 30,1	1 Pc's	
230	8061738	HOLDER THERMISTOR WM20	1 Pc's	
231	8061663	THERMISTOR (E30) UL4	1 Pc's	
232	8061976	CABLE HOLDER SMALL	2 Pc's	
240	8061703	HEATINGEL. 2000W 230V FUSE UL4	1 Pc's	
247	8076755	VALVE BALL BELLOW HOSE	1 Pc's	
248	8076968	SUPPORT WASHER BELLOW HOSE	1 Pc's	
250	8061704	HEATINGEL. 1000W 230V FUSE UL4	1 Pc's	



Upper session

Eudora, WMC75 AT - Grey (WMC55)

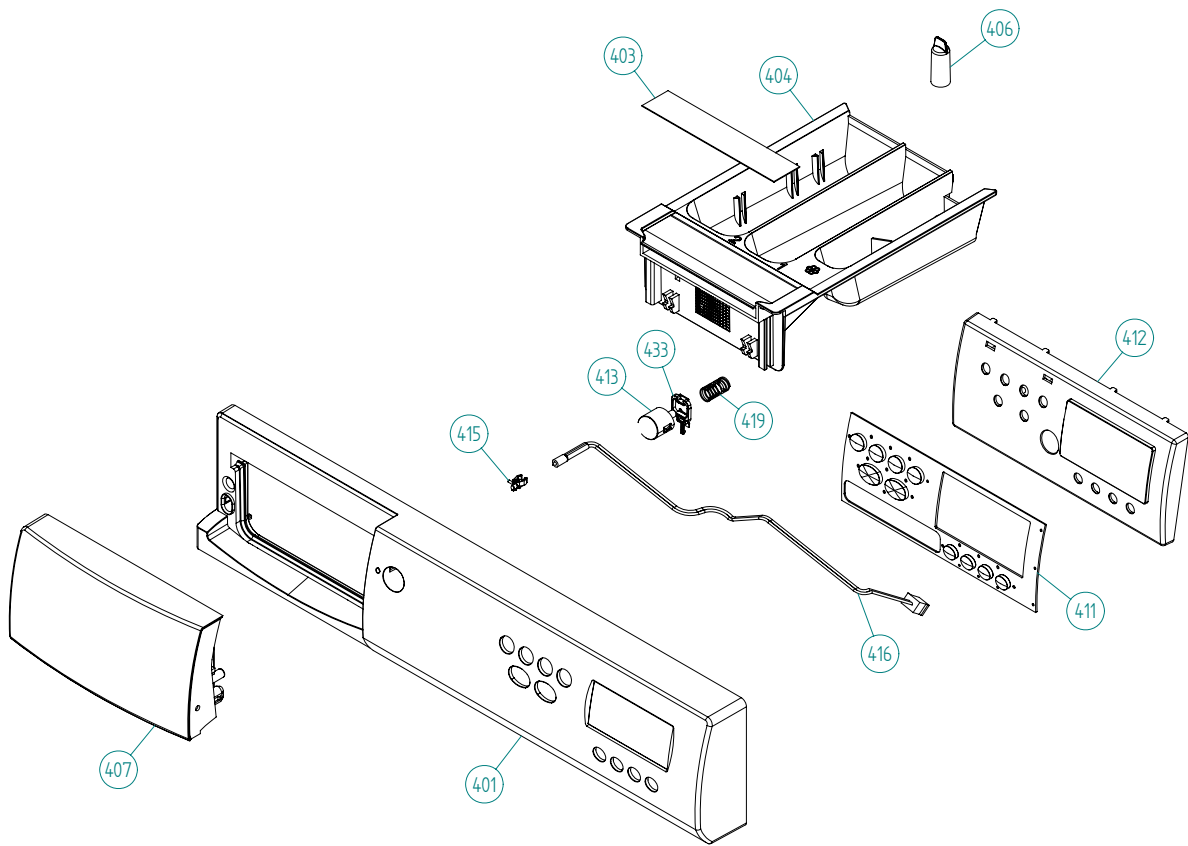
Pos	Spare part No.	Description	Qty	Comment
501	8076210	BEAM FRONT WMD25	1 Pc's	
501-a	8900338	SCREW RTK ST 4,2X9,5 FZB WAX.	2 Pc's	
501-b	8901413	LOCK WASHER AZ 4,3 GALV	2 Pc's	
501-c	8902087	SCREW PTK 40X14 WN1452 FZB T20	2 Pc's	
503	8061661	CONTAINER DETERGENT COMP	1 Pc's	
503-a	8901970	SCREW PTK 40X12 A2 WN1452 T20	2 Pc's	
503-b	8902072	SCREW PT KB40X10 WN1442 GALV	1 Pc's	
503-c	8056656	CABLE STRIP	3 Pc's	
506	8064692	BELLOW HOSE INLET UL4	1 Pc's	
506-a	8063607	HOSE CLIP 57,5	1 Pc's	
508	8061702	RUBBER HOSE 10x15x300	3 Pc's	
508	8058502	RUBBER HOSE 10X15X360 UL1	1 Pc's	
510	8061736	VENTILATION HOSE WM20 UL4	1 Pc's	
510-a	8052730	HOSE CLIP 21,0	1 Pc's	
515	8061757	INLET VALVE 3-WAY WM20	1 Pc's	
515-a	8901097	SCREW MRT-TT 4X10 FZB T20	2 Pc's	
517	8061875	PUSHBUTTONSW. 2-POLE CLOS.	1 Pc's	
524	8061921	HOLDER PROG.CONTROLLER WMD20	1 Pc's	
525	8077352	CONTROL UNIT WMC55 6KG UL4	1 Pc's	
526	8061692	BRACKET FOR ELEC.COMP. WM20	1 Pc's	
526-a	8900338	SCREW RTK ST 4,2X9,5 FZB WAX.	2 Pc's	
526-b	8900327	SCREW RTS ST 4,2X13 FZB T20	1 Pc's	
529	8086452	CABLE SET E20 WMC55	1 Pc's	
529	8086454	CABLE SET E120 WMC55	1 Pc's	
530	8061664	PRESSURE SENSOR TYPE 1166 UL4	1 Pc's	
531	8078221	LEVEL SWITCH WM05	1 Pc's	
532	8080832	RUBBER HOSE 4,3X7,3X72	1 Pc's	
532	8081203	RUBBER HOSE 5X8X112	1 Pc's	
534	8051843	Y-PIPE 05	1 Pc's	
535	8061997	GUARD, LEVELSWITCH HOSE WM20	2 Pc's	
536	8061975	CABLE HOLDER BIG	1 Pc's	
537	8061694	CROSS BEAM Repl.by 8801477	1 Pc's	
537-a	8900327	SCREW RTS ST 4,2X13 FZB T20	5 Pc's	
539	8061660	TERMINAL BLOCK 5-POLE	1 Pc's	
539-a	8901097	SCREW MRT-TT 4X10 FZB T20	1 Pc's	
541	8078983	MAINS CABLE 5X1.5X2000 90C	1 Pc's	
542	8058558	RADIOINTERF.SUPP. FILTER	1 Pc's	
542-a	8901155	NUT M6M8 BH8 GALV	1 Pc's	
542-b	8901419	LOCK WASHER AZ 8,4 GALV	1 Pc's	
547	8061923	BALANCING SPRING WM20	2 Pc's	
549	7382948	CONTACTOR Repl.by 8064179	1 Pc's	
549-a	8901097	SCREW MRT-TT 4X10 FZB T20	2 Pc's	
559	8061729	INLET VALVE 1-WAY WM20	1 Pc's	
565	8058559	RADIOINTERF.SUPP. FILTER F19	2 Pc's	
565-a	8901155	NUT M6M8 BH8 GALV	1 Pc's	
565-b	8901419	LOCK WASHER AZ 8,4 GALV	1 Pc's	



Cylinder and related parts

Eudora, WMC75 AT - Grey (WMC55)

Pos	Spare part No.	Description	Qty	Comment
301	8064906-49	FRONT DOOR COMPL. GREY UL4	1 Pc's	
302	8061651-49	FRAME FRONT DOOR OUTER GREY	1 Pc's	
303	8061652-42	FRAME FRONT DOOR INNER WM20	1 Pc's	
304	8061685	FRONT GLASS D306x42mm WM20	1 Pc's	
305	8061798	LOCK HOOK WM20	1 Pc's	
306	8064025	SEALING FRONT DOOR	1 Pc's	
307	8801321	KIT SECURING PLATE FRONT GLASS	1 Pc's	
308	8061686-42	HINGE FRONT DOOR GREY WM20	1 Pc's	
308-a	8901969	SCREW MRT-TT 5x12 FZB T20	2 Pc's	
309	8061687	SHAFT FOR HINGE WM20	1 Pc's	
311	8061671-29	COVER PLATE OUTER BLACK	1 Pc's	
312	8061879	TENSIONSPRING COVERPLATE OUTER	4 Pc's	
313	8061980	GAPSEALING, LOWER WM20	1 Pc's	
314	8061616	GAPSEALING, SIDE WM20	2 Pc's	
315	8061670	COVER PLATE , INNER	1 Pc's	
316	8061678	DAMPER WEIGHT	2 Pc's	
316-a	8901135	SCREW M6SF-TT 8X25 FZB	4 Pc's	
318	8061679	DOOR LOCK WM20 UL4	1 Pc's	
318-a	8902087	SCREW PTK 40X14 WN1452 FZB T20	2 Pc's	
319	8801305	EMERGENCY OPENING COMPL.	1 Pc's	
320	8061680	CONTACT GUARD, DOOR LOCK	1 Pc's	
321	8065043	FRONT PANEL TUB/2 WM20	1 Pc's	
322	8061889	SEALING STRIP FRONT PANEL(TUB)	1 Pc's	
323	8061669	TENSION RING WM20	1 Pc's	
325	8801277	CYLINDER AND SEALING	1 Pc's	
326	8061604	DRUM PADDLE WM20	3 Pc's	
327	8061682	DRIVE BELT 5EPJ 1209	1 Pc's	
328	8058497	O-RING 26,2X3 NBR70	1 Pc's	
329	8801276	KIT SEALING CASSETTE	1 Pc's	
330	8056314	BALL BEARING 6206 2RS MTSRL	2 Pc's	
331	8801309	CONT.CPL. WM20 CAST IRON 2HEAT	1 Pc's	
332	8056810	SCALE WASHER 37x30,5x0,5	1 Pc's	
333	8056376	PULLEY COMPL. D292	1 Pc's	
335	8901052	SCREW BUFO 8,8 10X25 GALV	1 Pc's	



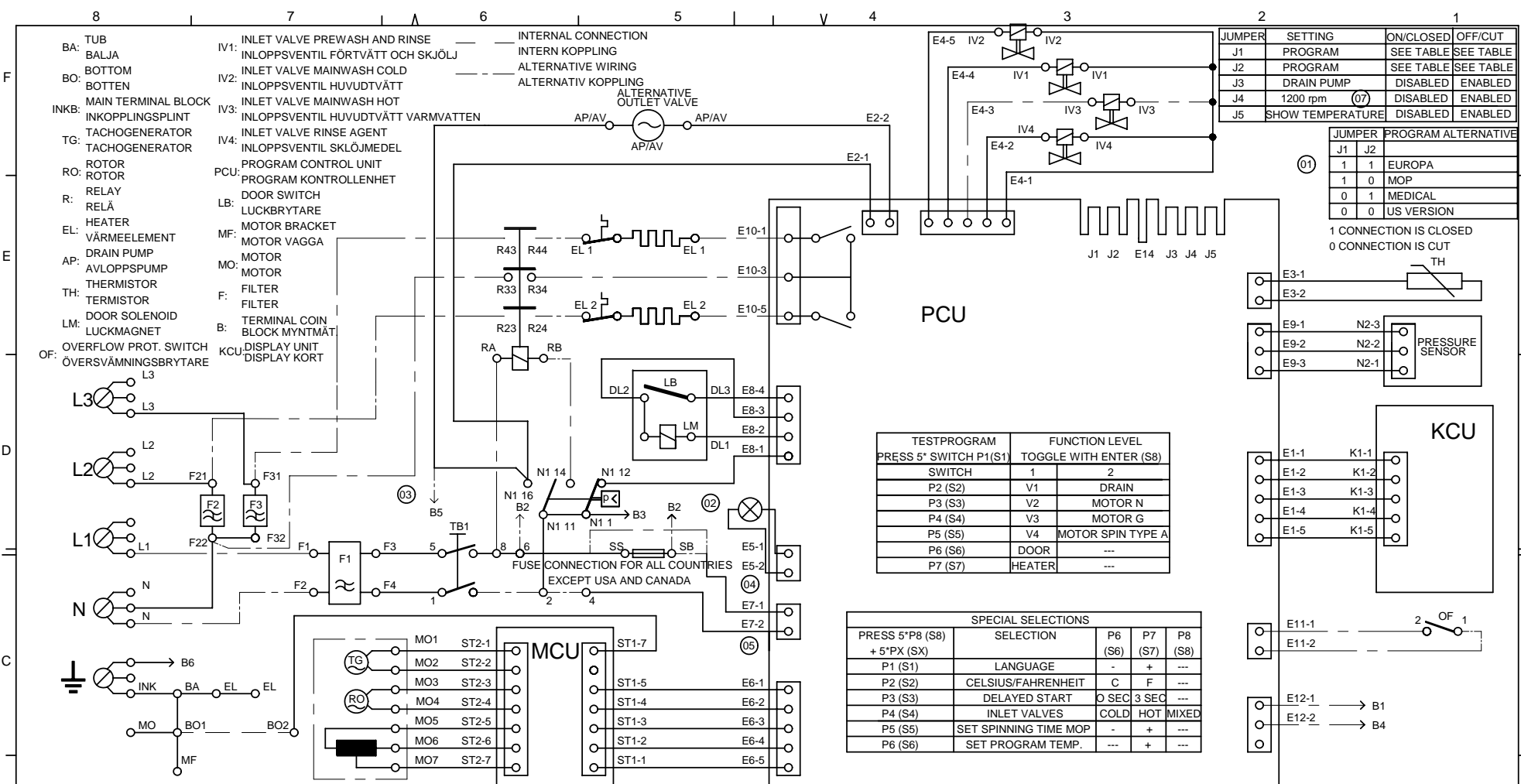
Control panel

Eudora, WMC75 AT - Grey (WMC55)

Pos	Spare part No.	Description	Qty	Comment
401	8082769-69	PANEL W.HANDLE EUDORA	1 Pc's	
403	8063376-49	PLATE PROG.INFO. WMC55	1 Pc's	
404	8061630	DETERGENT COMP. WM20	1 Pc's	
406	8061634	SIPHON WM20	1 Pc's	
407	8061846-69-UL	HANDLE PANEL MECH. WMD20	1 Pc's	
411	8063952-33	PUSHBUTTONS WMC55	1 Pc's	
412	8076271	DISPLAY UNIT WMD21 UL4 *ESD*	1 Pc's	
413	8061902-69	PUSHBUTTON MAINSWITCH WMD20	1 Pc's	
415	8061822	DECOR LENS	1 Pc's	
416	8064069	INDICATION LAMP WM55/66 UL4	1 Pc's	
419	8061857	SPRING MAIN SWITCH WMD20	1 Pc's	
433	8076643	ADAPTER MAIN SWITCH	1 Pc's	
468	8076209	GROUND CHAIN WM UL4	1 Pc's	
469	8086440	CABLE SET COIN BOX	1 Pc's	
490	8082776	INST./MAINTEN.MANUAL EUDORA DE	1 Pc's	
491	8082777	WASHGUIDE EUDORA WMC75 DE	1 Pc's	

KOMPLETTSCHEMA 80 640 04-02

SUNUMBD2011_Tryckunderlag/Kopplingschema WMC55/8064006 Kopplingschema WMC55/8064006.dft , pema , 2004-05-10 13:50:12

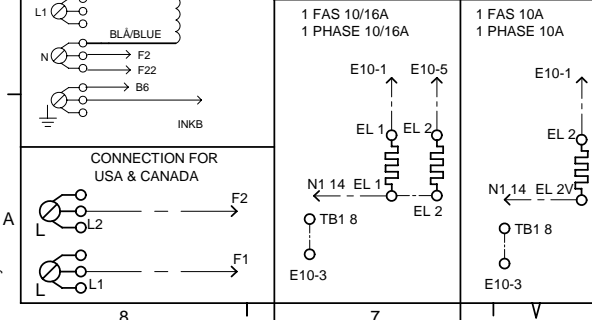


JUMPER	SETTING	ON/CLOSED	OFF/CUT
J1	PROGRAM	SEE TABLE	SEE TABLE
J2	PROGRAM	SEE TABLE	SEE TABLE
J3	DRAIN PUMP	DISABLED	ENABLED
J4	1200 rpm (07)	DISABLED	ENABLED
J5	SHOW TEMPERATURE	DISABLED	ENABLED

JUMPER	PROGRAM	ALTERNATIVE
J1	1	EUROPA
J2	0	MOP
J3	0	MEDICAL
J4	0	US VERSION

1 CONNECTION IS CLOSED
0 CONNECTION IS CUT

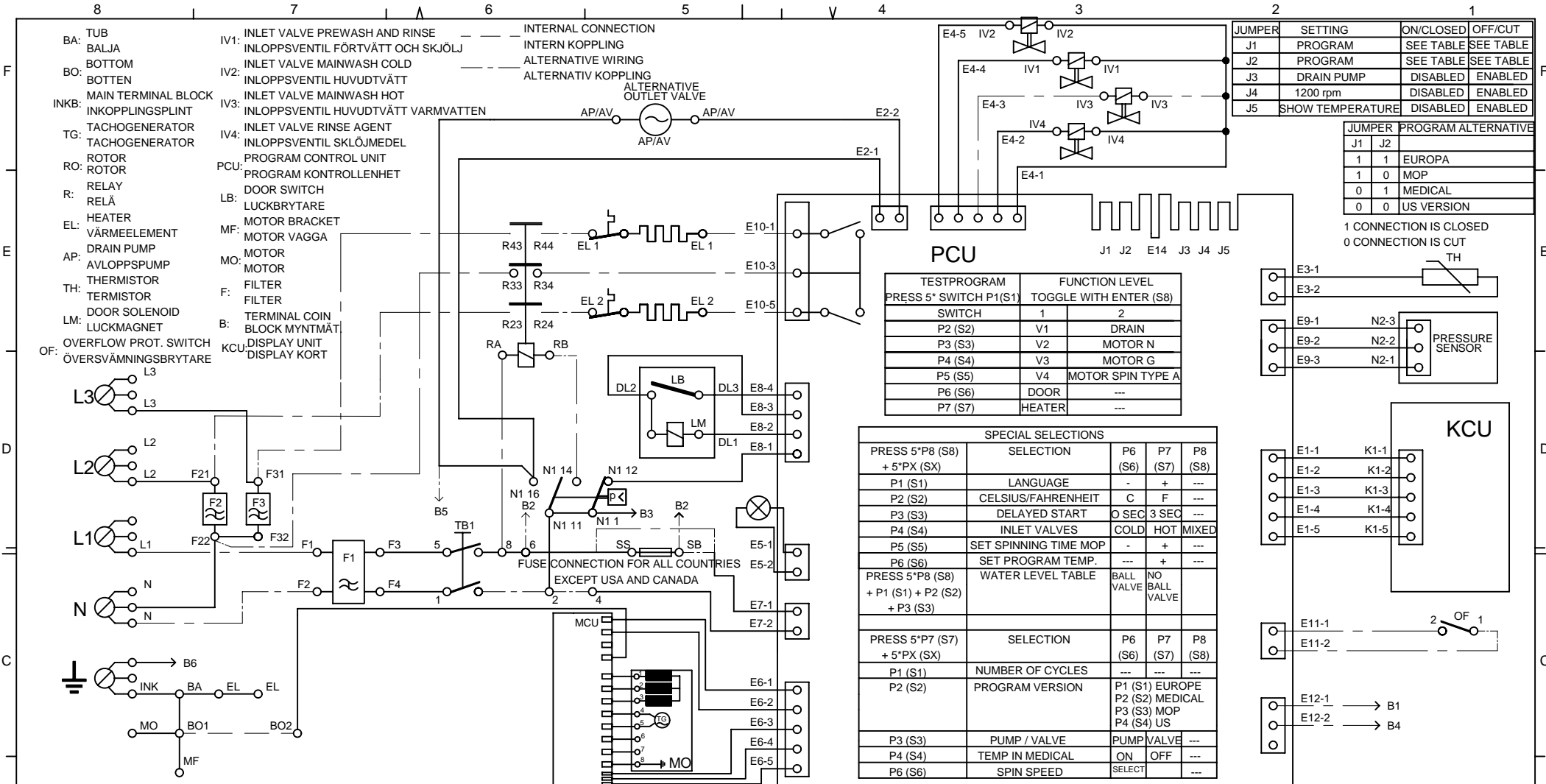
POWER ON DOOR CLOSED E2:1-E2:2 13 Vdc	E3:1-E3:2 5 Vdc (THERMISTOR DISCONNECTED)	E5:1-E5:2 230 Vac	E7:1-E7:2 230 Vac	E9:1-E9:2 0,5 Vdc AT ZERO WATER PRESSURE	THE ABOVE REQUIRE THE LEVEL SWITCH IN POS. N1 14
E1:1-E1:2 DATA IN	E4:1-E4:2 230 Vac	IV4 ON	E8:1-E8:4 0 V DOOR OPEN	E10:1-E10:3 230 Vac HEATER OFF	0 V HEATER ON
E1:3 CLOCK	E4:1-E4:3 230 Vac	IV3 ON	E8:1-E8:4 230 Vac DOOR CLOSED	E10:5-E10:3 230 Vac HEATER OFF	0 V HEATER ON
E1:4 DATA OUT	E4:1-E4:4 230 Vac	IV1 ON	E6:3-E6:5 5 Vdc	E2:8-E2:3 230 Vac DOOR SOLENOID ON 10 mS	E12:1-E12:2 15 Vdc
E1:5	E4:1-E4:4 230 Vac	IV1 ON	E6:4 DATA SERIELL	E9:1-E9:3 5 Vdc	



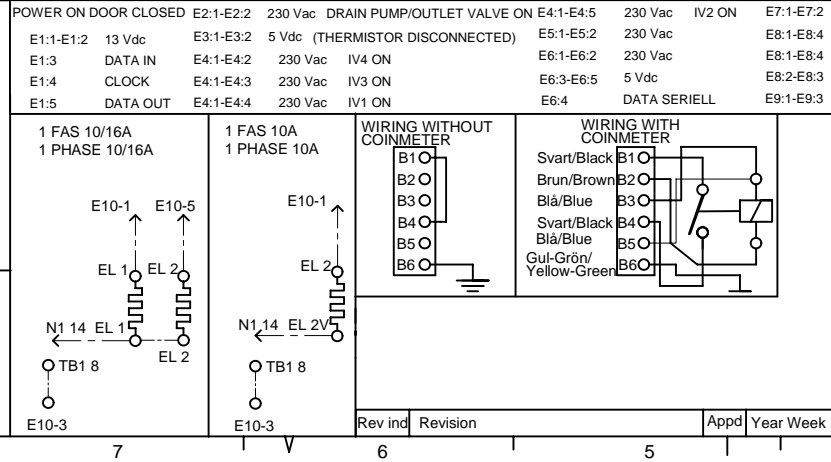
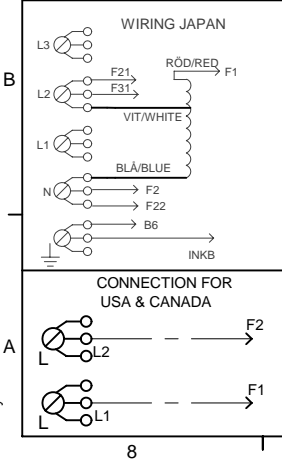
Rev ind	Revision	Appd	Year	Week
08	Drawing adjustments	PM	04	20
07	1200rpm was Foaming detection	MS	02	20
06	Added Japan wiring	PS	01	30
05	Changed E7:1 and E7:2	SS	01	44
04	Mod. L2, L3, E5 and E7	SS	00	38
03	B6 added	PS	00	26
02	Coin cables modified	PS	00	10
01	Jumpers changed	PS	99	30

Pos.	Qty	Part No.	Name of item	Material
Material				
Scale				
Gen.tolerance				
Gen.tol.Angle				
Iss by				
Dept				
Year				
Week				
80 640 06 08				
Rev Ind				
Replace				
Project				

This document must not be copied without our written permission, and the contents may not be used for any unauthorized purpose. Askö Cyllinda AB



This document must not be copied without our written permission, and the contents thereof must not be imparted to a third party without the express written authorization of Askjo Cylinda AB.



Pos.	Qty	Part No.	Name of item	Material
Material		Dens.Kg/dm3		Dimensions, Type, etc.
Scale		Gen.tolerance		Description(ENG)
Designed by		Gen.tol.Angle		Circuit diagram WMC55 (CIM)
Released by		Iss by Dept Year Week		Description(SE)
		UT 05 45		Kopplingschema WMC55 (CIM)
ASKO CYLINDA				Rev Ind Replace
80 794 97 00				Project

S:\UW\MB201_1_Tryckunderlag\Kopplingschema\8079498_Funktionsdiagram WMC55 (CIM)-01.dft, pema, 2005-12-29 13:08:48

PROGRAM	NAME	TEMP.	SPIN SPEED	PREWASH	MAINWASH	RINSE 1	SPIN B	RINSE 2	SPIN B	RINSE 3	SPIN A	SPIN B	Total time
EUROPE			rpm	Minutes	Minutes	Minutes	Minutes	Minutes	Minutes	Minutes	Minutes	Minutes	Minutes
P1	HEAVY	90°C	1200/1400	10	37	3	2,5	3	2,5	3	6		77
P2	NORMAL	60°C	1200/1400		T+45	3	2,5	3	2,5	3	6		~110
P3	LIGHT	60°C	1200/1400		23	3	2,5	3	2,5	3	6		51
P4	NORMAL	40°C	1200/1400		11	3	2,5	3	2,5	3	6		40
P5	SYNETIC	40°C	800		7	3		3		3		2,5	24
P6	SUPER QUICK	40°C	800		4	3				3		2,5	18
P7	WOOL	30°C	800		4	3		3		3		2,5	20
P8	SPIN		800									2,5	4
MEDICAL													
P1	HEAVY	90°C	1200/1400	10	Selected temp.	3	2,5	3	2,5	3	6		86
P2	HEAVY	80°C	1200/1400	10	Selected temp.	3	2,5	3	2,5	3	6		78
P3	NORMAL	60°C	1200/1400		23	3	2,5	3	2,5	3	6		51
P4	NORMAL	40°C	1200/1400		11	3	2,5	3	2,5	3	6		40
P5	SYNETIC	40°C	800		7	3		3		3		2,5	24
P6	SUPER QUICK	40°C	800		4	3				3		2,5	18
P7	WOOL	30°C	800		4	3		3		3		2,5	20
P8	RINSE		1200/1400							3	6		11
MOP													
P1	HEAVY	90°C	1200/1400	10	37	3	2,5	3	2,5	3	6		77
P2	HEAVY	60°C	1200/1400	10	23	3	2,5	3	2,5	3	6		61
P3	NORMAL	90°C	1200/1400		37	3	2,5	3	2,5	3	6		66
P4	NORMAL	60°C	1200/1400		23	3	2,5	3	2,5	3	6		51
P5	NORMAL	40°C	1200/1400		11	3	2,5	3	2,5	3	6		40
P6	SYNETIC	40°C	800		7	3		3		3		2,5	24
P7	WOOL	30°C	800		4	3		3		3		2,5	20
P8	RINSE		1200/1400							3	6		11
US													
P1	HEAVY	140°F	1200/1400	5	16	2,5	2,5	2,5	2,5	2,5	6		57
P2	NORMAL	140°F	1200/1400		16	2,5	2,5	2,5	2,5	2,5	6		51
P3	NORMAL	105°F	1200/1400		12	2,5	2,5	2,5	2,5	2,5	6		37
P4	LIGHT	105°F	800		11	2,5		2,5		2,5		2,5	26
P5	SUPER QUICK	0°F	800		7	2,5				2,5		2,5	22
P6	PERM-PRESS	105°F	800		7	2,5		2,5		2,5		2,5	22
P7	DELICATE	85°F	800		4	2,5		2,5		2,5		2,5	19
P8	RINSE		1200/1400							2,5	6		11

Sequence	Inlet valve	Motor action
Pre-wash	1	Normal
Main wash	2 alt. 3	Normal
Rinse 1	1	Normal
Rinse 2	1	Normal
Rinse 3	1+4	Normal

Mainwash:

Heating time are included in the time, except Europé P2

In woolprogram is it super gentle motor action

All mainwashes starts with 4 sec on inlet valve 1.

Normal motor action: Clockwise 12 seconds on 3 seconds off, counterclockwise 12 seconds on 3 seconds off, 49 rpm.

Super gentle motor action: Clockwise 3 seconds on 57 seconds off, counterclockwise 3 seconds on 57 seconds off, 49 rpm.

Spin A sequence: Normal motor action clockwise and counterclockwise followed by a clockwise peak to 400 rpm, normal motor action clockwise and counterclockwise followed by a clockwise spin for 210 seconds on 1200/1400 rpm.

Spin B sequence: Normal motor action clockwise and counterclockwise followed by a clockwise peak to 400 rpm, normal motor action clockwise and counterclockwise followed by a clockwise spin for 15 seconds on 800 rpm.

Pos.	Qty	Part No.	Name of item				Material
Material		PAPPER		Dens.Kg/dm3	Dimensions, Type, etc.		
Scale	1:1		Gen.tolerance	+IT14/2			
Description(ENG)		FUNCTION DIAGRAM WMC 55 (CIM)					
Designed by	pema		Gen.tol.Angle	FUNKTIONSDIAGRAM WMC 55 (CIM)			
Released by	Iss by Dept	Year	Week				
	UT	05	45				
Rev Ind			80 794 98		01		Replace
Project							rev 00
ASKO CYLINDA							

01	US P4 and P5 was 1200/1400, now 800	MR	09	12
Rev ind	Revision	Appd	Year	Week

This document must not be copied without our written permission, and the contents may not be used for any unauthorized purpose. Askö Cylinda AB