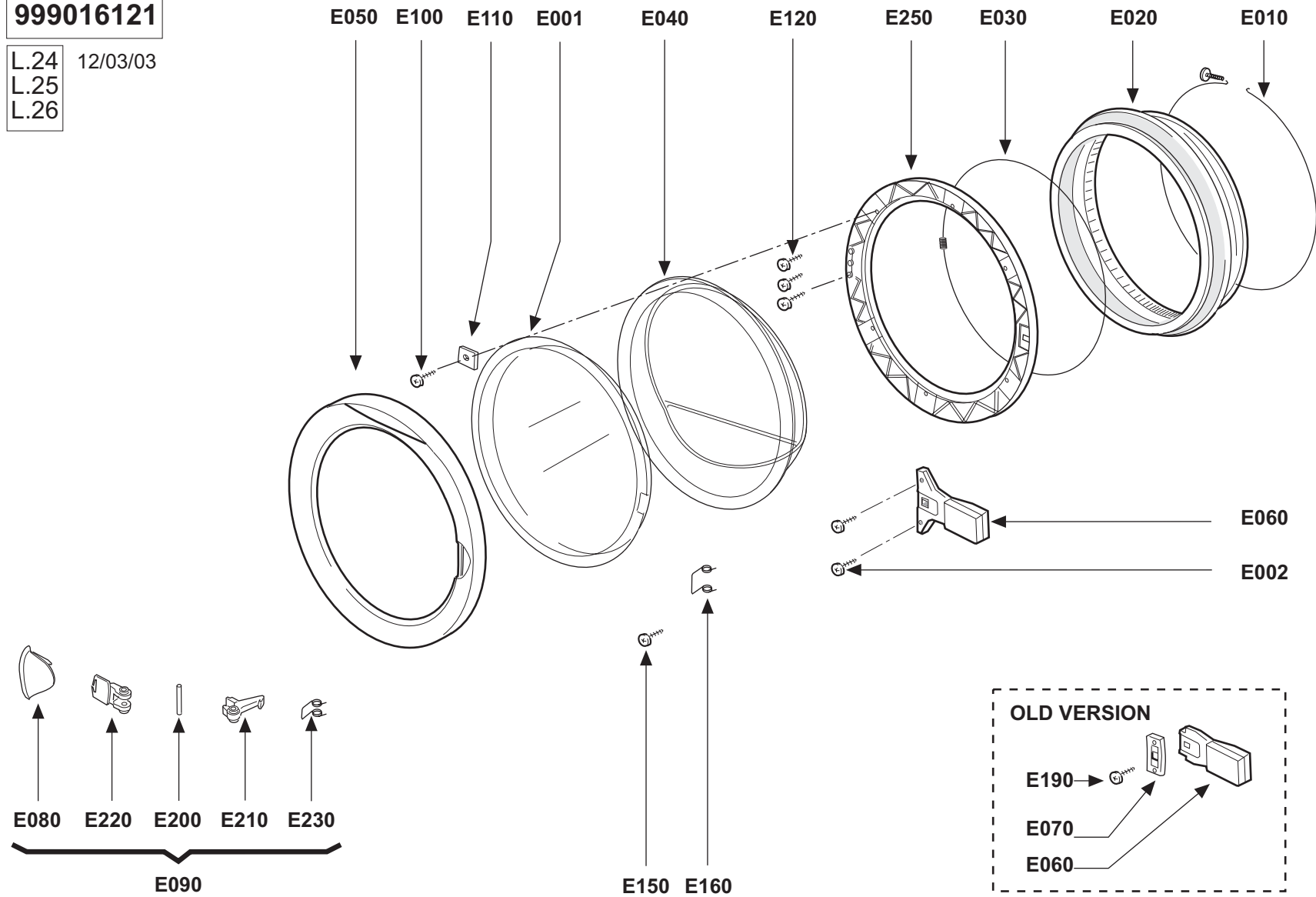


**999044215**

LBCF 39cm Cabinet  
 Poypoprylene tub  
 Pannel.V  
 09/05/07

**999016121**

L.24 12/03/03  
L.25  
L.26



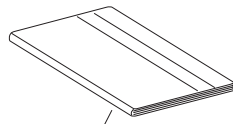
**999016228**

**SHRINK PACKING FREE-STANDING**

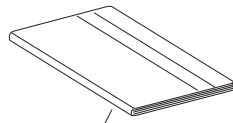
14/09/2006

Z290

Z310



**Z330**  
**INSTRUCTIONS**  
**FOR USE**

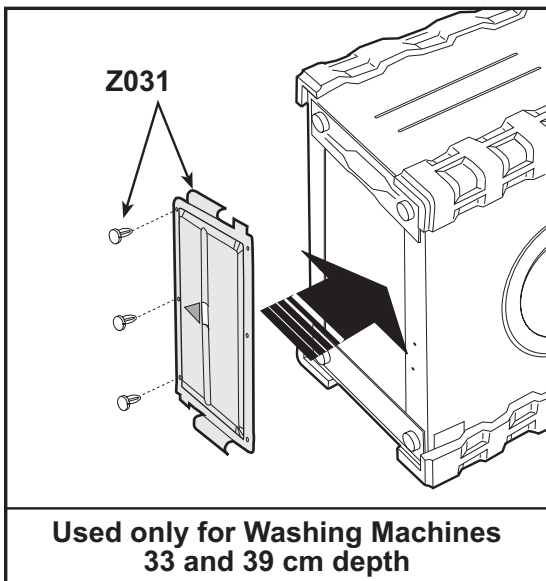


**Z025**  
**TECHNICAL DATAS**  
**BOOKLET**

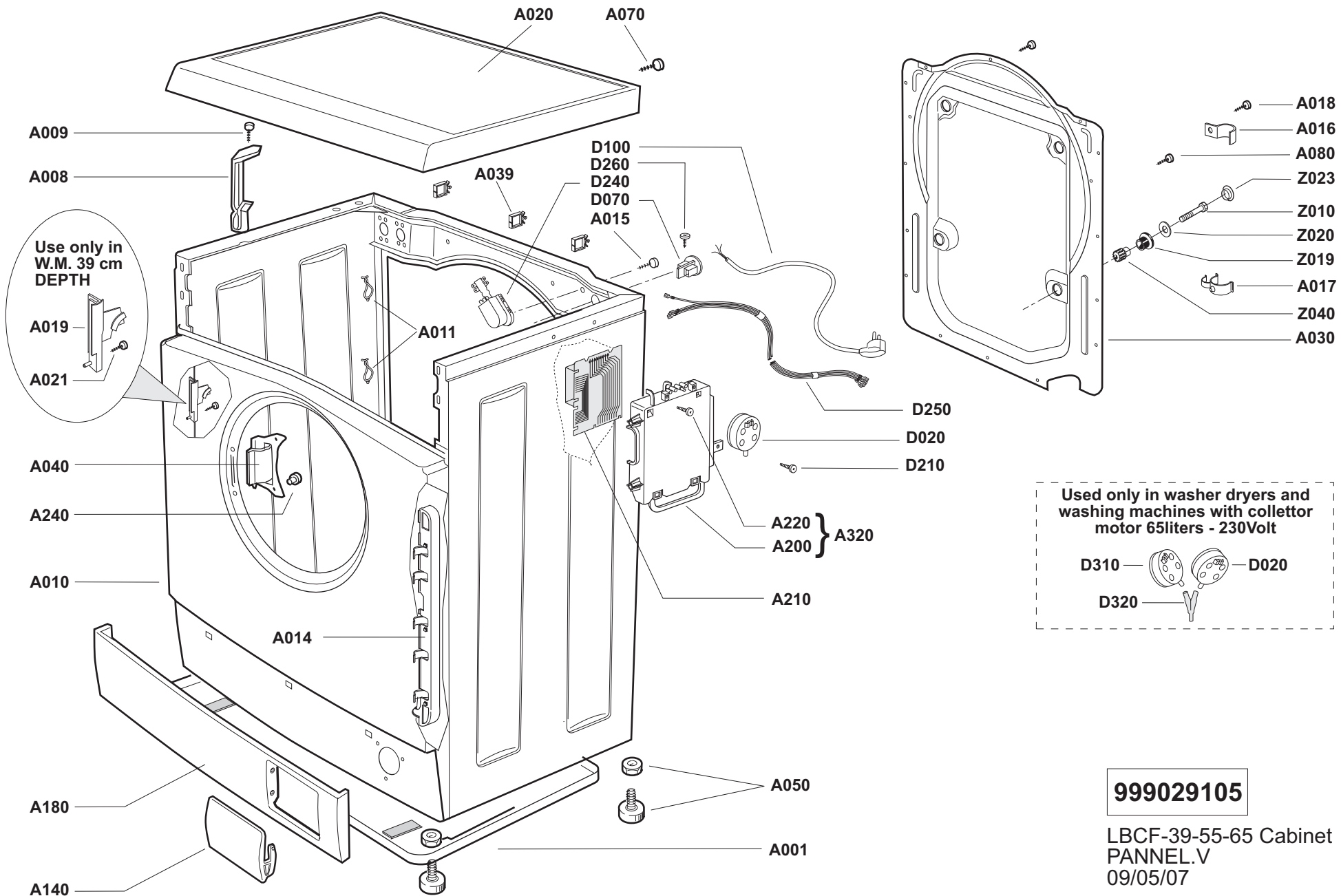
Z300

Z024

Z280



**Used only for Washing Machines**  
**33 and 39 cm depth**

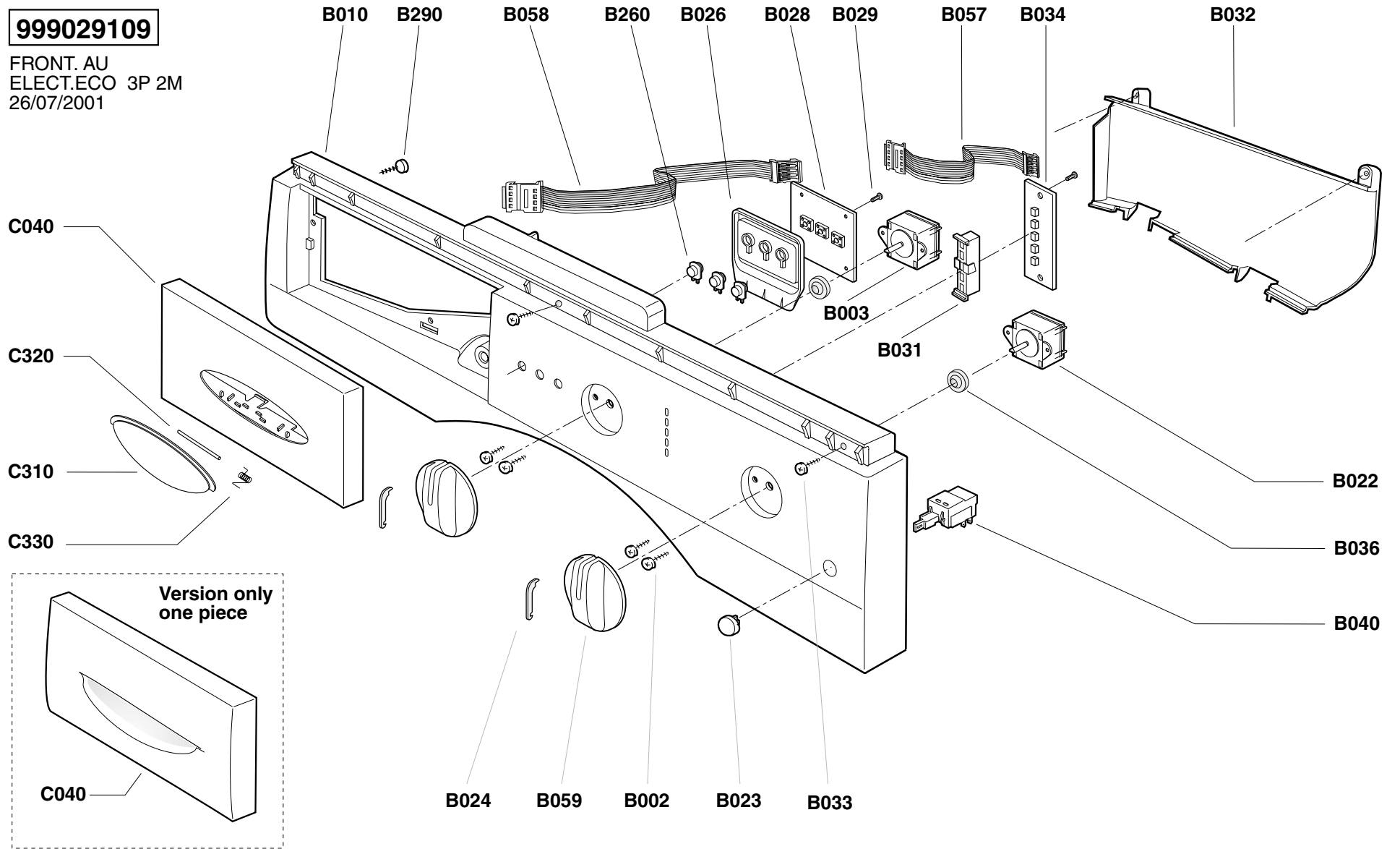


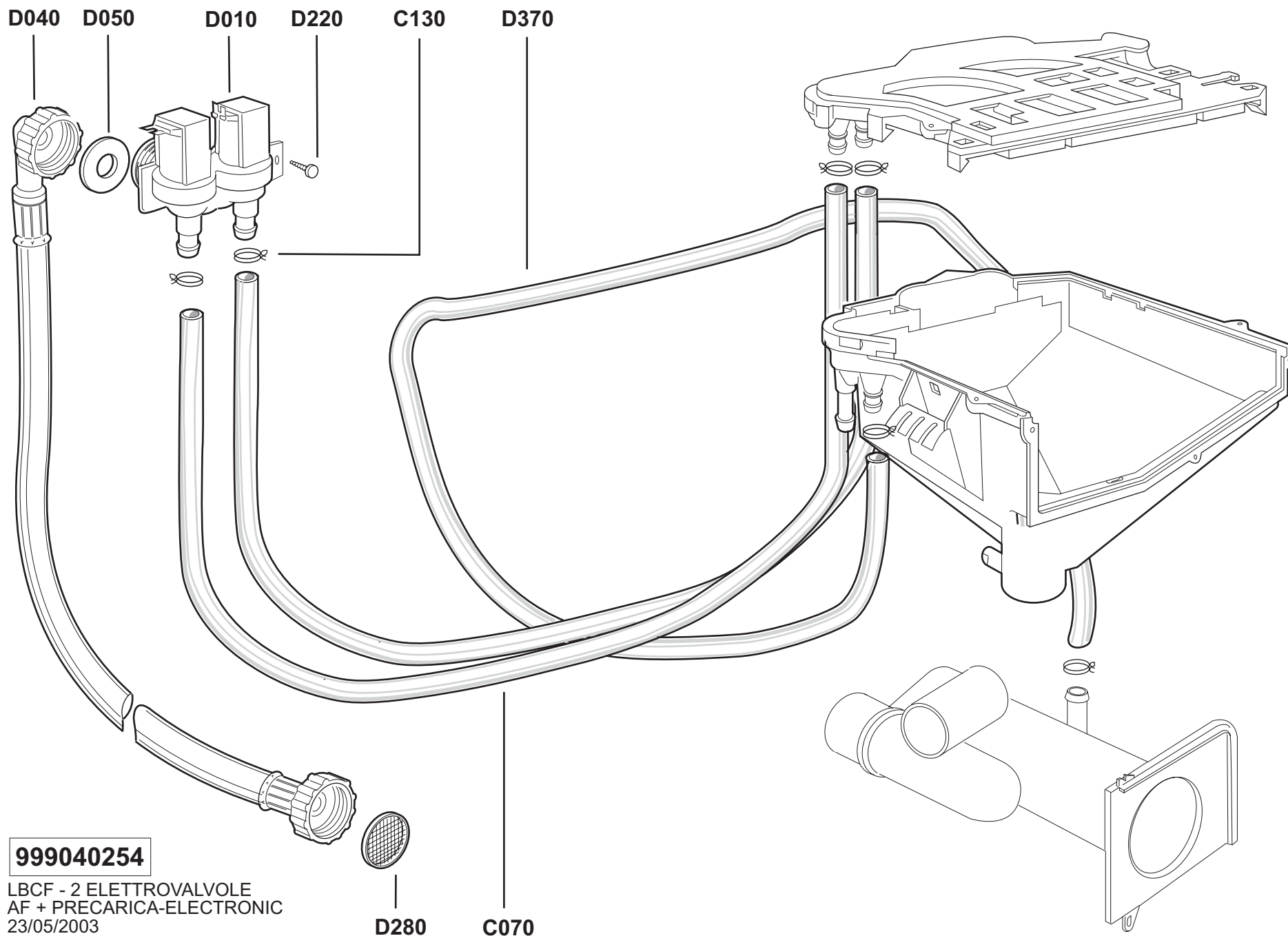
**999029105**

LBCF-39-55-65 Cabinet  
 PANNEL.V  
 09/05/07

**999029109**

FRONT. AU  
ELECT.ECO 3P 2M  
26/07/2001



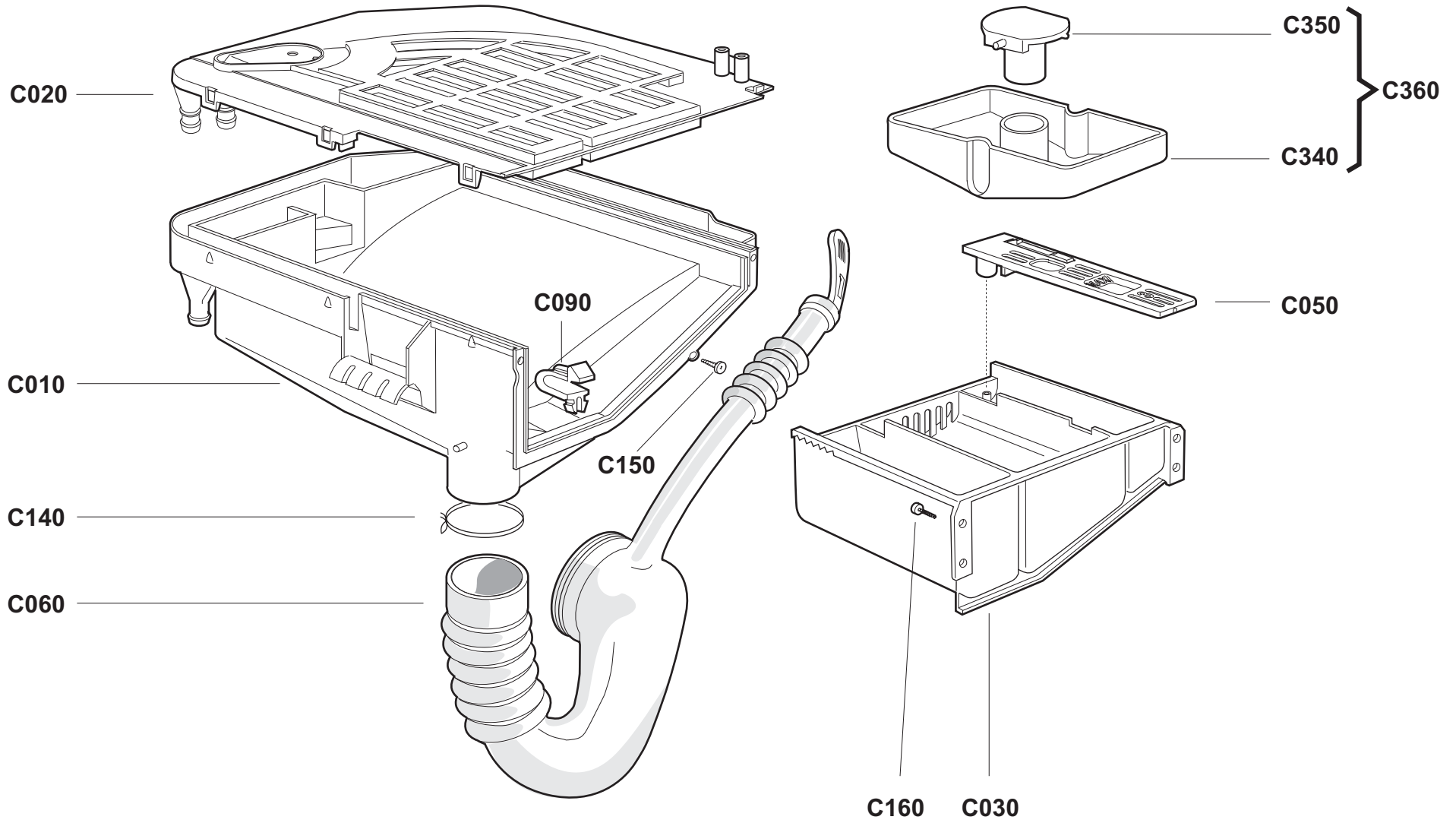


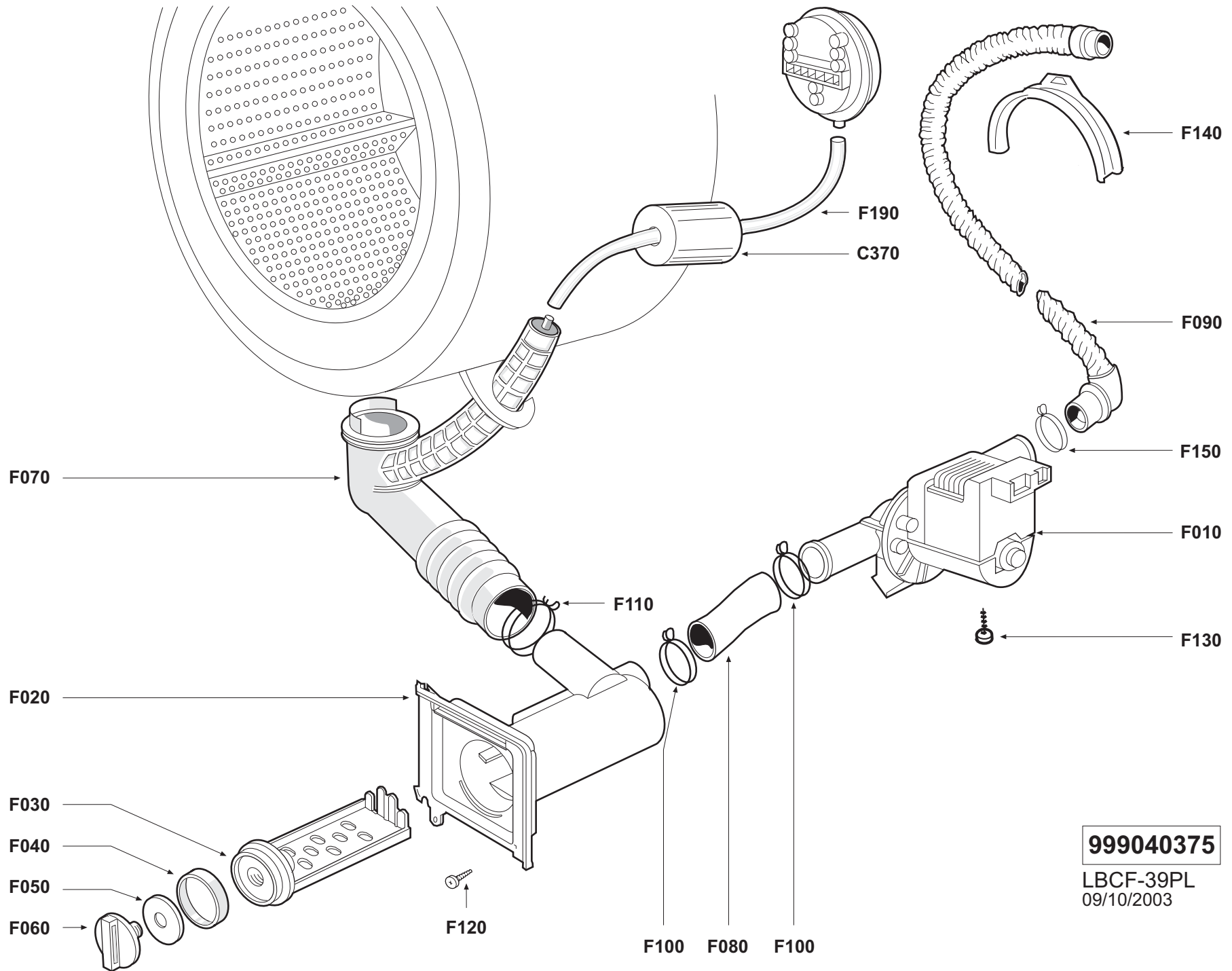
**999040254**

LBCF - 2 ELETTROVALVOLE  
 AF + PRECARICA-ELECTRONIC  
 23/05/2003

**999040364**

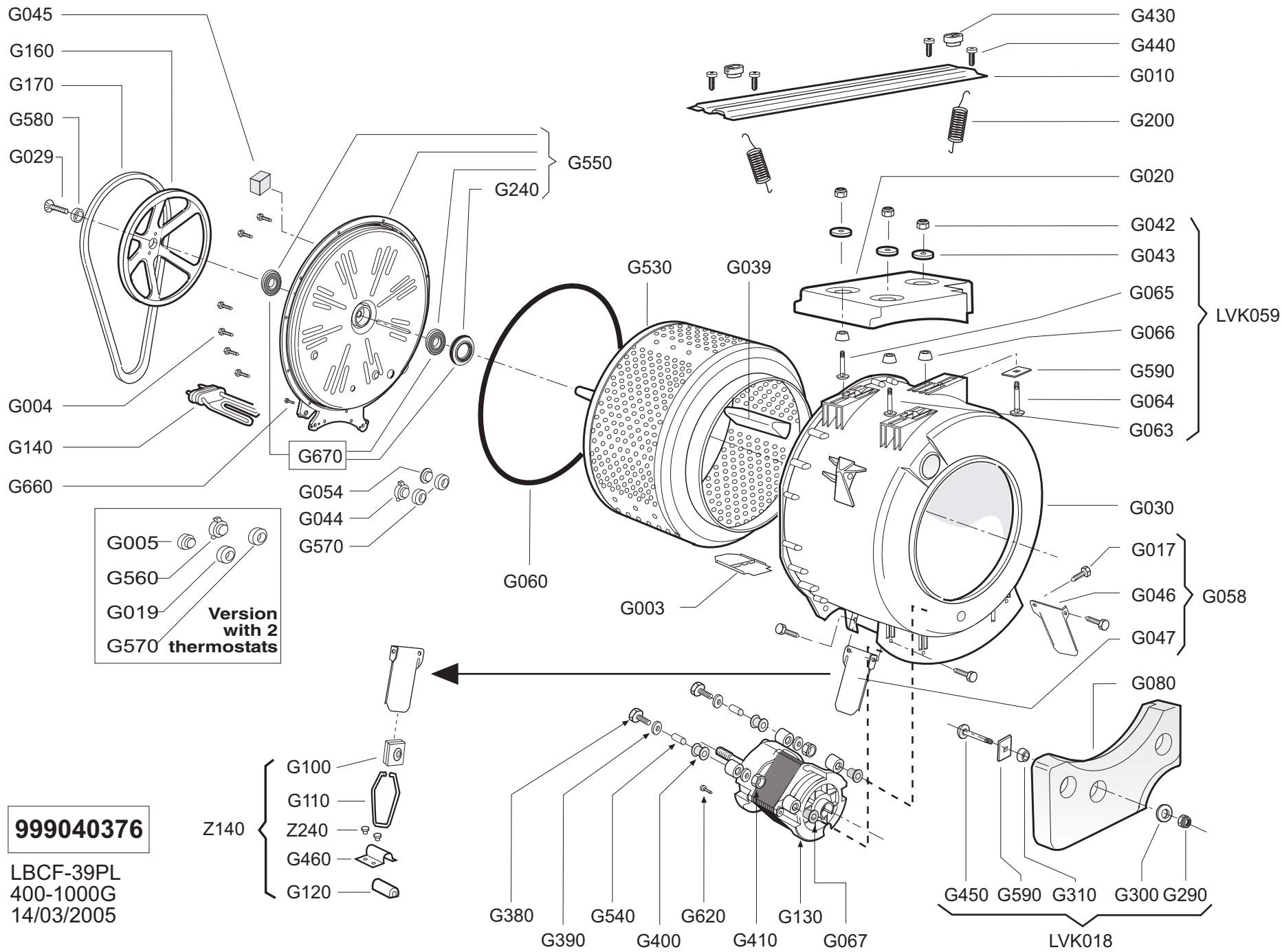
CFE with 2 Water Valve  
12/03/2003





**999040375**  
 LBCF-39PL  
 09/10/2003



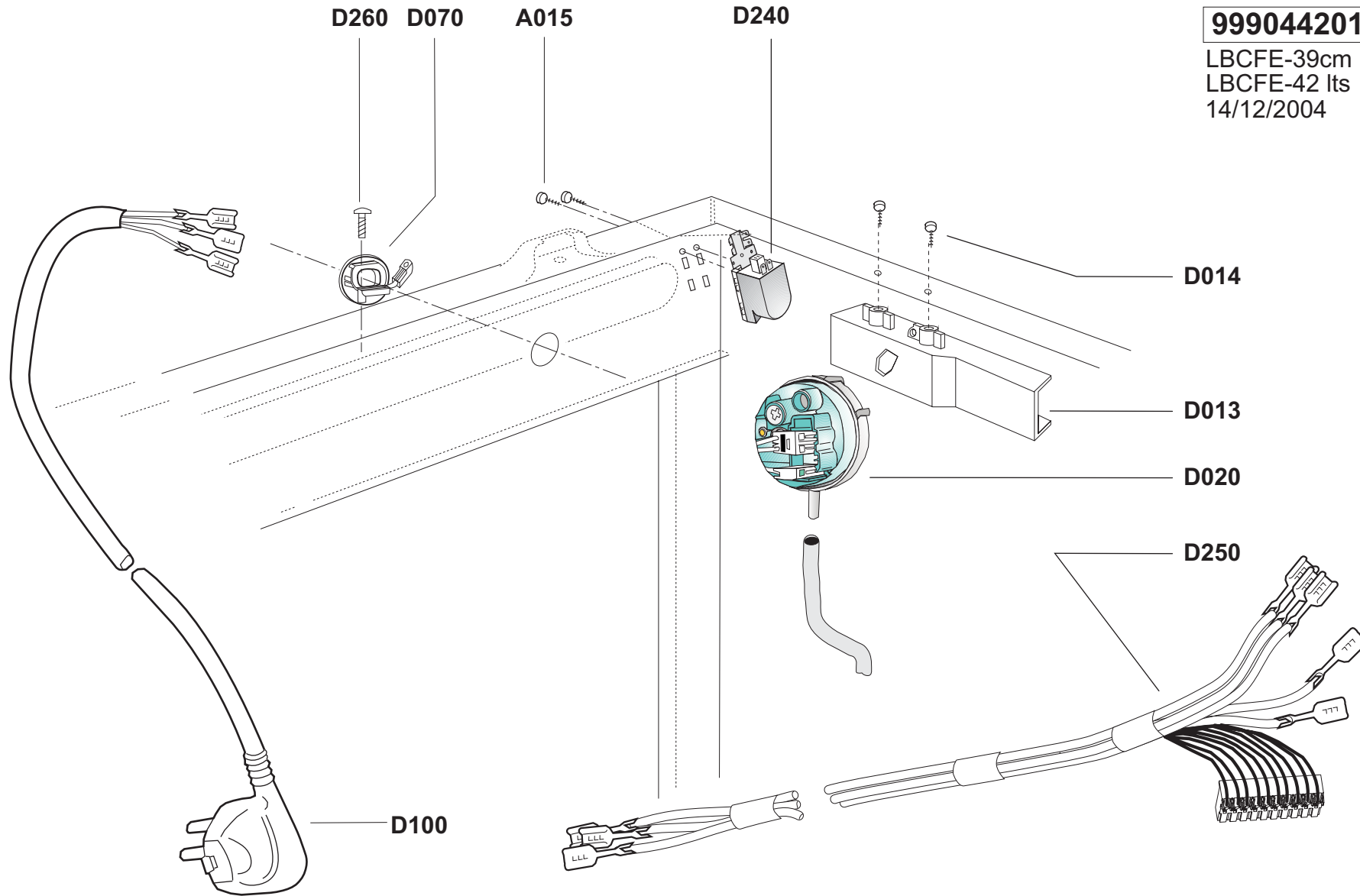


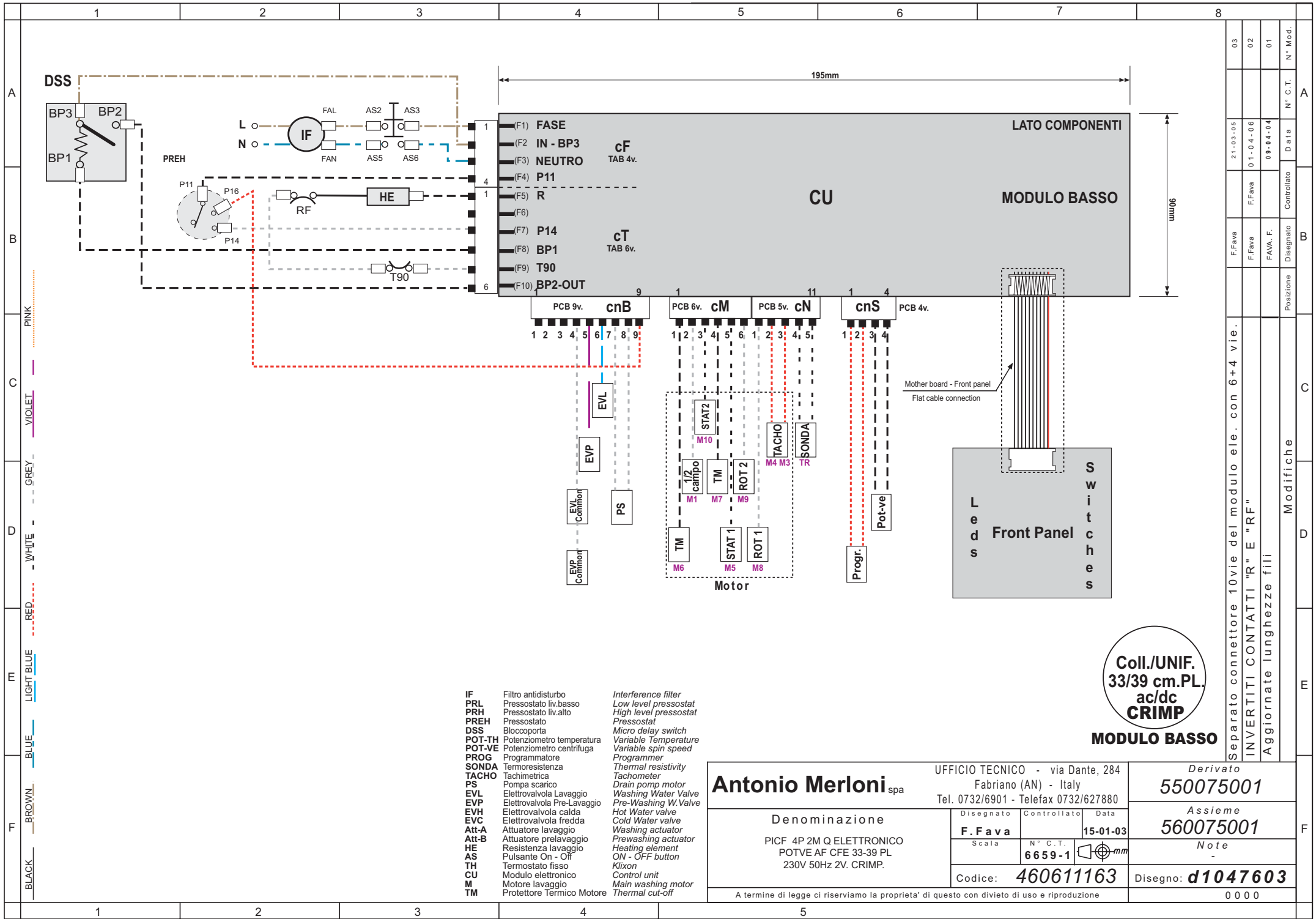
**999040376**

LBCF-39PL  
 400-1000G  
 14/03/2005

**999044201**

LBCFE-39cm  
LBCFE-42 lts  
14/12/2004





- |        |                             |                       |
|--------|-----------------------------|-----------------------|
| IF     | Filtro antisturbo           | Interference filter   |
| PRL    | Pressostato liv.basso       | Low level pressostat  |
| PRH    | Pressostato liv.alto        | High level pressostat |
| PREH   | Pressostato                 | Pressostat            |
| DSS    | Bloccoporta                 | Micro delay switch    |
| POT-TH | Potenzimetro temperatura    | Variable Temperature  |
| POT-VE | Potenzimetro centrifuga     | Variable spin speed   |
| PROG   | Programmatore               | Programmer            |
| SONDA  | Termoresistenza             | Thermal resistivity   |
| TACHO  | Tachimetrica                | Tachometer            |
| PS     | Pompa scarico               | Drain pump motor      |
| EVL    | Elettrovalvola Lavaggio     | Washing Water Valve   |
| EVP    | Elettrovalvola Pre-Lavaggio | Pre-Washing W.Valve   |
| EVH    | Elettrovalvola calda        | Hot Water valve       |
| EVC    | Elettrovalvola fredda       | Cold Water valve      |
| Att-A  | Attuatore lavaggio          | Washing actuator      |
| Att-B  | Attuatore prelavaggio       | Prewashing actuator   |
| HE     | Resistenza lavaggio         | Heating element       |
| AS     | Pulsante On - Off           | ON - OFF button       |
| TH     | Termostato fisso            | Klixon                |
| CU     | Modulo elettronico          | Control unit          |
| M      | Motore lavaggio             | Main washing motor    |
| TM     | Protettore Termico Motore   | Thermal cut-off       |

**Coil./UNIF.**  
**33/39 cm.PL.**  
**ac/dc**  
**CRIMP**  
**MODULO BASSO**

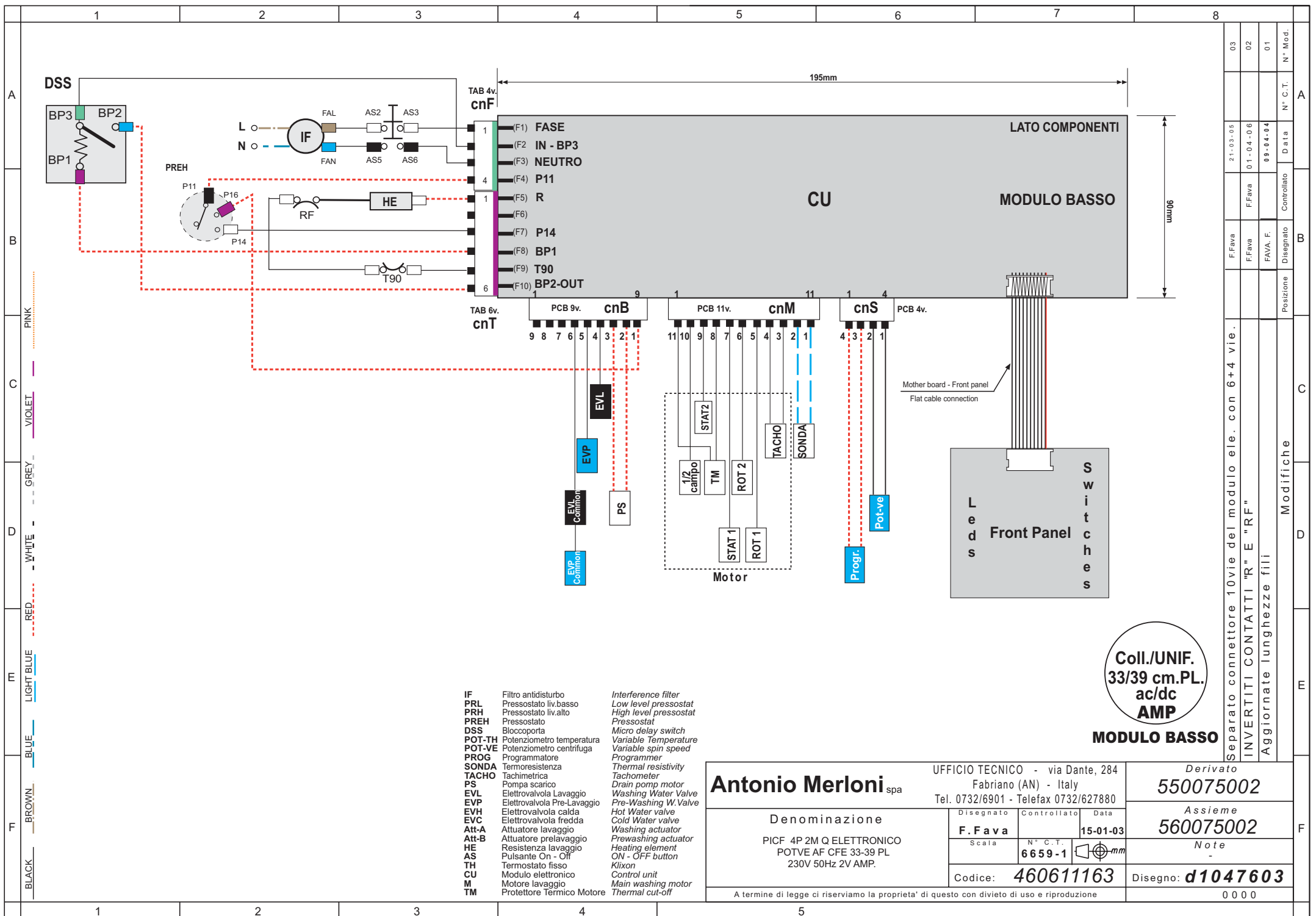
<b>Antonio Merloni</b> spa Denominazione PICF 4P 2M Q.ELETTRONICO POTVE AF CFE 33-39 PL 230V 50Hz 2V. CRIMP.		UFFICIO TECNICO - via Dante, 284 Fabriano (AN) - Italy Tel. 0732/6901 - Telefax 0732/627880		Derivato <b>550075001</b>	
		Disegnato <b>F. Fava</b> Controllato Data Scala <b>6659-1</b> N° C.T. <b>15-01-03</b>		Assieme <b>560075001</b> Note	
Codice: <b>460611163</b>			Disegno: <b>d1047603</b>		
A termine di legge ci riserviamo la proprieta' di questo con divieto di uso e riproduzione				0 0 0	

Separato connettore 10vie del modulo ele. con 6+4 vie.  
 INVERTITI CONTATTI "R" E "RF"  
 Aggiornate lunghezze fili

Posizione	Disegnato	Controllato	Data	N° C.T.	N° Mod.
	F.Fava	F.Fava	21-03-05		03
	F.Fava	F.Fava	01-04-06		02
	F.AVA. F.	F.AVA. F.	09-04-04		01

BLACK    BROWN    BLUE    LIGHT BLUE    RED    WHITE    GREY    VIOLET    PINK

A    B    C    D    E    F



- |        |                             |                       |
|--------|-----------------------------|-----------------------|
| IF     | Filtro antidisturbo         | Interference filter   |
| PRL    | Pressostato liv.basso       | Low level pressostat  |
| PRH    | Pressostato liv.alto        | High level pressostat |
| PREH   | Pressostato                 | Pressostat            |
| DSS    | Bloccoporta                 | Micro delay switch    |
| POT-TH | Potenzimetro temperatura    | Variable Temperature  |
| POT-VE | Potenzimetro centrifuga     | Variable spin speed   |
| PROG   | Programmatore               | Programmer            |
| SONDA  | Termoresistenza             | Thermal resistivity   |
| TACHO  | Tachimetrica                | Tachometer            |
| PS     | Pompa scarico               | Drain pump motor      |
| EVL    | Elettrovalvola Lavaggio     | Washing Water Valve   |
| EVP    | Elettrovalvola Pre-Lavaggio | Pre-Washing W.Valve   |
| EVC    | Elettrovalvola calda        | Hot Water Valve       |
| Att-A  | Elettrovalvola fredda       | Cold Water valve      |
| Att-B  | Attuatore lavaggio          | Washing actuator      |
| HE     | Resistenza lavaggio         | Prewashing actuator   |
| AS     | Pulsante On - Off           | Heating element       |
| TH     | Termostato fisso            | ON - OFF button       |
| CU     | Modulo elettronico          | Klixon                |
| M      | Motore lavaggio             | Control unit          |
| TM     | Protettore Termico Motore   | Main washing motor    |
|        |                             | Thermal cut-off       |

**Coil./UNIF.**  
**33/39 cm.PL.**  
**ac/dc**  
**AMP**

**MODULO BASSO**

<h2 style="margin: 0;">Antonio Merloni</h2> <p style="margin: 0;">PICF 4P 2M Q.ELETTRONICO                  POTVE AF CFE 33-39 PL                  230V 50Hz 2V AMP.</p>		UFFICIO TECNICO - via Dante, 284 Fabriano (AN) - Italy Tel. 0732/6901 - Telefax 0732/627880		Derivato <h3 style="margin: 0;">550075002</h3>	
		Denominazione		Disegnato <b>F. Fava</b>	
Codice: <b>460611163</b>		Disegno: <b>d1047603</b>		Assieme <h3 style="margin: 0;">560075002</h3>	
A termine di legge ci riserviamo la proprieta' di questo con divieto di uso e riproduzione		Note -		Note -	
A termine di legge ci riserviamo la proprieta' di questo con divieto di uso e riproduzione				0 0 0	

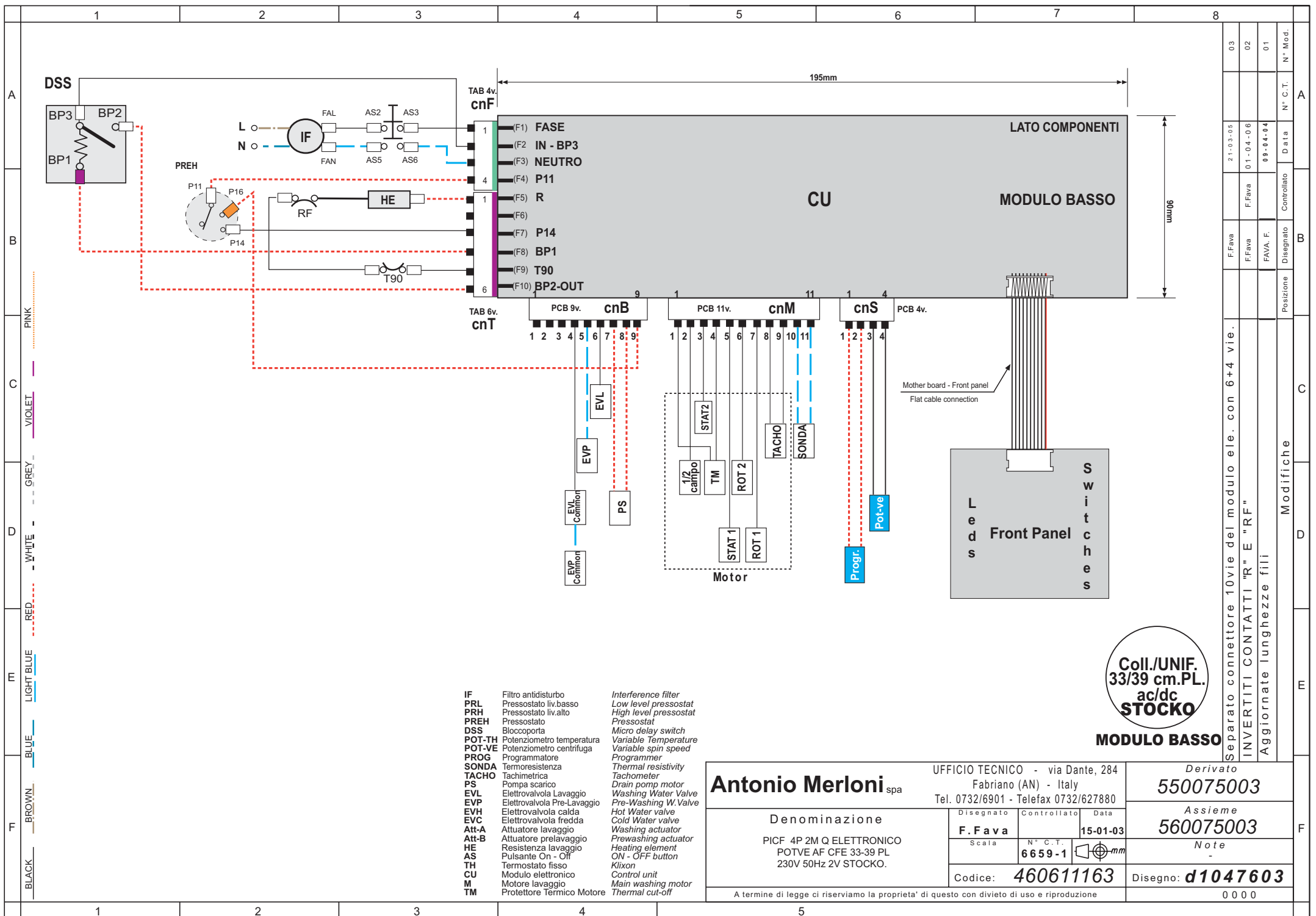
03	21-03-05	F.Fava	F.Fava	FAVA.F.	N° C.T.
02	01-04-06	Disegnato	Controllato	Data	N° Mod.
01	09-04-04	Posizione	Disegnato	Data	N° C.T.
Modifiche					

- BLACK
- BROWN
- BLUE
- LIGHT BLUE
- RED
- WHITE
- GREY
- VIOLET
- PINK

Separato connettore 10vie del modulo ele. con 6+4 vie.

INVERTITI CONTATTI "R" E "RF"

Aggiornate lunghezze fili



PINK  
VIOLET  
GREY  
WHITE  
RED  
LIGHT BLUE  
BLUE  
BROWN  
BLACK

- |        |                             |                       |
|--------|-----------------------------|-----------------------|
| IF     | Filtro antidisturbo         | Interference filter   |
| PRL    | Pressostato liv.basso       | Low level pressostat  |
| PRH    | Pressostato liv.alto        | High level pressostat |
| PREH   | Pressostato                 | Pressostat            |
| DSS    | Bloccoporta                 | Micro delay switch    |
| POT-TH | Potenzimetro temperatura    | Variable Temperature  |
| POT-VE | Potenzimetro centrifuga     | Variable spin speed   |
| PROG   | Programmatore               | Programmer            |
| SONDA  | Termoresistenza             | Thermal resistivity   |
| TACHO  | Tachimetrica                | Tachometer            |
| PS     | Pompa scarico               | Drain pump motor      |
| EVL    | Elettrovalvola Lavaggio     | Washing Water Valve   |
| EVP    | Elettrovalvola Pre-Lavaggio | Pre-Washing W.Valve   |
| EVH    | Elettrovalvola calda        | Hot Water valve       |
| EVC    | Elettrovalvola fredda       | Cold Water valve      |
| Att-A  | Attuatore lavaggio          | Washing actuator      |
| Att-B  | Attuatore prelavaggio       | Prewashing actuator   |
| HE     | Resistenza lavaggio         | Heating element       |
| AS     | Pulsante On - Off           | ON - OFF button       |
| TH     | Termostato fisso            | Klixon                |
| CU     | Modulo elettronico          | Control unit          |
| M      | Motore lavaggio             | Main washing motor    |
| TM     | Protettore Termico Motore   | Thermal cut-off       |



**MODULO BASSO**

<b>Antonio Merloni</b> spa Denominazione PICF 4P 2M Q.ELETTRONICO POTVE AF CFE 33-39 PL 230V 50Hz 2V STOCKO.		UFFICIO TECNICO - via Dante, 284 Fabriano (AN) - Italy Tel. 0732/6901 - Telefax 0732/627880		Derivato <b>550075003</b>	
		Disegnato <b>F. Fava</b> Controllato Data Scala <b>6659-1</b> N° C.T. <b>6659-1</b>		Assieme <b>560075003</b> Note	
Codice: <b>460611163</b>			Disegno: <b>d1047603</b>		
A termine di legge ci riserviamo la proprieta' di questo con divieto di uso e riproduzione					0 0 0

03	21-03-05	F.Fava	F.Fava	FAVA.F.	Posizione	Disegnato	Controllato	Data	N° C.T.	N° Mod.
02	01-04-06	F.Fava	F.Fava	FAVA.F.	Disegnato	Disegnato	Controllato	Data	N° C.T.	N° Mod.
01	09-04-04	F.Fava	F.Fava	FAVA.F.	Disegnato	Disegnato	Controllato	Data	N° C.T.	N° Mod.

Separato connettore 10vie del modulo ele. con 6+4 vie.  
 INVERTITI CONTATTI "R" E "RF"  
 Aggiornate lunghezze fili

Modifiche

**Ersatzteilliste**


---

**Maschine**      010141032      LBCF NOAU 12C60PECH-39 F EUROTECH EW1239 A 230V 50HZ
 

---

<i>Ersatzt.</i>	<i>Pos.Expl.</i>	<i>Beschreib.</i>	<i>Laufzeit</i>		<i>Men</i>
246009900	CFA040	SCHARNIER	01/01/1900	03/04/2005	1
246021500	CFA040	SCHARNIER	03/04/2005	31/12/4999	1
248004600	CFC050	GITTER EINSPUELKAMMER WEICHSPUELER	01/01/1900	31/12/4999	1
256013500	CFG046	FUEHRUNGSBUEGEL RECHTER GLEITSCHUH	01/01/1900	31/12/4999	1
256013600	CFG047	FUEHRUNGSBUEGEL LINKER GLEITSCHUH	01/01/1900	31/12/4999	1
258017300	CFG010	QUERSTANGE FUER FEDER	01/01/1900	31/12/4999	1
266005900	CFG590	HALTERUNGSPLATTCHEN F.GEGENGEWICHT	01/01/1900	31/12/4999	6
268003500	CFG460	HALTERUNG FUER STOSSDAEMPFER	01/01/1900	31/12/4999	2
268017800	CFG160	RIEMENSCHIBE ANTRIEB	01/01/1900	31/12/4999	1
268079200	CFG003	SCHUTZPLAETTCHEN WIDERSTAND	01/01/1900	31/12/4999	1
276006801	CFA030	RUCKWARTIGER DECKEL	01/01/1900	31/12/4999	1
322067600	CFC310	DECKEL FUER HANDGRIFF	01/01/1900	31/12/4999	1
324002800	CFE080	SICHTFENSTERGRIFF	01/01/1900	31/12/4999	1
326120400	CFB059	DREHKNOPF UMSCHALTER	01/01/1900	31/12/4999	2
330109300	CFC020	WASCHMITTEL-DECKEL-BEHALTER	01/01/1900	31/12/4999	1
332044500	CFB023	ON-OFF TASTE	01/01/1900	31/12/4999	1
332045100	CFB260	DRUCKTASTE	01/01/1900	31/12/4999	3

&lt;CONTINUE ...&gt;

**Ersatzteilliste**


---

**Maschine**      010141032      LBCF NOAU 12C60PECH-39 F EUROTECH EW1239 A 230V 50HZ
 

---

<i>Ersatzt.</i>	<i>Pos.Expl.</i>	<i>Beschreib.</i>	<i>Laufzeit</i>		<i>Men</i>
336008300	CFB024	INDEX PROGRAMMWAHLSCHALTER	01/01/1900	31/12/4999	2
338003100	CFE050	SICHTFENSTER RAHMEN	01/01/1900	31/12/4999	1
344000900	CFE250	UNTERRAHMEN F.SICHTFENSTER	01/01/1900	31/12/4999	1
348004200	CFC010	WASCHMITTEL-BEHALTER	01/01/1900	31/12/4999	1
350003200	CFC350	ABLAUF D.FLUSSIGWASCHMITTEL-BEHALTERS	01/01/1900	31/12/4999	1
350003500	CFF060	FILTERVERSCHLUSS	01/01/1900	31/12/4999	1
350009900	CFZ023	VERSCHLUSS PLASTIKVERPACKUNG	01/01/1900	31/12/4999	4
352009700	CFG045	SCHUTZ ZWISCHEN BOTTICH UND MOEBEL	01/01/1900	31/12/4999	1
352011400	CFB032	SCHUTZVORR. ELEKTRISCHE KOMPONENTEN	01/01/1900	17/03/2005	1
354020500	CFA014	VERTIKALE HALTERUNG SITZ VERKABELUNG	01/01/1900	31/12/4999	1
354032300	CFD013	FIXIERGEHAEUSE DRUCKWAECHTER	01/01/1900	31/12/4999	1
366011300	CFA180	SOCKEL	01/01/1900	02/01/2006	1
366030200	CFA180	SOCKEL	02/01/2006	31/12/4999	1
368023600	CFB031	HALTERUNG FUER KONTROLLAMPENABDECKUNG 5 LEDS	01/01/1900	31/12/4999	1
368033100	CFA200	KARTENBEHALTER	01/01/1900	31/12/4999	1
398010900	CFG066	DUEBEL OBERES GEGENGEWICHT	01/01/1900	31/12/4999	3
398019000	CFC030	WASCHMITTELBEHAELTER	01/01/1900	31/12/4999	1

&lt;CONTINUE ...&gt;

**Ersatzteilliste**


---

**Maschine**      010141032      LBCF NOAU 12C60PECH-39 F EUROTECH EW1239 A 230V 50HZ
 

---

<i>Ersatzt.</i>	<i>Pos.Expl.</i>	<i>Beschreib.</i>	<i>Laufzeit</i>		<i>Men</i>
398019400	CFF140	SCHLAUCHKLEMME F.SCHLAUFE D.ABLAUFSCHLAUCHES	01/01/1900	31/12/4999	1
398020800	CFC340	BEHALTER F.FLUSSIGWASCHMITTEL	01/01/1900	31/12/4999	1
398025800	CFD070	KABELKLEMME	01/01/1900	31/12/4999	1
398034000	CFA011	SENKEL HAKEN VERKABELUNG	01/01/1900	31/12/4999	3
398048100	CFF030	FILTEREINSATZ	01/01/1900	31/12/4999	1
398061800	CFE110	HALTER FUER SICHTFENSTERGLAS	01/01/1900	31/12/4999	6
398062000	CFE220	EINSATZSTUECK FUR TURVERSCHLUSSHAKEN	01/01/1900	26/02/1999	1
398079200	CFG310	EINSATZSTUECK FUER GEGENGEWICHT	01/01/1900	31/12/4999	3
398108000	CFA039	CLIP DRAHTFIXIERUNG MAGNETVENTIL	01/01/1900	31/12/4999	3
398109000	CFA016	SCHLAUCHBEFESTIGER ZUFLUSS-ABFLUSS WASSER GESCHLOSSEN	01/01/1900	31/12/4999	2
398109100	CFA017	SCHLAUCHBEFESTIGER ZUFLUSS-ABFLUSS WASSER OFFE	01/01/1900	31/12/4999	3
398120800	CFC070	ZUFUHRUNGSSCHLAUCH	01/01/1900	31/12/4999	2
398121000	CFF020	FILTERGEHAEUSE	01/01/1900	31/12/4999	1
398126600	CFF080	FILTERANSCHLUSS F.PUMPE	01/01/1900	31/12/4999	1
398137600	CFE220	EINSATZSTUECK FUR TURVERSCHLUSSHAKEN	26/02/1999	31/12/4999	1
398156800	CFA140	FILTERKLAPPE	01/01/1900	02/01/2006	1
398179700	CFG039	MITNEHMER TROMMEL HERAUSNEHMBAR	01/01/1900	31/12/4999	4



**Ersatzteilliste**


---

**Maschine**      010141032      LBCF NOAU 12C60PECH-39 F EUROTECH EW1239 A 230V 50HZ
 

---

<i>Ersatzt.</i>	<i>Pos.Expl.</i>	<i>Beschreib.</i>	<i>Laufzeit</i>		<i>Men</i>
398207600	CFG030	BOTTICH	01/01/1900	31/12/4999	1
398245600	CFE210	TURVERSCHLUSSHAKEN	01/01/1900	31/12/4999	1
398264500	CFA140	FILTERKLAPPE	02/01/2006	31/12/4999	1
402003900	CFD280	FILTERDICHTUNG F.ZULAUFSCHLAUCH	01/01/1900	31/12/4999	1
402004100	CFF040	DICHTUNGFILTER	01/01/1900	31/12/4999	1
402008800	CFG570	DICHTUNG FUER THERMOSTAT	01/01/1900	31/12/4999	1
402009100	CFD050	DICHTUNG FUER ZULAUFSCHLAUCH	01/01/1900	31/12/4999	1
402024900	CFF070	KURVE F.ABLAUFBUCHSE	01/01/1900	31/12/4999	1
402027300	CFB036	DICHTUNG FUER POTENTIOMETER	01/01/1900	31/12/4999	2
402033600	CFG060	DICHTUNG FUER BOTTICH	01/01/1900	31/12/4999	1
402036500	CFB026	ELASTOMER-DICHTUNG FUER TASTEN	01/01/1900	31/12/4999	1
402043300	CFC060	MUFFE WASCHMITTEL EINSPUELUNG	01/01/1900	31/12/4999	1
404001700	CFE020	FENSTERMANSCHETTE	01/01/1900	31/12/4999	1
407001700	CFC370	SCHAUMSTOFFSCHUTZ FUR SCHLAUCH	01/01/1900	31/12/4999	1
408003100	CFD040	SCHLAUCHZULAUF	01/01/1900	31/12/4999	1
414003500	CFF190	DRUCKWACHERROHRE	01/01/1900	31/12/4999	1
414012400	CFF090	SCHLAUCHABLAUF	01/01/1900	31/12/4999	1

&lt;CONTINUE ...&gt;

**Ersatzteilliste**


---

**Maschine**      010141032      LBCF NOAU 12C60PECH-39 F EUROTECH EW1239 A 230V 50HZ
 

---

<i>Ersatz.</i>	<i>Pos.Expl.</i>	<i>Beschreib.</i>	<i>Laufzeit</i>		<i>Men</i>
414015600	CFD370	FILTER-AIR-BREAK-GEHAUSESCHLAUCH	01/01/1900	05/04/2005	1
414018000	CFD370	FILTER-AIR-BREAK-GEHAUSESCHLAUCH	05/04/2005	31/12/4999	1
416003200	CFG170	TREIBRIEMEN	05/11/2003	31/12/4999	1
416004000	CFG170	TREIBRIEMEN	01/01/1900	05/11/2003	1
428000300	CFG540	MOTORBEFESTIGUNGSDISTANZSTUCK	01/01/1900	31/12/4999	2
430007100	CFG065	SCHRAUBE FUER GEGENGEWICHT 8X65	01/01/1900	31/12/4999	1
430014000	CFG380	SCHRAUBE FUER MOTOR	01/01/1900	14/07/2003	2
430014100	CFG064	SCHRAUBE FUER GEGENGEWICHT 8X90	01/01/1900	31/12/4999	1
430014100	CFG450	SCHRAUBE FUER GEGENGEWICHT UNTEN	01/01/1900	31/12/4999	3
430015500	CFD220	SCHRAUBE FUER ELEKTROVEN.	01/01/1900	12/12/2002	4
430016000	CFG029	FESTSTELLSCHRAUBE RIEMENSCHIBE ROHRLEITUNG	01/01/1900	31/12/4999	1
430016400	CFG380	SCHRAUBE FUER MOTOR	01/01/1900	14/07/2003	2
430018200	CFG063	SCHRAUBE FUER GEGENGEWICHT 8X50	01/01/1900	31/12/4999	1
430026800	CFG380	SCHRAUBE FUER MOTOR	14/07/2003	31/12/4999	2
432003200	CFB002	FESTSTELLSCHRAUBE POTENTIOMETER	06/03/2005	09/11/2005	2
432003200	CFB002	FESTSTELLSCHRAUBE POTENTIOMETER	24/01/2003	06/03/2005	2
432003400	CFE100	SCHRAUBE F.SICHTFENSTERGLAS	01/01/1900	31/12/4999	6

**Ersatzteilliste**


---

**Maschine**      010141032      LBCF NOAU 12C60PECH-39 F EUROTECH EW1239 A 230V 50HZ
 

---

<i>Ersatz.</i>	<i>Pos.Expl.</i>	<i>Beschreib.</i>	<i>Laufzeit</i>		<i>Men</i>
432003700	CFD260	KABELHALTER-SCHRAUBE	01/01/1900	31/12/4999	1
432004600	CFB290	SCHRAUBE Z.BEFESTIGUNG D.BLENDE	01/01/1900	29/03/2005	4
432004600	CFD220	SCHRAUBE FUER ELEKTROVEN.	12/12/2002	27/11/2003	2
432004600	CFD220	SCHRAUBE FUER ELEKTROVEN.	27/11/2003	02/02/2004	2
432004600	CFA015	FESTSTELLSCHRAUBE ENTSTOERER	01/01/1900	02/02/2004	2
432004600	CFA080	SCHRAUBE FUER RUECKWARTIGEN DECKEL	01/01/1900	19/10/2001	12
432004600	CFG440	F.FEDERQUERSTUCK	01/01/1900	02/02/2004	4
432004800	CFE150	SCHRAUBE F.RUCKZUGFEDER D.KLINKE	01/01/1900	02/02/2004	4
432004900	CFA070	SCHRAUBE FUER OBEREN DECKEL	01/01/1900	28/04/2003	2
432004900	CFA220	BEFESTIGUNGSSCHRAUBE F.KARTENBEHALTER	01/01/1900	02/02/2004	2
432005100	CFE120	SCHRAUBE FUER SCHARNIER D.SICHTFENSTERS	03/04/2005	31/12/4999	3
432007400	CFZ010	SCHRAUBE F.VERPACKUNG	01/01/1900	31/12/4999	4
432008700	CFF120	SCHRAUBE FUER FILTER- GEHAEUSE	01/01/1900	31/12/4999	2
432008800	CFC150	SCHRAUBE FUER WASCHMITTELBEHALTER	01/01/1900	18/11/2003	3
432009300	CFB002	FESTSTELLSCHRAUBE POTENTIOMETER	01/01/1900	24/01/2003	2
432009400	CFB033	FESTSTELLSCHRAUBE SCHUTZVORR. ELEKTRISCHE KOMponenten	01/01/1900	17/03/2005	2
432009400	CFD014	FESTSTELLSCHRAUBE GEHAEUSE DRUCKWAECHTER	01/01/1900	31/12/4999	2

&lt;CONTINUE ...&gt;

**Ersatzteilliste**


---

**Maschine**      010141032      LBCF NOAU 12C60PECH-39 F EUROTECH EW1239 A 230V 50HZ
 

---

<i>Ersatz.</i>	<i>Pos.Expl.</i>	<i>Beschreib.</i>	<i>Laufzeit</i>		<i>Men</i>
432009800	CFF130	SCHRAUBE FUER ELEKTROPUMPE	01/01/1900	31/12/4999	2
432010000	CFB290	SCHRAUBE Z.BEFESTIGUNG D.BLENDE	29/03/2005	31/12/4999	4
432010600	CFC160	SCHRAUBE FUER WASCHMITTELHANDGRIFF	01/01/1900	31/12/4999	4
432012600	CFE002	SCHRAUBE ZUR FIXIERUNG TUERVERRIEGELUNG AN MOEB01/01/1900	01/01/1900	31/12/4999	2
432013400	CFE120	SCHRAUBE FUER SCHARNIER D.SICHTFENSTERS	01/01/1900	03/04/2005	3
432013800	CFG004	BEFESTIGUNGSSCHRAUBE BECKENBODEN	01/01/1900	31/12/4999	18
432024000	CFB002	FESTSTELLSCHRAUBE POTENTIOMETER	24/01/2003	06/03/2005	2
432024000	CFB002	FESTSTELLSCHRAUBE POTENTIOMETER	09/11/2005	31/12/4999	4
432026000	CFB029	FESTSTELLSCHRAUBE ELEKTRONIKKARTE	01/01/1900	31/12/4999	5
432027400	CFG017	FESTSTELLSCHRAUBE BUEGEL FUEHRUNG SCHUH	01/01/1900	31/12/4999	4
432028100	CFD220	SCHRAUBE FUER ELEKTROVEN.	12/12/2002	27/11/2003	2
432028100	CFG440	F.FEDERQUERSTUCK	02/02/2004	31/12/4999	4
432028100	CFA018	FESTSTELLSCHR. ROHRBEFESTIGER ZUFLUSS-ABFLUSS WASSER GESCHLOSSEN	01/01/1900	31/12/4999	2
432028100	CFA015	FESTSTELLSCHRAUBE ENTSTOERER	02/02/2004	31/12/4999	2
432028100	CFA080	SCHRAUBE FUER RUECKWARTIGEN DECKEL	19/10/2001	31/12/4999	12
432028100	CFD220	SCHRAUBE FUER ELEKTROVEN.	02/02/2004	13/02/2005	2
432028400	CFA070	SCHRAUBE FUER OBEREN DECKEL	28/04/2003	31/12/4999	2

&lt;CONTINUE ...&gt;

**Ersatzteilliste**


---

**Maschine**      010141032      LBCF NOAU 12C60PECH-39 F EUROTECH EW1239 A 230V 50HZ
 

---

<i>Ersatz.</i>	<i>Pos.Expl.</i>	<i>Beschreib.</i>	<i>Laufzeit</i>		<i>Men</i>
432028400	CFA220	BEFESTIGUNGSSCHRAUBE F.KARTENBEHALTER	02/02/2004	31/12/4999	2
432031200	CFC150	SCHRAUBE FUER WASCHMITTELBEHALTER	18/11/2003	31/12/4999	3
432032200	CFE150	SCHRAUBE F.RUCKZUGFEDER D.KLINKE	02/02/2004	31/12/4999	2
434000200	CFA060	MUTTER FUER FUSS	01/01/1900	31/12/4999	4
434002100	CFG290	MUTTER F.GEGENGEWICHT	01/01/1900	31/12/4999	3
434002100	CFG410	MUTTER FUER MOTOR	01/01/1900	31/12/4999	2
434006500	CFG042	MUTTER F.GEGENGEWICHT OBEN	01/01/1900	31/12/4999	3
436000600	CFG390	U-SCHEIBE FUER MOTOR	01/01/1900	31/12/4999	2
436006400	CFZ020	U-SCHEIBE F.SCHRAUBE D.VERPACKUNG	01/01/1900	31/12/4999	4
436006400	CFG043	U-SCHEIBE F.GEGENGEWICHT OBEN	01/01/1900	31/12/4999	3
436006500	CFG300	U-SCHEIBE F.GEGENGEWICHT	01/01/1900	31/12/4999	3
436007100	CFG580	UNTERLEGSCHIEBE F.RIEMENSCHIEBE	01/01/1900	31/12/4999	1
438000100	CFZ240	NIETEN F. BREMSBEFESTIGUNG	01/01/1900	31/12/4999	4
438001800	CFA240	NIETE F.SICHTFENSTERSCHARNIER	01/01/1900	31/12/4999	4
440000100	CFD190	ROHRKLEMME FUER DRUCKWACHTER	01/01/1900	04/05/2003	1
440000200	CFC130	SHELLE F.VERSORGUNGSSCHLAUCH	01/01/1900	31/12/4999	2
440000200	CFD200	ELEKTROVENTIL KLEMME	01/01/1900	31/12/4999	2

&lt;CONTINUE ...&gt;

**Ersatzteilliste**


---

**Maschine**      010141032      LBCF NOAU 12C60PECH-39 F EUROTECH EW1239 A 230V 50HZ
 

---

<i>Ersatz.</i>	<i>Pos.Expl.</i>	<i>Beschreib.</i>	<i>Laufzeit</i>		<i>Men</i>
440000400	CFF150	SCHELLE F.ABFLUSSSCHLAUCH	01/01/1900	31/12/4999	1
440000500	CFF100	SCHELLE FUR FILTERANSCHLUSS D.PUMPE	01/01/1900	31/12/4999	2
440000600	CFC140	MUFFENSCHELLE F. WASCHMITEINSPULUNG	01/01/1900	31/12/4999	1
440001700	CFF110	SCHELLE FUR ABLAUFBUCHSENKURVE	01/01/1900	31/12/4999	1
441006000	CFF050	FILTERRING	01/01/1900	31/12/4999	1
441006200	CFE010	RING MIT SCHRAUBE FUER BALGENDICHTUNG	01/01/1900	14/01/2004	1
441006300	CFE030	SPANNRING FUER FENSTERMANSCHETTE	01/01/1900	31/12/4999	1
441009700	CFG120	BUCHSE F.STOSSDAMPFER	01/01/1900	31/12/4999	2
441017600	CFZ019	BUCHSE FUER DISTANZSTUECK VERPACKUNG	01/01/1900	31/12/4999	4
441022600	CFG067	BUCHSE MOTOR HINTEN	01/01/1900	31/12/4999	2
441028600	CFG400	MOTORBUCHSE	01/01/1900	31/12/4999	2
441031500	CFE010	RING MIT SCHRAUBE FUER BALGENDICHTUNG	14/01/2004	31/12/4999	1
443001800	CFC320	BOLZEN F.BEHALTERGRIFF	01/01/1900	31/12/4999	1
443004800	CFE200	STIFT FUER TUERVERSCHLUSSHAKEN	01/01/1900	31/12/4999	1
444000600	CFG110	BUEGEL FUER STOSSDAEMPFER	01/01/1900	31/12/4999	2
444001800	CFC090	FEDER FUER WASCHMITTELBEHALTER	01/01/1900	31/12/4999	1
444002500	CFC330	RUECKZUGFEDER F.DECKEL D.GRIFFES	01/01/1900	31/12/4999	1

**Ersatzteilliste**


---

**Maschine**      010141032      LBCF NOAU 12C60PECH-39 F EUROTECH EW1239 A 230V 50HZ
 

---

<i>Ersatzt.</i>	<i>Pos.Expl.</i>	<i>Beschreib.</i>	<i>Laufzeit</i>		<i>Men</i>
444005700	CFB210	FEDER FUER THERMOSTATKNOPF	01/01/1900	31/12/4999	2
444008500	CFE230	FEDER	01/01/1900	31/12/4999	1
444008600	CFE160	RUCKZUGFEDER F.KLINKE	01/01/1900	31/12/4999	1
444016800	CFG200	AUFHAENGEFEDER BOTTICH	01/01/1900	18/09/2003	2
444021000	CFG200	AUFHAENGEFEDER BOTTICH	18/09/2003	31/12/4999	2
450001400	CFA050	FUSS REGULIERBAR	01/01/1900	31/12/4999	4
460611163	LVZ000	ELEKTRISCHER SCHALTPLAN	01/01/1900	31/12/4999	1
461304690	CFZ330	GEBRAUCHSANWEISUNG	01/01/1900	31/12/4999	1
461305083	CFZ025	HANDBUCH TECHNISCHE DATEN	01/01/1900	31/12/4999	1
464246159	LVT001	KLEBER MARKE	01/01/1900	31/12/4999	1
466000001	LVD001	DOKUMENT MANUELLE ABNAHME MODUL MINI-SEL	01/01/1900	20/12/2004	1
466000016	LVD008	DOKUMENT TECHNISCHE INFORMATION MAGNETISCHE ENTKALKER	01/01/1900	31/12/4999	1
466000029	LVD019	DOKUMENT AUSTAUSCH GEGENGEWICHT+TRAGFEDERN	01/01/1900	31/12/4999	1
466000039	LVD027	DOKUMENT INFORMATION FLANSCH + TROMMEL	01/01/1900	31/12/4999	1
466000050	LVD035	WARTUNGSHANDBUCH FUER ELEKTRONEN GERAETE	01/01/1900	31/12/4999	1
466000065	LVD044	ELEKTRONISCHES WARTUNGSHANDBUCH	01/01/1900	31/12/4999	1
466000100	LVD057	DOKUMENT WANNENAUSTAUSCH SOCKEL	01/01/1900	31/12/4999	1

**Ersatzteilliste**


---

**Maschine**      010141032      LBCF NOAU 12C60PECH-39 F EUROTECH EW1239 A 230V 50HZ
 

---

<i>Ersatzt.</i>	<i>Pos.Expl.</i>	<i>Beschreib.</i>	<i>Laufzeit</i>		<i>Men</i>
470016700	CFZ040	DISTANZSTUCK AUS KUNSTSTOFF F.VERPACKUNG	01/01/1900	31/12/4999	4
470030300	CFZ290	OBERE VERPACKUNGS-UMHUELLUNG	01/01/1900	31/12/4999	1
470030400	CFZ280	UNTERE VERPACKUNGS-UMHUELLUNG	01/01/1900	31/12/4999	1
476009000	CFZ300	VORDERES WINKELPROFIL RECHTS-LINKS	01/01/1900	31/12/4999	2
476017100	CFZ310	HINTERES WINKELPROFIL RECHTS-LINKS	01/01/1900	31/12/4999	2
490008300	CFG020	GEGENGEWICHT OBEN	01/01/1900	18/09/2003	1
490009100	CFG080	GEGENGEWICHT UNTEN	01/01/1900	31/12/4999	1
490010100	CFG020	GEGENGEWICHT OBEN	18/09/2003	23/03/2004	1
490010800	CFG020	GEGENGEWICHT OBEN	23/03/2004	31/12/4999	1
493001200	CFE040	SICHTFENSTERGLAS	01/01/1900	31/12/4999	1
499003600	CFG430	FEDERRING	01/01/1900	31/12/4999	2
499004900	CFG100	BREMSBLOCK	01/01/1900	31/12/4999	4
502005800	CFB002	FESTSTELLSCHRAUBE POTENTIOMETER	24/01/2003	06/03/2005	1
502016600	CFB022	PROGRAMMSCHALTER	01/01/1900	06/03/2005	1
502025500	CFB034	ELEKTRONIKKARTE LED	01/01/1900	31/12/4999	1
502030300	CFB028	ELEKTRONIKKARTE TASTEN	01/01/1900	31/12/4999	1
502050000	CFB003	POTENTIOMETER	01/01/1900	31/12/4999	1

&lt;CONTINUE ...&gt;



**Ersatzteilliste**


---

**Maschine**      010141032      LBCF NOAU 12C60PECH-39 F EUROTECH EW1239 A 230V 50HZ
 

---

<i>Ersatzt.</i>	<i>Pos.Expl.</i>	<i>Beschreib.</i>	<i>Laufzeit</i>		<i>Men</i>
502050300	CFB022	PROGRAMMSCHALTER	06/03/2005	31/12/4999	1
508015100	CFD100	NETZANSCHLUSSKABEL	01/01/1900	31/12/4999	1
510176400	CFB057	FLACHKABEL FUER ANSCHLUSS KARTE LED-KARTE TASTENKREIS	01/01/1900	31/12/4999	1
510195500	CFB058	FLACHKABEL FUER ANSCHLUSS KARTE TASTENKREIS- ELEKTR. MODUL	11/09/2003	31/12/4999	2
510205100	CFB058	FLACHKABEL FUER ANSCHLUSS KARTE TASTENKREIS- ELEKTR. MODUL	01/01/1900	11/09/2003	1
512020600	CFG130	MOTOR	01/01/1900	31/12/4999	1
518002800	CFF010	ELEKTROPUMPE	01/01/1900	31/12/4999	1
520010400	CFD020	DRUCKWACHTER	01/01/1900	31/12/4999	1
522006700	CFB040	DRUCK KNOPFTAFEL	03/11/2004	31/12/4999	1
522006701	CFB040	DRUCK KNOPFTAFEL	01/01/1900	03/11/2004	1
524017300	CFG140	WIDERSTAND	01/01/1900	31/12/4999	1
526022000	CFG044	FIXES THERMOSTAT MIT TEMPERATURSENSOR	01/01/1900	31/12/4999	1
530001500	CFE060	TUERSCHALTER	01/01/1900	31/12/4999	1
532005900	CFD240	ENTSTOERFILTER	01/01/1900	31/12/4999	1
534008700	CFD010	ELEKTROVENTIL	01/01/1900	13/02/2005	1
534009600	CFD010	ELEKTROVENTIL	13/02/2005	31/12/4999	1
546051200	CFA210	ELEKTRONIK-MODUL	01/01/1900	31/12/4999	1

&lt;CONTINUE ...&gt;

**Ersatzteilliste**


---

**Maschine**      010141032      LBCF NOAU 12C60PECH-39 F EUROTECH EW1239 A 230V 50HZ
 

---

<i>Ersatz.</i>	<i>Pos.Expl.</i>	<i>Beschreib.</i>	<i>Laufzeit</i>		<i>Men</i>
560075000	CFD250	VERKABELUNG	01/01/1900	31/12/4999	1
710052601	CFA010	GEHAEUSE	01/01/1900	31/12/4999	1
718011100	CFG550	SET BODEN+LAGER	01/01/1900	31/12/4999	1
719005000	CFE090	SET-SICHTFENSTERGRIFF	01/01/1900	31/12/4999	1
720019100	CFC360	FLUSSIGWASCHMITTEL-BEHALTER-SET	01/01/1900	31/12/4999	1
720030600	CFZ140	BREMSSCHUH	01/01/1900	31/12/4999	2
720362000	CFG530	FLANSCH + TROMMEL-SET	01/01/1900	31/12/4999	1
720399600	CFA320	MODULTRAGER-GEHAUSEINHEIT	01/01/1900	31/12/4999	1
720470300	CFZ031	GESAMTHEIT SPRITZSCHUTZ	01/01/1900	31/12/4999	1
721072000	CFA020	OBERER DECKEL	01/01/1900	31/12/4999	1
750000400	CFG240	DICHTUNGSRING	01/01/1900	31/12/4999	1
750001000	CFG670	LAGEREINHEIT	01/01/1900	31/12/4999	1
750191100	LVK078	KIT AUSTAUSCH OBERES GEGENGEWICHT+TRAGFEDERN	01/01/1900	31/12/4999	1
750258000	LVK059	FIXIERUNGS-KIT OBERES GEGENGEWICHT	01/01/1900	31/12/4999	1
750258100	LVK018	KIT FIXIERUNG UNTERES GEGENGEWICHT	01/01/1900	31/12/4999	1
750258200	CFG058	KIT FESTSTELLSCHRAUBEN FUEHRUNGSBUEGEL GLEITSCHUHE	01/01/1900	31/12/4999	1
750340200	LVK104	KIT WANNENAUSTAUSCH SOCKEL	01/01/1900	31/12/4999	1

**Ersatzteilliste**

---

**Maschine** 010141032 LBCF NOAU 12C60PECH-39 F EUROTECH EW1239 A 230V 50HZ

---

<i>Ersatz.</i>	<i>Pos.Expl.</i>	<i>Beschreib.</i>	<i>Laufzeit</i>		<i>Men</i>
804659039	CFB010	BLENDRAHMEN	01/01/1900	31/12/4999	1
806269000	CFC040	HANDGRIFF FUER WASCHMIT.	01/01/1900	31/12/4999	1