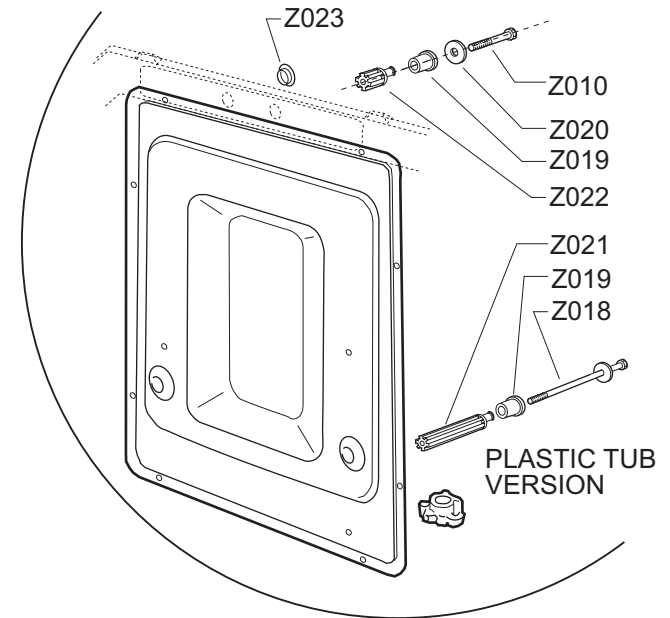
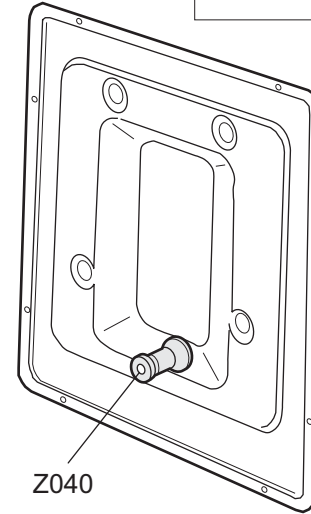
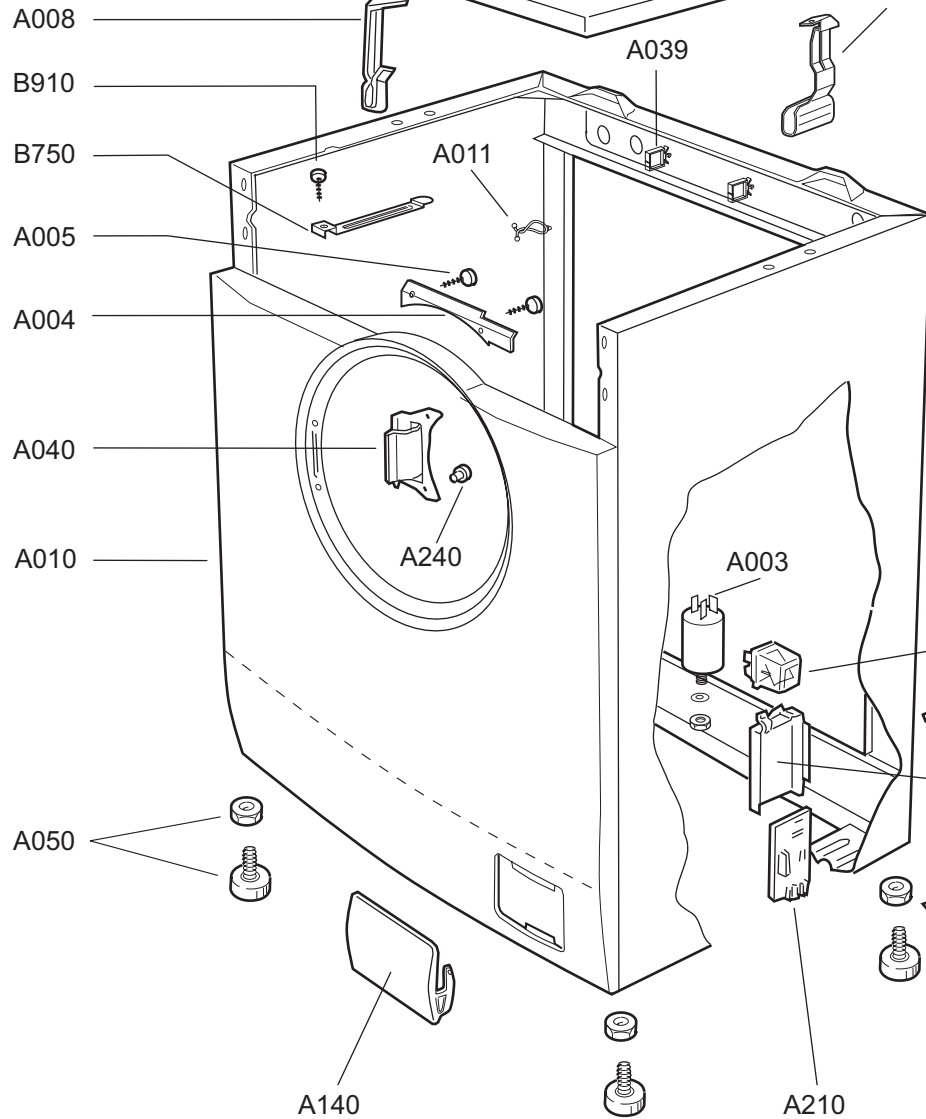
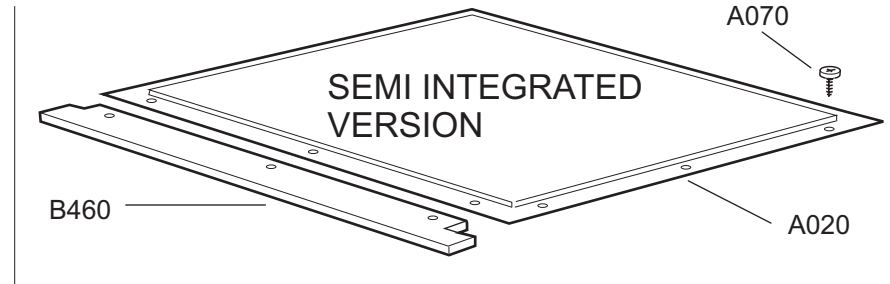


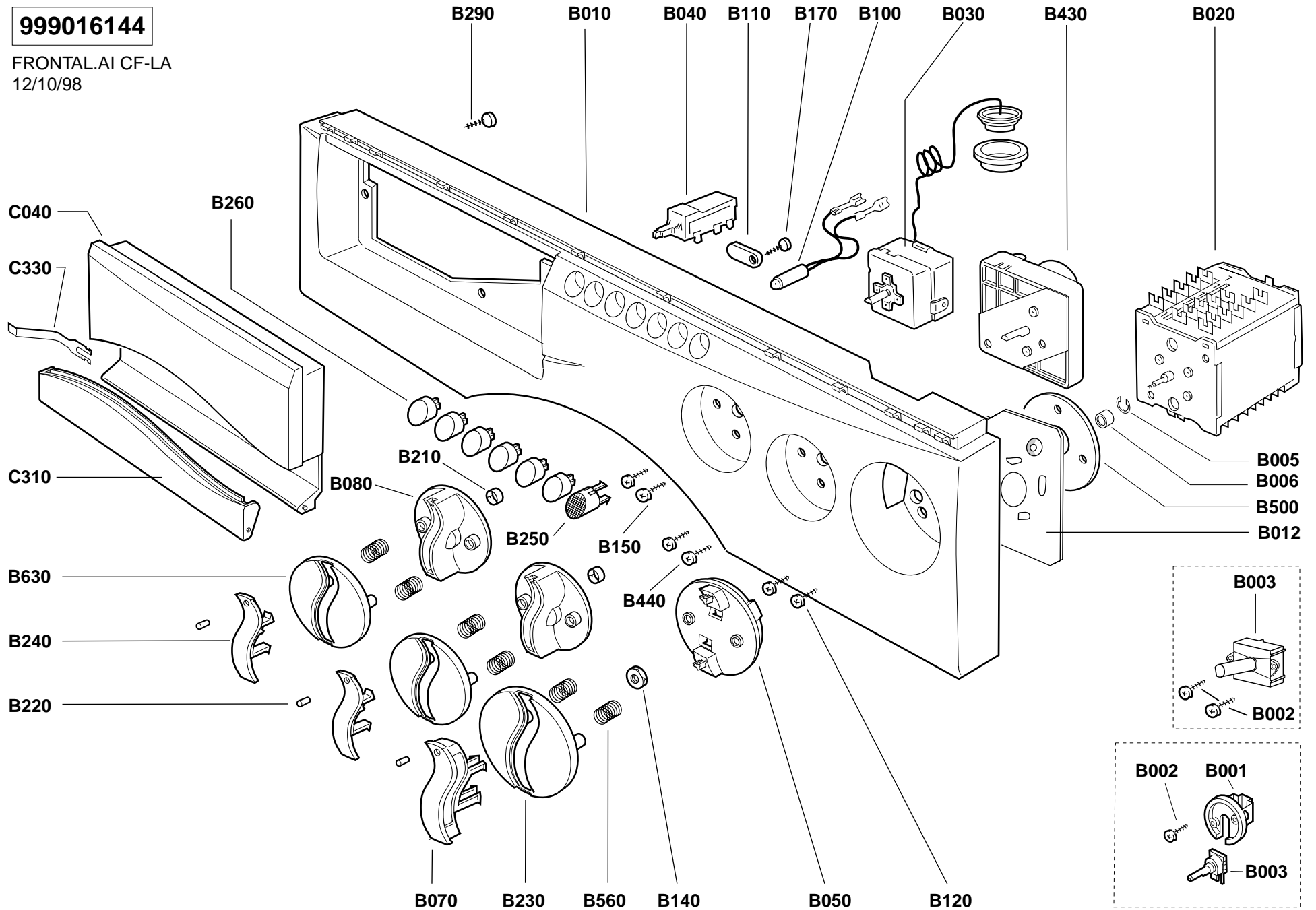
999016109

PANNEL.S-T  
07/05/2007



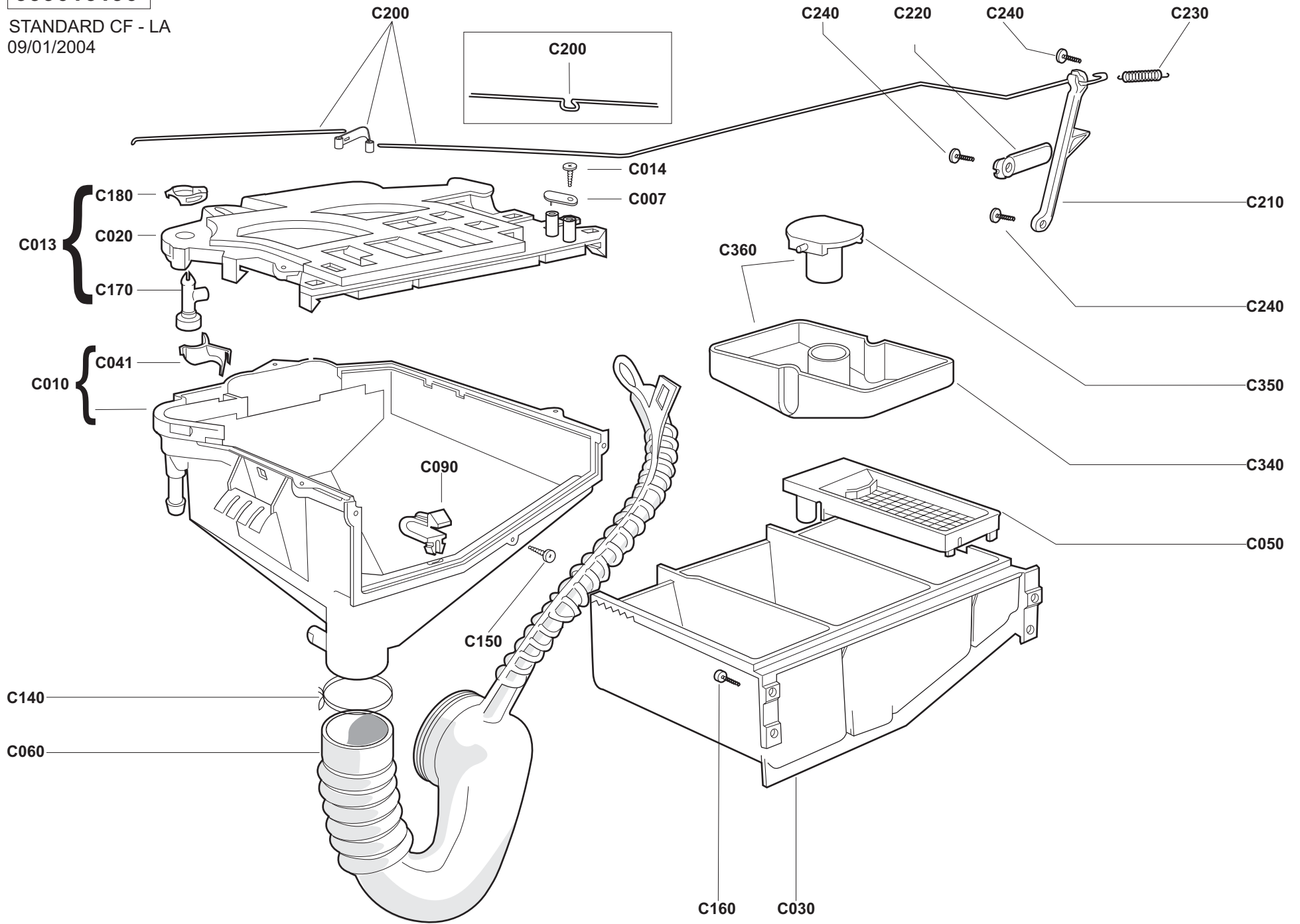
**999016144**

FRONTAL.AI CF-LA  
12/10/98



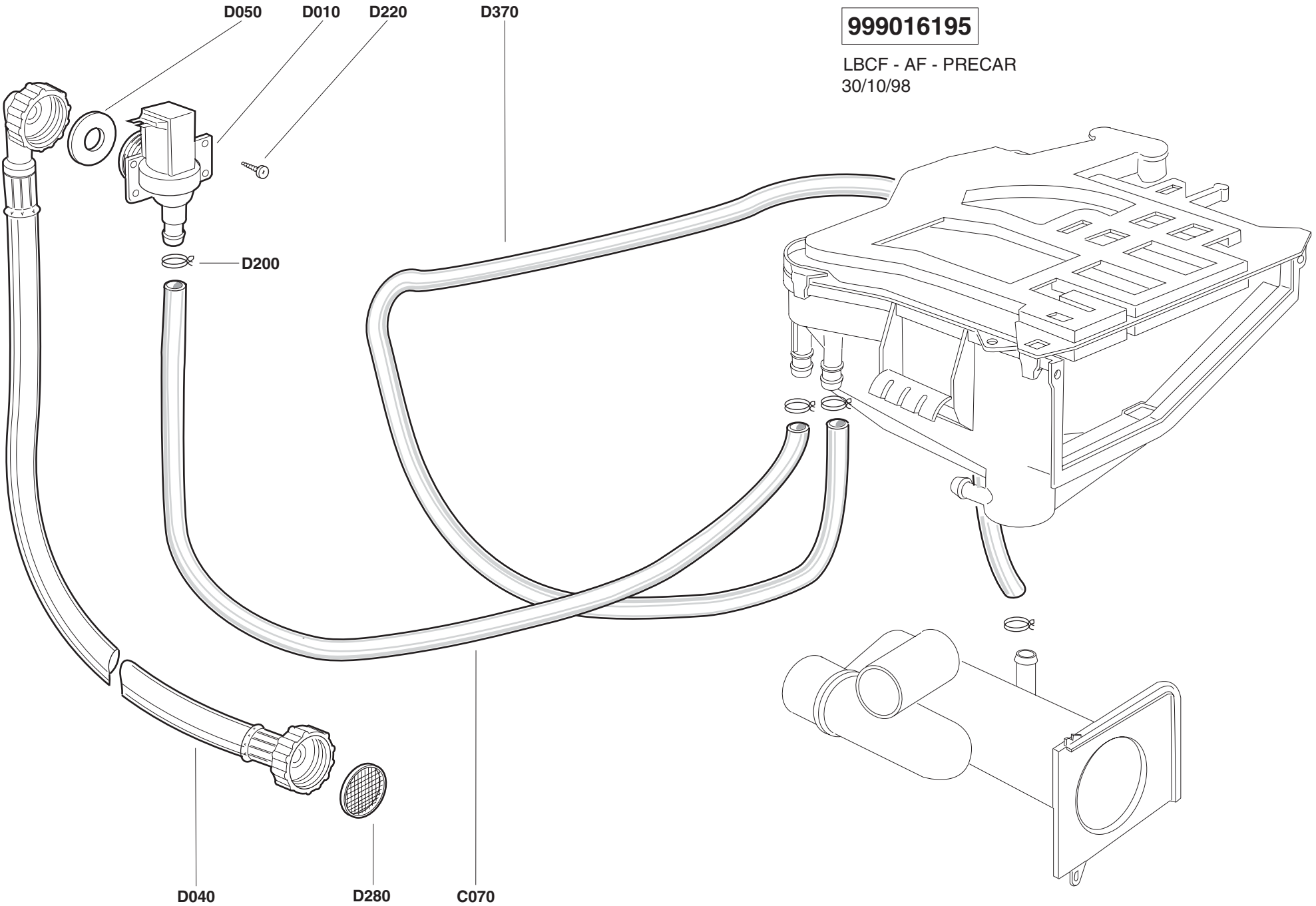
**999016190**

STANDARD CF - LA  
09/01/2004



**999016195**

LBCF - AF - PRECAR  
30/10/98



D050

D010

D220

D370

D200

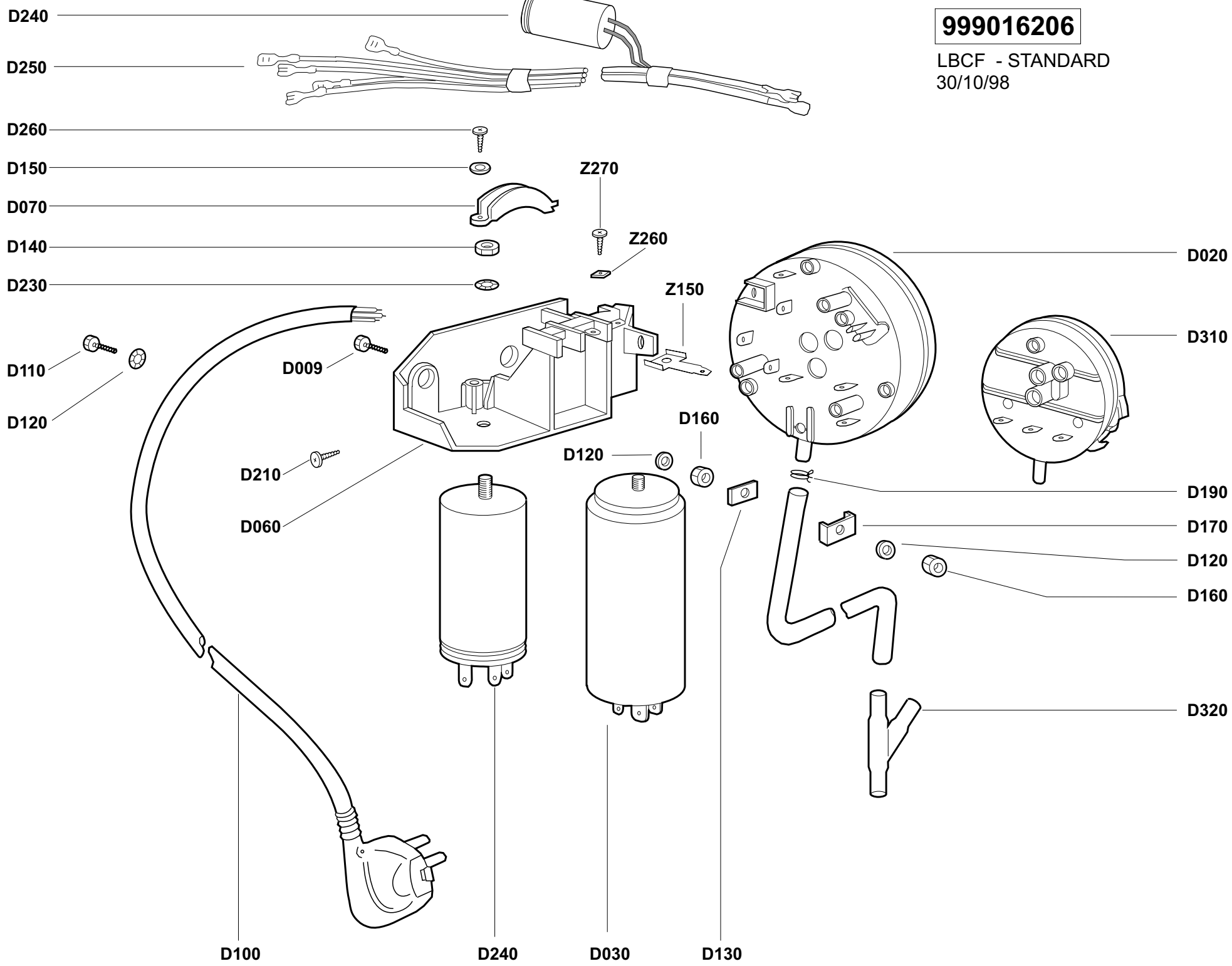
D040

D280

C070

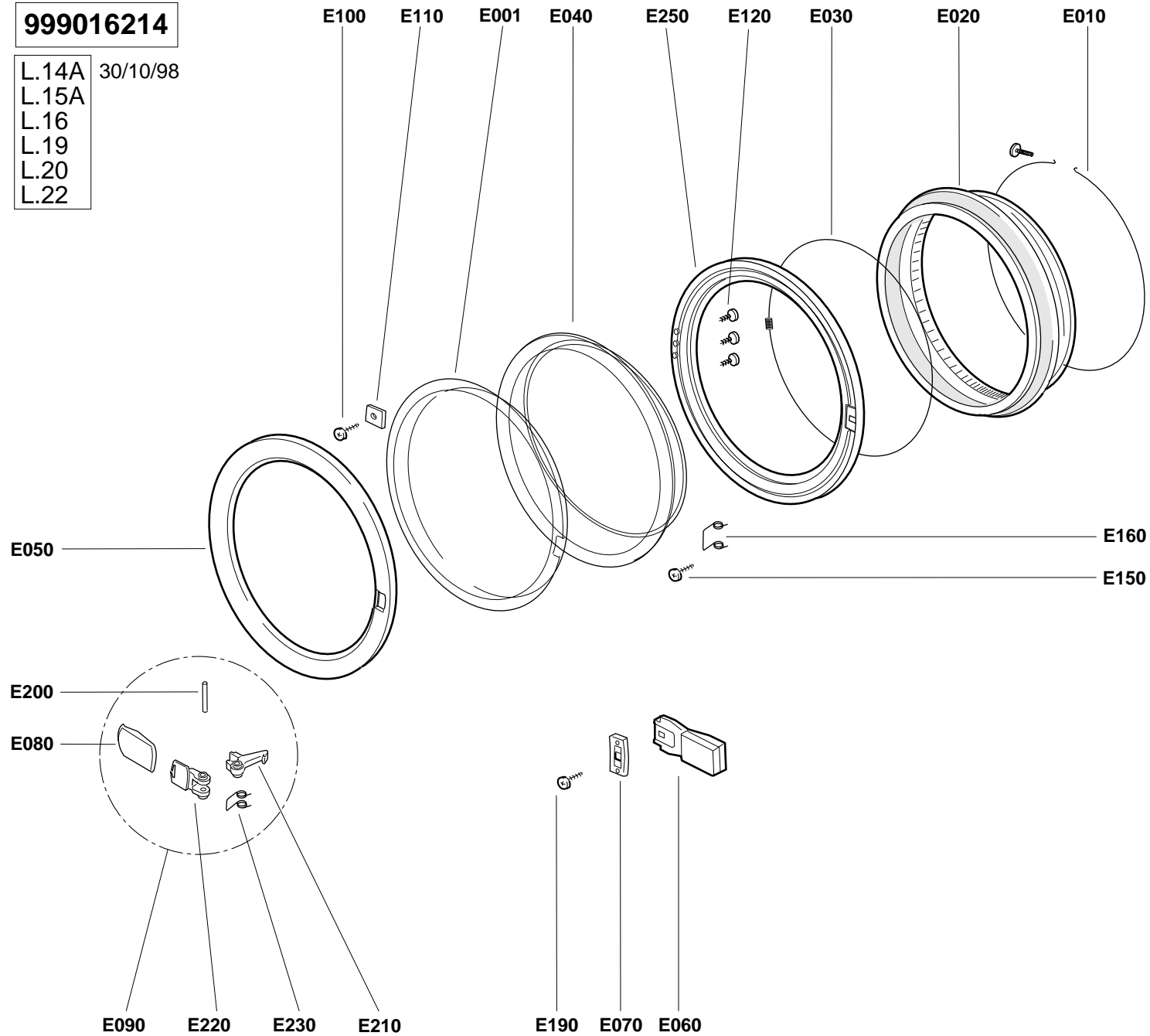
**999016206**

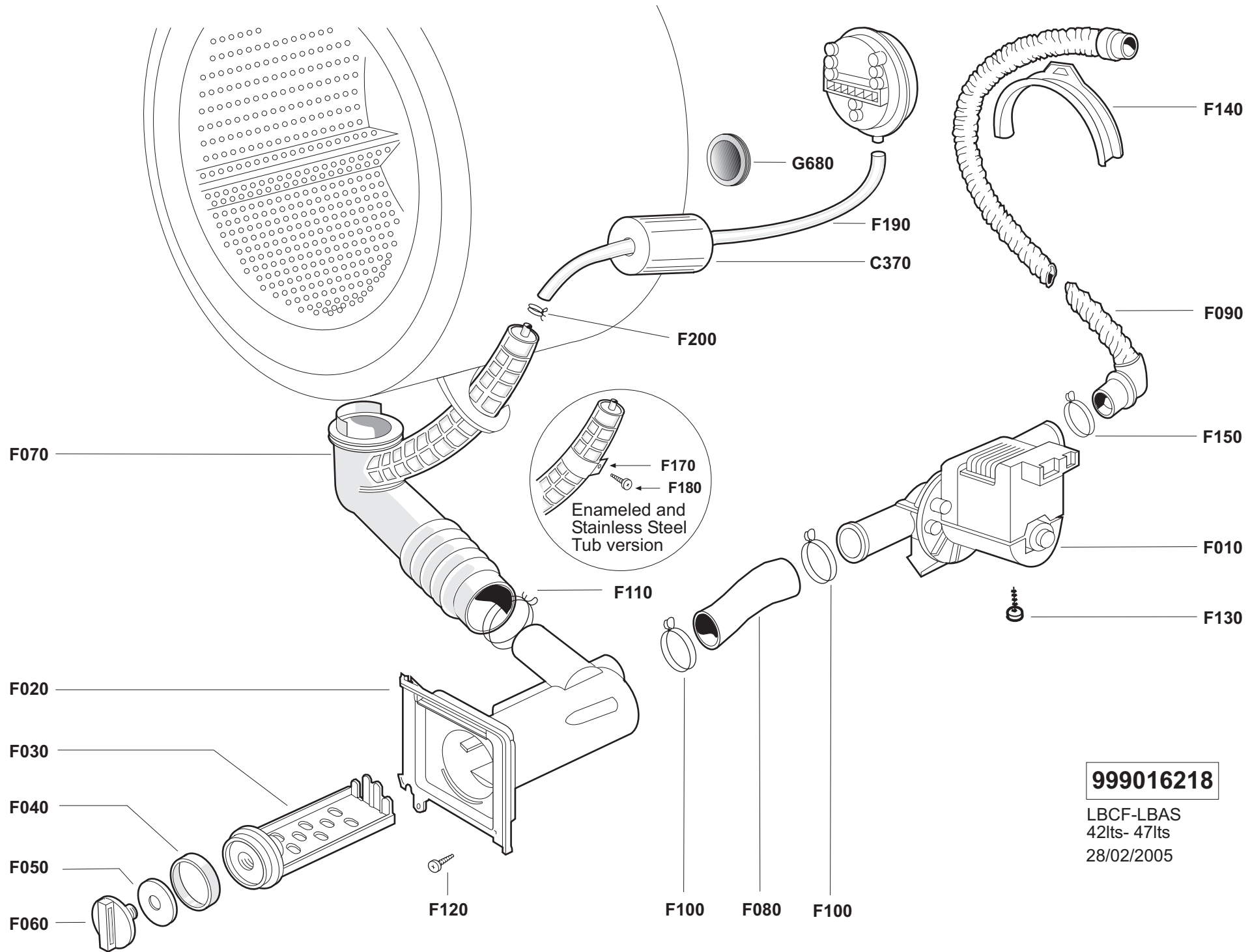
LBCF - STANDARD  
30/10/98



**999016214**

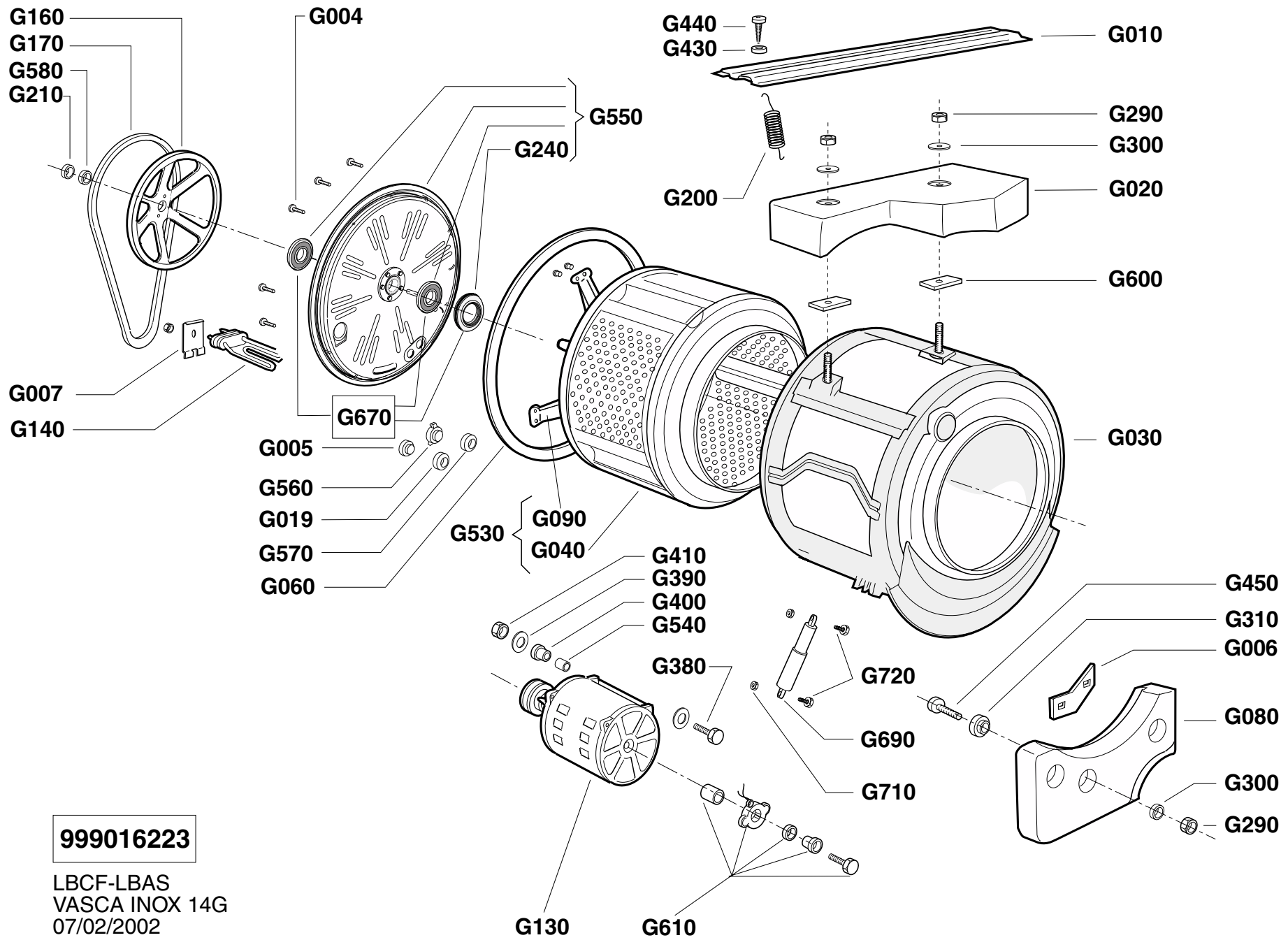
L.14A 30/10/98  
L.15A  
L.16  
L.19  
L.20  
L.22





**999016218**

LBCF-LBAS  
 42lts- 47lts  
 28/02/2005



**999016223**

LBCF-LBAS  
 VASCA INOX 14G  
 07/02/2002



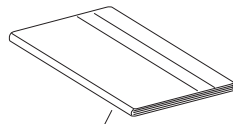
**999016228**

**SHRINK PACKING FREE-STANDING**

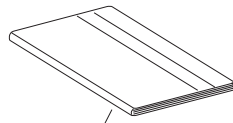
14/09/2006

Z290

Z310



**Z330**  
INSTRUCTIONS  
FOR USE

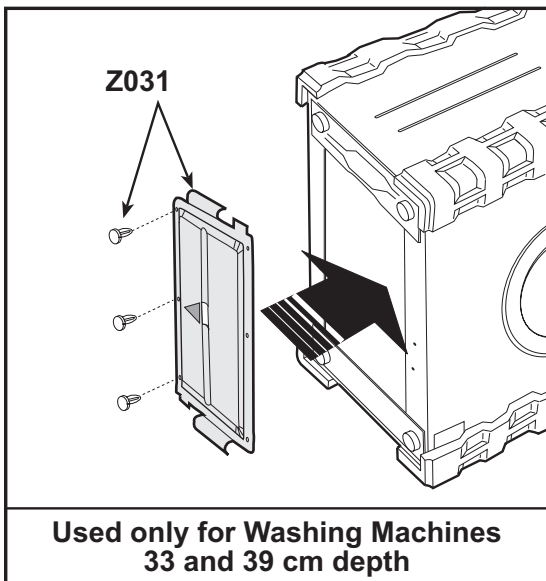


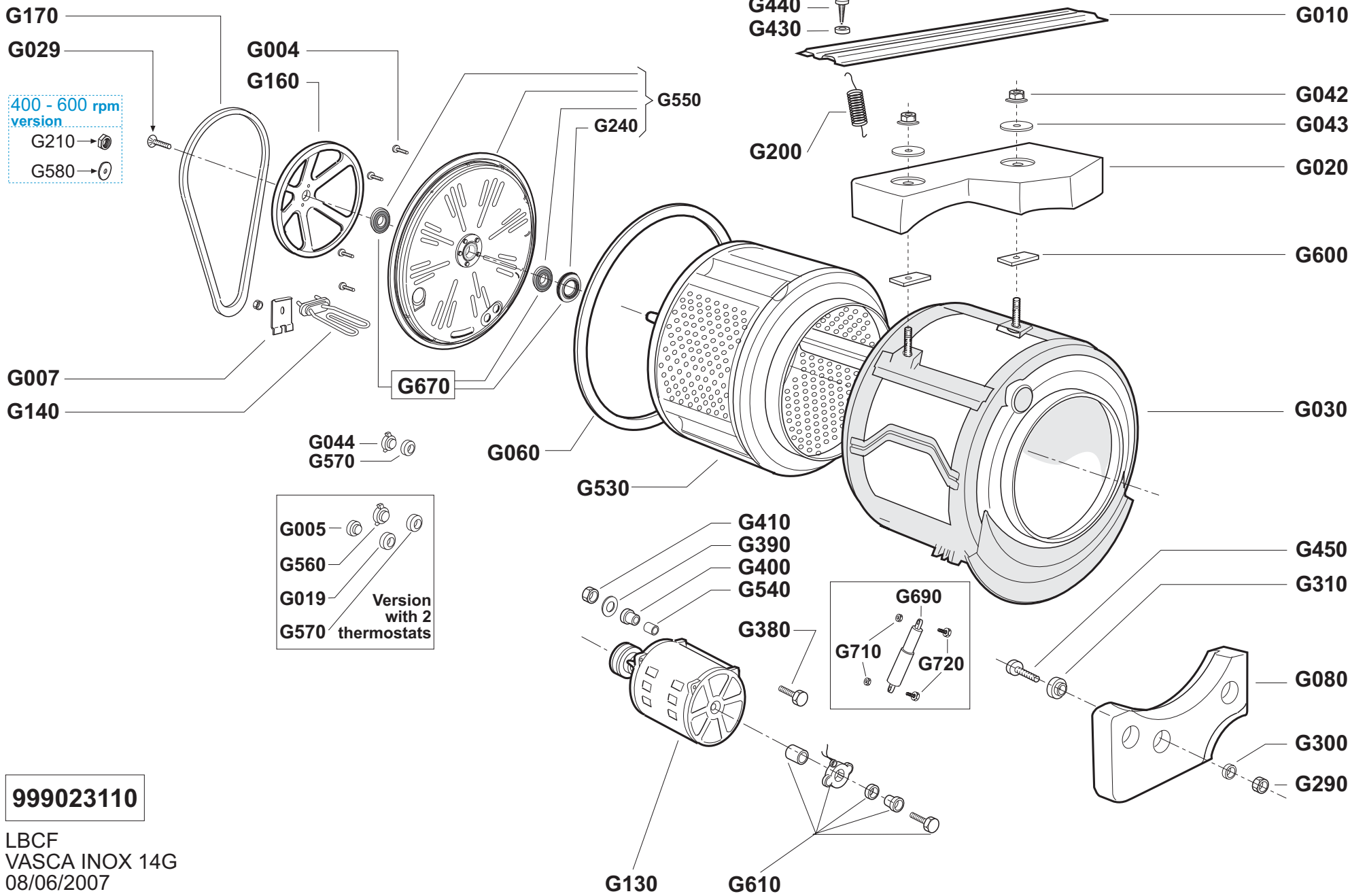
**Z025**  
TECHNICAL DATAS  
BOOKLET

Z300

Z024

Z280



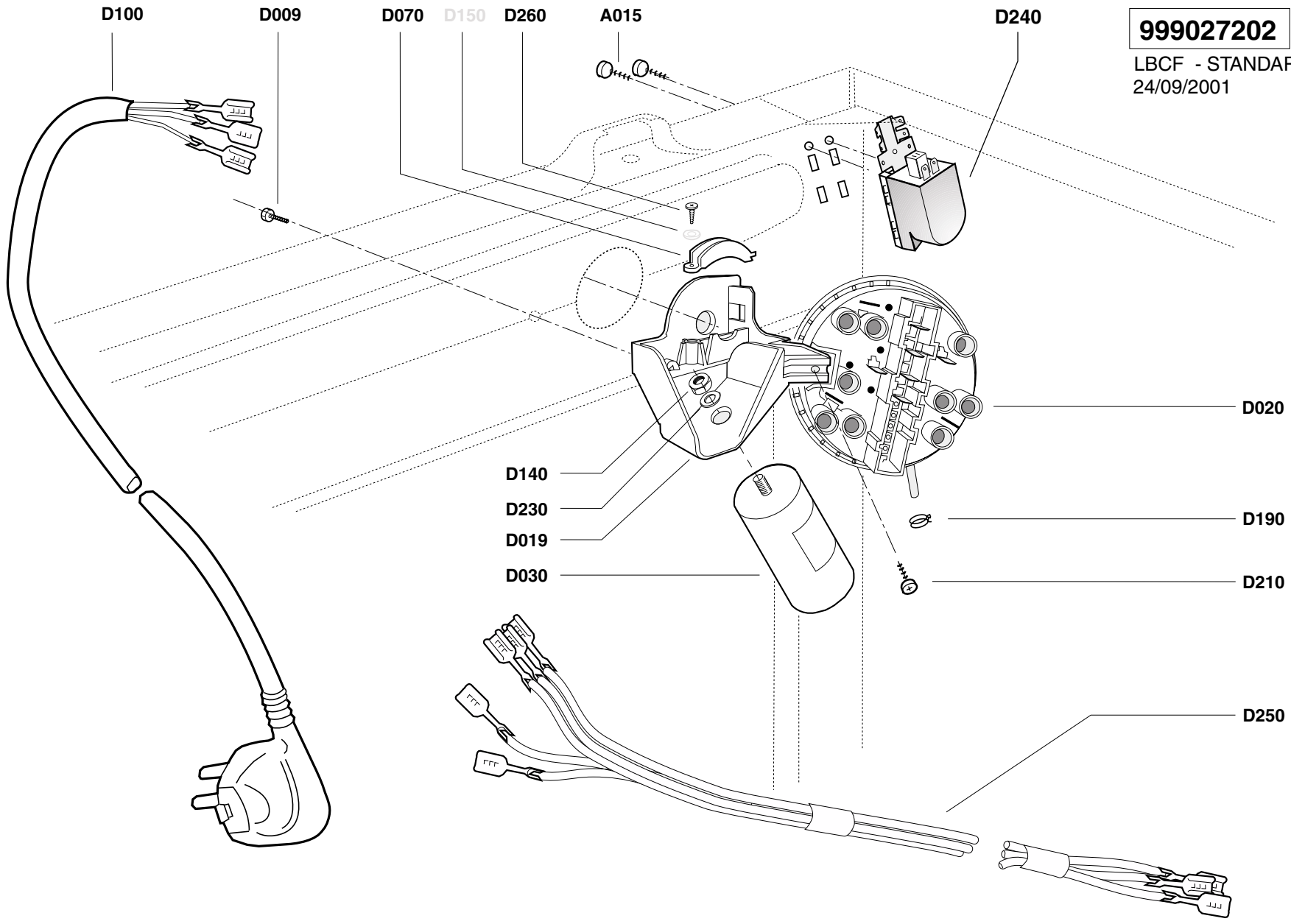


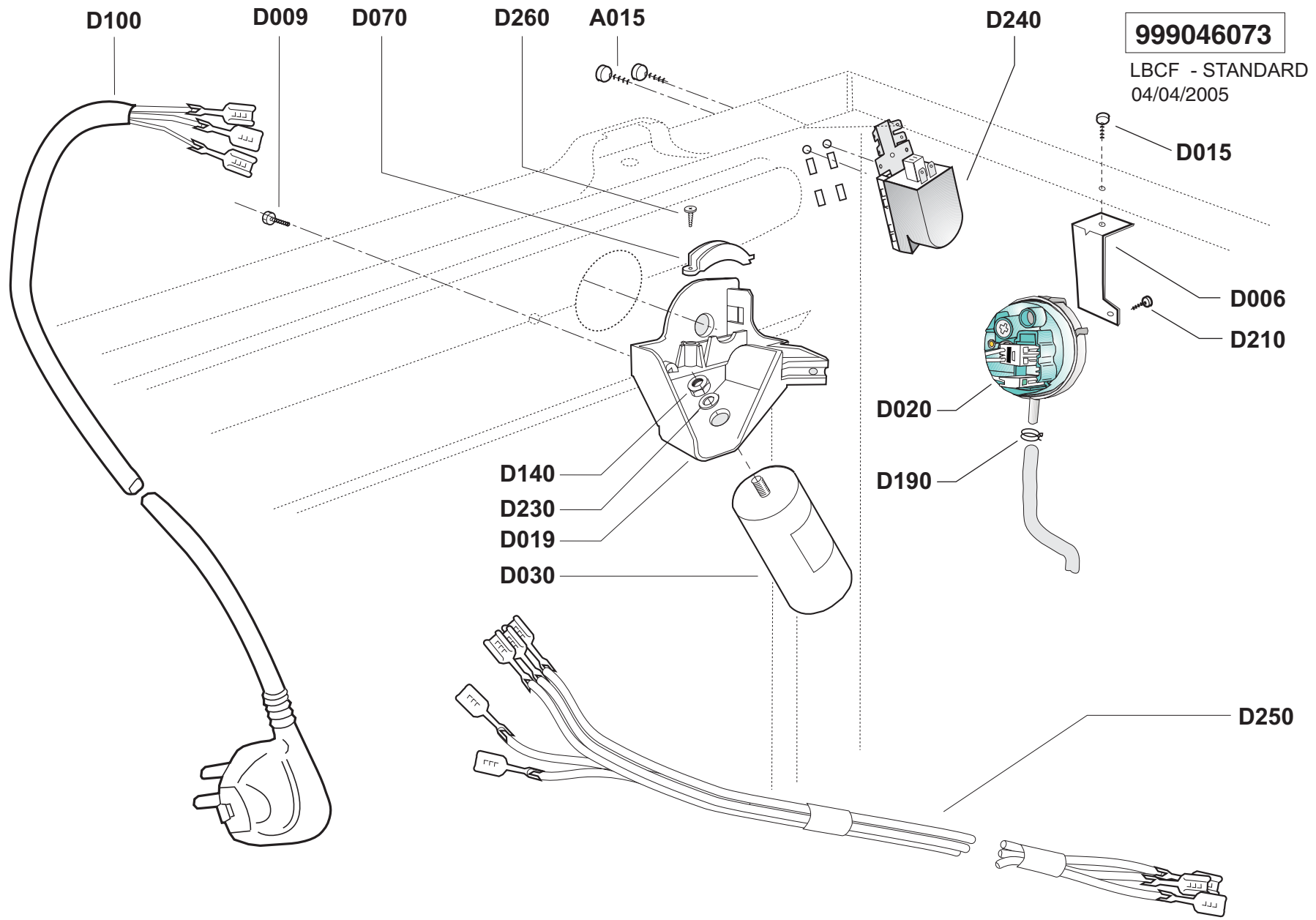
**999023110**

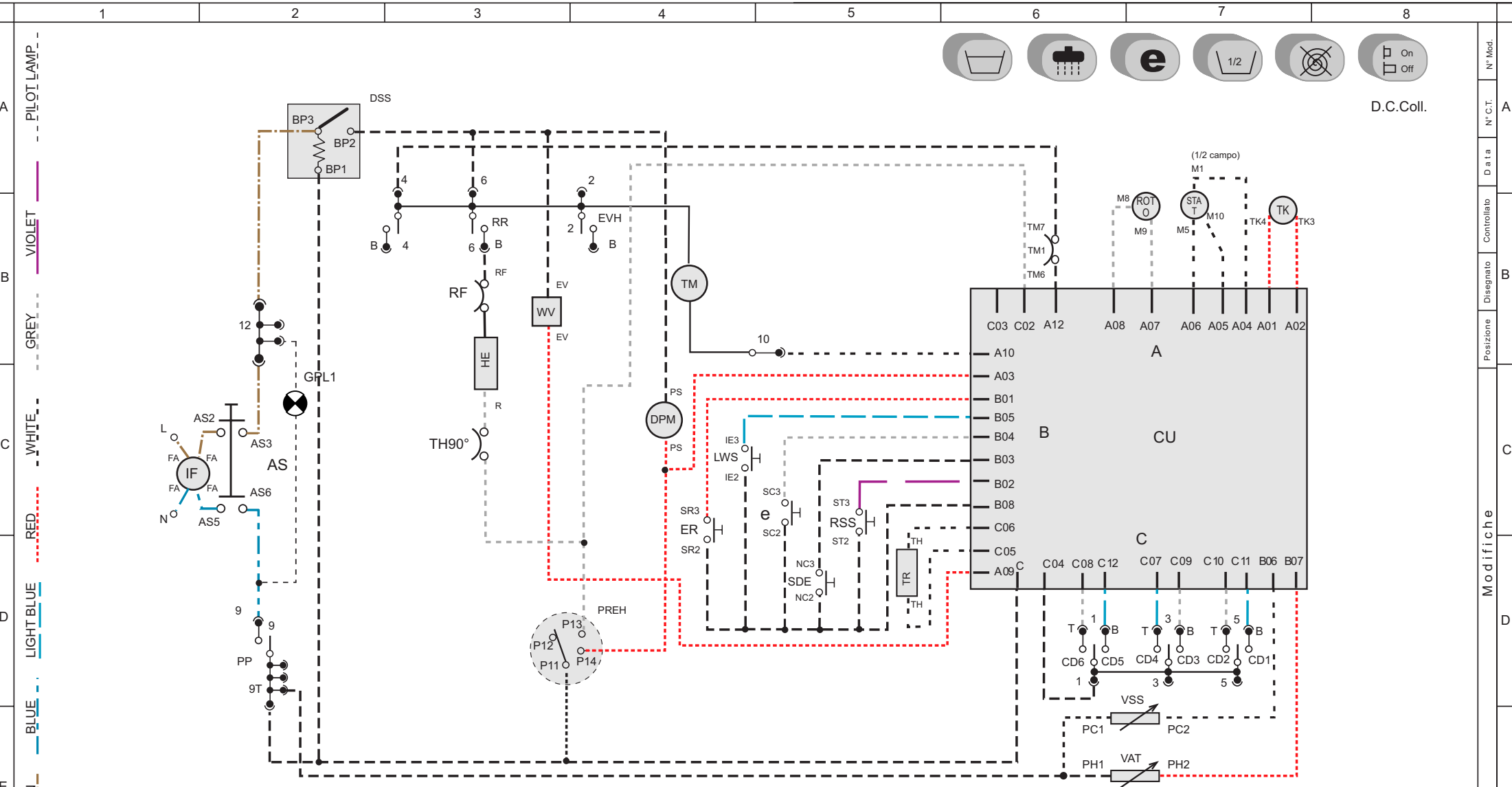
LBCF  
VASCA INOX 14G  
08/06/2007

**999027202**

LBCF - STANDARD  
24/09/2001



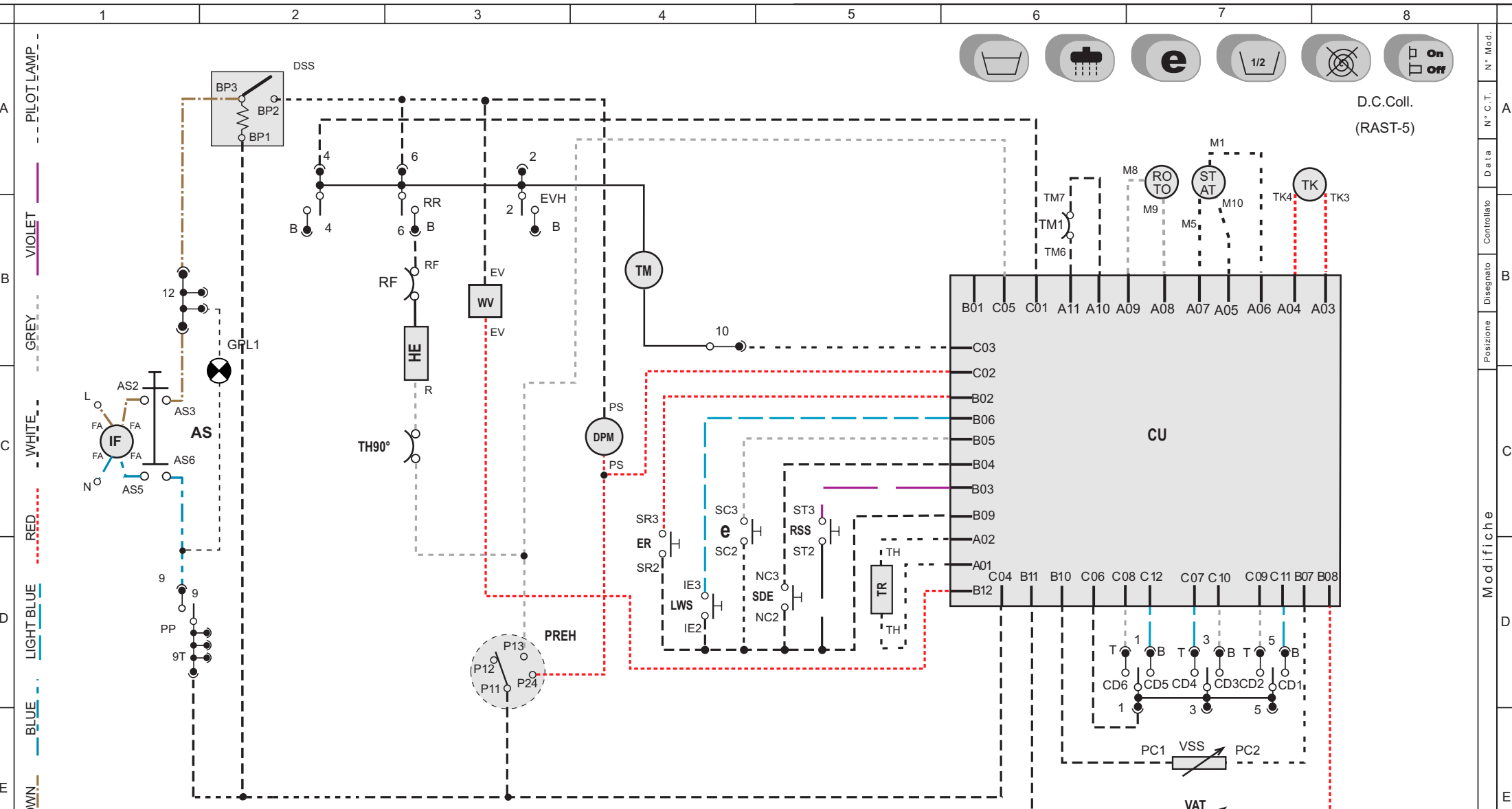




- |      |                       |                         |              |                         |                       |
|------|-----------------------|-------------------------|--------------|-------------------------|-----------------------|
| TM   | Motorino timer        | Timer motor             | WV           | Elettrovalvola          | Water valve           |
| EM   | Termostop             | Thermostop              | CC           | Condensatore centrifuga | Spin capacitor        |
| IF   | Filtro antidisturbo   | Interference filter     | CL           | Condensatore lavaggio   | Wash capacitor        |
| RSS  | Stop acqua in vasca   | Spin delay button       | HE           | Resistenza lavaggio     | Heating element       |
| SDE  | Esclusione centrifuga | No spin button          | RE           | Relè                    | Relay                 |
| LWS  | Mezzo carico          | Half load button        | AS           | Pulsante On - Off       | ON - OFF button       |
| e    | Energy saving         | Eco button              | ER           | Pulsante 4" Risciacquo  | Extra rinse button    |
| CWS  | Lavaggio a freddo     | Cold wash button        | TH(10°-90°C) | Termostato regolabile   | Adjustable thermostat |
| PRL  | Pressostato liv.basso | Low level pressostat    | TH           | Termostato fisso        | Fixed thermostat      |
| PRH  | Pressostato liv.alto  | High level pressostat   | M            | Motore                  | Main motor            |
| WVC  | Elettrovalvola fredda | Water valve (cold fill) | SM           | Motore centrifuga       | Spin-dry motor        |
| WVW  | Elettrovalvola calda  | Water valve (hot fill)  | WM           | Motore lavaggio         | Wash motor            |
| PREH | Pressostato           | Pressostat              | CU           | Modulo elettronico      | Control unit          |
| DSS  | Bloccoporta           | Micro delay switch      | Z            | Temporizzatore          | Drying timer          |
| DPM  | Elettropompa          | Drain pump motor        | GPL1         | Lampada spia            | Pilot lamp            |
| SL   | Super lavaggio        | Extra Washing Button    | GPL2         | Lampada oblò            | Door pilot lamp       |
| EC   | Energy saving         |                         | VA           | Mot. ventola asc        | Dryer motor           |
| VAT  | Potenzimetro temp.    | Variable temperature    | EVA          | Elettrov. asc.          | Dryer water valve     |
| VSS  | Potenzimetro cent.    | Variable spin speed     | MC           | Puls. alta/bassa vel.   | Low/High speed spin   |
| TR   | Termoresistenza       | Thermal resistivity     | ZM           | Motorino temporizzatore | Drying Timer motor    |
| TK   | Tachimetrica          | Tachometer              | DE           | Condensatore centrifuga | Drying element        |
| HL   | Pulsante alto livello | High level button       |              |                         |                       |

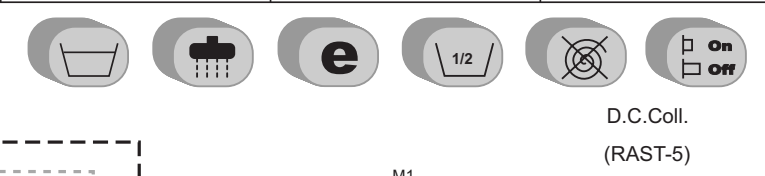
- MS: SALT MICRO SWITCH  
 MB: RINSE AID MICRO SWITCH  
 EVD: DETERGENT MAGN. VALVE  
 EVB: RINSE AID MAGN. VALVE  
 EVR: RESIN MAGN. VALVE  
 EVA: WATER MAGN. VALVE  
 PL: WASH MOTOR  
 PS: DRAIN PUMP  
 PS: DRAIN PUMP  
 TR: THERMISTOR  
 MP: DOOR MICRO-SWITCH  
 FL= FLUSSOMETER  
 P= PRESSURE SWITCH  
 Z: RFI FILTER  
 C: CAPACITOR

<b>Antonio Merloni</b> spa Denominazione CABLCF 6P 3M ABDFQS 1837-2 POTTH POTVE AF CF/DC COLL 230V 50Hz 1V.		UFFICIO TECNICO - via Dante, 284 Fabriano (AN) - Italy Tel. 0732/6901 - Telefax 0732/627880		Derivato <b>550046000</b>	
		Disegnato <b>Fava</b> Scala		Controllato N° C.T. <b>5350</b>	
Codice: <b>460603043</b>		Disegno: <b>D0079500</b>		Assieme <b>560046000</b>	
A termine di legge ci riserviamo la proprietà di questo con divieto di uso e riproduzione		Progetto: <b>0000</b>		Note 0301-99	



- TM** Motorino timer
  - EM** Termostop
  - IF** Filtro antisturbo
  - RSS** Stop acqua in vasca
  - SDE** Esclusione centrifuga
  - LWS** Mezzo carico
  - e** Energy saving
  - CWS** Lavaggio a freddo
  - PRL** Pressostato liv.basso
  - PRH** Pressostato liv.alto
  - WVC** Elettrovalvola fredda
  - WVV** Elettrovalvola calda
  - PREH** Pressostato
  - DSS** Bloccoporta
  - DPM** Elettropompa
  - SL** Super lavaggio
  - EC** Energy saving
  - VAT** Potenzimetro temp.
  - VSS** Potenzimetro cent.
  - TR** Termoresistenza
  - TK** Tachimetrica
- Timer motor**
  - Termostop**
  - Interference filter**
  - Spin delay button**
  - No spin button**
  - Half load button**
  - Eco button**
  - Cold wash button**
  - Low level pressostat**
  - High level pressostat**
  - Water valve (cold fill)**
  - Water valve (hot fill)**
  - Pressostat**
  - Micro delay switch**
  - Drain pump motor**
  - Super lavaggio**
  - Variable temperature**
  - Variable spin speed**
  - Thermal resistivity**
  - Tachometer**
- WV** Elettrovalvola
  - CC** Condensatore centrifuga
  - CL** Condensatore lavaggio
  - HE** Resistenza lavaggio
  - RE** Relé
  - AS** Pulsante On - Off
  - ER** Pulsante 4° Risciacquo
  - TH(10°-90°C)** Termostato regolabile
  - M** Termostato fisso
  - SM** Motore
  - WM** Motore centrifuga
  - M** Motore lavaggio
  - CU** Modulo elettronico
  - Z** Motorino timer
  - GPL1** Lampada spia
  - GPL2** Lampada oblo
  - VA** Mot. ventola asc
  - EVA** Elettrov. asc.
  - MC** Puls. alta/bassa vel.
  - ZM** Motorino temporizzatore
  - DE** Condensatore centrifuga
- Water valve**
  - Spin capacitor**
  - Wash capacitor**
  - Heating element**
  - Relay**
  - ON - OFF button**
  - Extra rinse button**
  - Klixon**
  - Main motor**
  - Spin-dry motor**
  - Wash motor**
  - Control unit**
  - Drying timer**
  - Pilot lamp**
  - Door pilot lamp**
  - Dryer motor**
  - Dryer water valve**
  - Low/High speed spin**
  - Drying timer motor**
  - Drying element**

- MS:** SALT MICRO SWITCH
- MB:** RINSE AID MICRO SWITCH
- EVD:** DETERGENT MAGN. VALVE
- EVB:** RINSE AID MAGN. VALVE
- EVR:** RESIN MAGN. VALVE
- EVA:** WATER MAGN. VALVE
- PL:** WASH MOTOR
- PS:** DRAIN PUMP
- TR:** THERMISTOR
- MP:** DOOR MICRO-SWITCH
- FL:** FLUSSOMETER
- P=** PRESSURE SWITCH
- Z:** RFI FILTER
- C:** CAPACITOR



D.C.Coll.  
(RAST-5)

<h2 style="margin: 0;">Antonio Merloni spa</h2> <p style="margin: 0;">Denominazione CABLCF 6P 3M ABDFQS 1837-02 POTTH POTVE AF CF-DC Collett. 230V 50Hz 2V. RAST-5</p>		UFFICIO TECNICO - via Dante, 284 Fabriano (AN) - Italy Tel. 0732/6901 - Telefax 0732/627880		<i>Derivato</i> <b>550049700</b>
		Disegnato: <b>Fava</b> Controllato: <b>15-10-99</b> Data:		<i>Assieme</i> <b>560049700</b>
Codice: <b>460604140</b>		Disegno: <b>D1003300</b>		
A termine di legge ci riserviamo la proprieta' di questo con divieto di uso e riproduzione				Progetto: 0 0 0



**Ersatzteilliste**


---

**Maschine**      010141015      LBCF NOAU 14C60XC EUROTECH EW1470-1 A 230V 50HZ
 

---

<i>Ersatzt.</i>	<i>Pos.Expl.</i>	<i>Beschreib.</i>	<i>Laufzeit</i>		<i>Men</i>
398092700	CFA008	HAKEN HALTERUNG SCHLAUCH ELEKTROVENTIL	01/01/1900	31/12/4999	1
710040501	CFA010	GEHAEUSE	01/01/1900	31/12/4999	1
398034000	CFA011	SENKEL HAKEN VERKABELUNG	01/01/1900	31/12/4999	5
432028100	CFA015	FESTSTELLSCHRAUBE ENTSTOERER	30/07/2001	24/03/2002	2
432004600	CFA015	FESTSTELLSCHRAUBE ENTSTOERER	24/03/2002	03/11/2002	2
432004600	CFA015	FESTSTELLSCHRAUBE ENTSTOERER	30/07/2001	24/03/2002	2
432004600	CFA015	FESTSTELLSCHRAUBE ENTSTOERER	03/11/2002	02/02/2004	2
432028100	CFA015	FESTSTELLSCHRAUBE ENTSTOERER	02/02/2004	31/12/4999	2
432028100	CFA015	FESTSTELLSCHRAUBE ENTSTOERER	24/03/2002	03/11/2002	2
432018900	CFA015	FESTSTELLSCHRAUBE ENTSTOERER	01/01/1900	30/07/2001	2
398114700	CFA016	SCHLAUCHBEFESTIGER ZUFLUSS-ABFLUSS WASSER GESCHLOSSEN	01/01/1900	31/12/4999	2
398027000	CFA017	SCHLAUCHBEFESTIGER ZUFLUSS-ABFLUSS WASSER OFFE	01/01/1900	31/12/4999	1
812108300	CFA020	OBERER DECKEL	01/01/1900	31/12/4999	1
276002301	CFA030	RUCKWARTIGER DECKEL	01/01/1900	31/12/4999	1
398108000	CFA039	CLIP DRAHTFIXIERUNG MAGNETVENTIL	01/01/1900	31/12/4999	2
246009900	CFA040	SCHARNIER	03/03/2003	03/04/2005	1
246021500	CFA040	SCHARNIER	17/05/1996	03/03/2003	1

&lt;CONTINUE ...&gt;



## Ersatzteilliste

---

**Maschine** 010141015 LBCF NOAU 14C60XC EUROTECH EW1470-1 A 230V 50HZ
 

---

<i>Ersatzt.</i>	<i>Pos.Expl.</i>	<i>Beschreib.</i>	<i>Laufzeit</i>		<i>Men</i>
246009900	CFA040	SCHARNIER	17/05/1996	03/03/2003	1
246021500	CFA040	SCHARNIER	03/04/2005	31/12/4999	1
246005100	CFA040	SCHARNIER	01/01/1900	17/05/1996	1
720168500	CFA050	FUSS REGULIERBAR	01/01/1900	31/12/4999	4
432028400	CFA070	SCHRAUBE FUER OBEREN DECKEL	28/04/2003	31/12/4999	2
432004900	CFA070	SCHRAUBE FUER OBEREN DECKEL	01/01/1900	28/04/2003	2
432004600	CFA080	SCHRAUBE FUER RUECKWARTIGEN DECKEL	01/01/1900	21/10/2001	6
432028100	CFA080	SCHRAUBE FUER RUECKWARTIGEN DECKEL	21/10/2001	31/12/4999	8
432004700	CFA090	SCHRAUBE FUER RUECKWARTIGEN+U-SCHEIBE	01/01/1900	21/10/2001	2
398091100	CFA100	HALTER FUER VERKABELUNG OBEN	01/01/1900	31/12/4999	1
398078000	CFA130	SCHLAUCHHALTERUNG EINLAUF/ABLAUF	01/01/1900	02/02/1998	2
398092800	CFA140	FILTERKLAPPE	01/01/1900	31/12/4999	1
368008800	CFA200	KARTENBEHALTER	01/01/1900	19/09/1996	1
368016200	CFA200	KARTENBEHALTER	19/09/1996	31/12/4999	1
546016700	CFA210	ELEKTRONIK-MODUL	01/01/1900	02/11/1999	1
546021700	CFA210	ELEKTRONIK-MODUL	27/11/2000	21/09/2003	1
546019900	CFA210	ELEKTRONIK-MODUL	02/11/1999	21/12/1999	1

&lt;CONTINUE ...&gt;

## Ersatzteilliste

---

**Maschine** 010141015 LBCF NOAU 14C60XC EUROTECH EW1470-1 A 230V 50HZ
 

---

<i>Ersatz.</i>	<i>Pos.Expl.</i>	<i>Beschreib.</i>	<i>Laufzeit</i>		<i>Men</i>
546019900	CFA210	ELEKTRONIK-MODUL	25/05/2000	27/11/2000	1
546016700	CFA210	ELEKTRONIK-MODUL	21/12/1999	25/05/2000	1
546060100	CFA210	ELEKTRONIK-MODUL	21/09/2003	31/12/4999	1
432028400	CFA220	BEFESTIGUNGSSCHRAUBE F.KARTENBEHALTER	02/02/2004	31/12/4999	2
432004900	CFA220	BEFESTIGUNGSSCHRAUBE F.KARTENBEHALTER	19/03/2003	02/02/2004	2
432004600	CFA220	BEFESTIGUNGSSCHRAUBE F.KARTENBEHALTER	01/01/1900	11/06/1997	2
432009400	CFA220	BEFESTIGUNGSSCHRAUBE F.KARTENBEHALTER	11/06/1997	19/03/2003	2
438001800	CFA240	NIETE F.SICHTFENSTERSCHARNIER	01/01/1900	31/12/4999	4
720039600	CFA320	MODULTRAGER-GEHAUSEINHEIT	01/01/1900	31/12/4999	1
330029000	CFA330	GEHAUSEDECKEL FUR MODULTRAGER	01/01/1900	19/09/1996	1
330057700	CFA330	GEHAUSEDECKEL FUR MODULTRAGER	19/09/1996	26/10/2000	1
432009400	CFB002	FESTSTELLSCHRAUBE POTENTIOMETER	04/06/1998	16/04/1999	4
430008300	CFB002	FESTSTELLSCHRAUBE POTENTIOMETER	01/01/1900	04/06/1998	4
432024000	CFB002	FESTSTELLSCHRAUBE POTENTIOMETER	16/04/1999	31/12/4999	4
502004801	CFB003	POTENTIOMETER	01/01/1900	29/03/1999	2
502005800	CFB003	POTENTIOMETER	29/03/1999	17/07/2005	2
502050000	CFB003	POTENTIOMETER	17/07/2005	31/12/4999	2

&lt;CONTINUE ...&gt;

## Ersatzteilliste

---

**Maschine** 010141015 LBCF NOAU 14C60XC EUROTECH EW1470-1 A 230V 50HZ
 

---

<i>Ersatz.</i>	<i>Pos.Expl.</i>	<i>Beschreib.</i>	<i>Laufzeit</i>		<i>Men</i>
436004500	CFB005	RADIALRING	01/01/1900	29/04/2003	1
441015000	CFB006	BUCHSE SPERRE TIMER	01/01/1900	29/04/2003	1
804455000	CFB010	BLENDRAHMEN	01/01/1900	31/12/4999	1
268014900	CFB012	SCHUTZ TIMER-VORDERSEITE	01/01/1900	31/12/4999	1
516020802	CFB020	TIMER	29/04/2003	31/12/4999	1
516020802	CFB020	TIMER	01/01/1900	21/12/1999	1
516010300	CFB020	TIMER	01/01/1900	21/12/1999	1
516010300	CFB020	TIMER	21/12/1999	29/04/2003	1
522005101	CFB040	DRUCK KNOPFTAFEL	21/12/1999	25/05/2000	5
522005101	CFB040	DRUCK KNOPFTAFEL	25/05/2000	03/05/2001	5
522005000	CFB040	DRUCK KNOPFTAFEL	03/05/2001	31/12/4999	1
522005000	CFB040	DRUCK KNOPFTAFEL	21/12/1999	25/05/2000	1
522005000	CFB040	DRUCK KNOPFTAFEL	02/11/1999	21/12/1999	1
522005000	CFB040	DRUCK KNOPFTAFEL	01/01/1900	02/11/1999	1
522005001	CFB040	DRUCK KNOPFTAFEL	01/01/1900	02/11/1999	1
522005001	CFB040	DRUCK KNOPFTAFEL	02/11/1999	21/12/1999	1
522005101	CFB040	DRUCK KNOPFTAFEL	02/11/1999	21/12/1999	5

&lt;CONTINUE ...&gt;

**Ersatzteilliste**


---

**Maschine**      010141015      LBCF NOAU 14C60XC EUROTECH EW1470-1 A 230V 50HZ
 

---

<i>Ersatz.</i>	<i>Pos.Expl.</i>	<i>Beschreib.</i>	<i>Laufzeit</i>		<i>Men</i>
522005001	CFB040	DRUCK KNOPFTAFEL	21/12/1999	25/05/2000	1
522005100	CFB040	DRUCK KNOPFTAFEL	03/05/2001	31/12/4999	5
522005100	CFB040	DRUCK KNOPFTAFEL	21/12/1999	25/05/2000	5
522005100	CFB040	DRUCK KNOPFTAFEL	02/11/1999	21/12/1999	5
522005100	CFB040	DRUCK KNOPFTAFEL	01/01/1900	02/11/1999	5
522005101	CFB040	DRUCK KNOPFTAFEL	01/01/1900	02/11/1999	5
522005001	CFB040	DRUCK KNOPFTAFEL	25/05/2000	03/05/2001	1
326065100	CFB050	TIMERKNOPF MIT NOCKEN FUER WASSERVERTEILER	01/01/1900	31/12/4999	1
326065400	CFB070	DECKEL F.TIMERKNOPF	01/01/1900	31/12/4999	1
326065300	CFB080	THERMOSTATKNOPF	01/01/1900	31/12/4999	2
540002900	CFB100	KONTROLLAMPE	02/11/1999	21/12/1999	1
540002800	CFB100	KONTROLLAMPE	01/01/1900	02/11/1999	1
540002900	CFB100	KONTROLLAMPE	25/05/2000	31/12/4999	1
540002800	CFB100	KONTROLLAMPE	21/12/1999	25/05/2000	1
430018300	CFB120	SCHRAUBE FUER TIMER	20/11/1997	31/12/4999	2
430011500	CFB120	SCHRAUBE FUER TIMER	01/01/1900	20/11/1997	2
436000100	CFB130	UNTERLEGSCHIEBE FUER TIMER	01/01/1900	04/02/1998	1

**Ersatzteilliste**


---

**Maschine**      010141015      LBCF NOAU 14C60XC EUROTECH EW1470-1 A 230V 50HZ
 

---

<i>Ersatz.</i>	<i>Pos.Expl.</i>	<i>Beschreib.</i>	<i>Laufzeit</i>		<i>Men</i>
434000700	CFB140	MUTTER FUER TIMER	01/01/1900	31/12/4999	1
444005700	CFB210	FEDER FUER THERMOSTATKNOPF	01/01/1900	31/12/4999	2
336005700	CFB220	ANZEIGE FUER THERMOSTAT/TIMER-KNOPF	01/01/1900	31/12/4999	3
330058000	CFB230	PLATTE FUER TIMERKNOPF	01/01/1900	31/12/4999	1
326065500	CFB240	PLATTE FUER THERMOSTATKNOPF	01/01/1900	31/12/4999	2
346010300	CFB250	KONTROLLAMPENGLAS	01/01/1900	31/12/4999	1
332026600	CFB260	DRUCKTASTE	01/01/1900	31/12/4999	6
432028100	CFB290	SCHRAUBE Z.BEFESTIGUNG D.BLENDE	12/04/2006	31/12/4999	4
432010000	CFB290	SCHRAUBE Z.BEFESTIGUNG D.BLENDE	29/03/2005	12/04/2006	4
432004600	CFB290	SCHRAUBE Z.BEFESTIGUNG D.BLENDE	01/01/1900	29/03/2005	4
428001600	CFB500	DISTANZSTUCK F.TIMER-FRONTBLENDE	01/01/1900	31/12/4999	1
444003300	CFB560	ZEITREGLER-THERMOSTAT/TIM-DREHKNOPFFEDER	01/01/1900	31/12/4999	6
330057900	CFB630	THERMOST./ZEITREGLER-ZENTRALGEHAUSEDREHKNOPF	01/01/1900	31/12/4999	2
728002200	CFC010	WASCHMITTEL-BEHALTER	01/01/1900	31/12/4999	1
720397200	CFC013	DECKEL REINIGUNGSMITTELBECKEN	18/05/2003	31/12/4999	1
720109700	CFC013	DECKEL REINIGUNGSMITTELBECKEN	01/01/1900	18/05/2003	1
330049100	CFC020	WASCHMITTEL-DECKEL-BEHALTER	01/01/1900	18/05/2003	1

**Ersatzteilliste**


---

**Maschine**      010141015      LBCF NOAU 14C60XC EUROTECH EW1470-1 A 230V 50HZ
 

---

<i>Ersatz.</i>	<i>Pos.Expl.</i>	<i>Beschreib.</i>	<i>Laufzeit</i>		<i>Men</i>
330105400	CFC020	WASCHMITTEL-DECKEL-BEHALTER	18/05/2003	31/12/4999	1
398075800	CFC030	WASCHMITTELBEHAELTER	01/01/1900	31/12/4999	1
322031400	CFC040	HANDGRIFF FUER WASCHMIT.	01/01/1900	31/12/4999	1
398075900	CFC041	UMLENKVORR. FUER WASCHMITTELKAMMER	01/01/1900	31/12/4999	1
398076000	CFC050	GITTER EINSPUELKAMMER WEICHSPUELER	01/01/1900	31/12/4999	1
402042400	CFC060	MUFFE WASCHMITTEL EINSPUELUNG	27/08/2003	31/12/4999	1
402009400	CFC060	MUFFE WASCHMITTEL EINSPUELUNG	01/01/1900	27/08/2003	1
414001400	CFC070	ZUFUHRUNGSSCHLAUCH	01/01/1900	11/07/1996	1
414008100	CFC070	ZUFUHRUNGSSCHLAUCH	08/09/1996	31/12/4999	1
414007800	CFC070	ZUFUHRUNGSSCHLAUCH	11/07/1996	08/09/1996	1
444001800	CFC090	FEDER FUER WASCHMITTELBEHALTER	01/01/1900	31/12/4999	1
440000600	CFC140	MUFFENSCHELLE F. WASCHMITEINSPULUNG	01/01/1900	31/12/4999	1
432008800	CFC150	SCHRAUBE FUER WASCHMITTELBEHALTER	10/11/2003	18/11/2003	3
432008800	CFC150	SCHRAUBE FUER WASCHMITTELBEHALTER	01/01/1900	10/11/2003	3
432031200	CFC150	SCHRAUBE FUER WASCHMITTELBEHALTER	01/01/1900	10/11/2003	3
432031200	CFC150	SCHRAUBE FUER WASCHMITTELBEHALTER	18/11/2003	31/12/4999	3
432010600	CFC160	SCHRAUBE FUER WASCHMITTELHANDGRIFF	01/01/1900	31/12/4999	4

**Ersatzteilliste**


---

**Maschine**      010141015      LBCF NOAU 14C60XC EUROTECH EW1470-1 A 230V 50HZ
 

---

<i>Ersatzt.</i>	<i>Pos.Expl.</i>	<i>Beschreib.</i>	<i>Laufzeit</i>		<i>Men</i>
398117300	CFC170	AUTOM.WASSERVERTEILER	20/04/1998	31/12/4999	1
398022200	CFC170	AUTOM.WASSERVERTEILER	01/01/1900	20/04/1998	2
499002200	CFC180	STEUERUNGSHABEL FUER WASSER-VERTEILER	01/01/1900	31/12/4999	1
442001400	CFC200	STANGE FUER WASSERVERTEILER	01/01/1900	31/12/4999	1
499001500	CFC210	UMLENKHEBEL	01/01/1900	31/12/4999	1
398017000	CFC220	ANSCHLAGLEISTE FUER HEBEL	01/01/1900	31/12/4999	1
444000700	CFC230	RUCKZUG FUER WASSERVERTEILER-STANGE	01/01/1900	31/12/4999	1
432001100	CFC240	SCHRAUBE FUER ANSCHLAG D.UMLENKHEBELS	01/01/1900	31/12/4999	3
330058100	CFC310	DECKEL FUER HANDGRIFF	01/01/1900	31/12/4999	1
444009100	CFC330	RUECKZUGFEDER F.DECKEL D.GRIFFES	01/01/1900	31/12/4999	1
398076100	CFC340	BEHALTER F.FLUSSIGWASCHMITTEL	01/01/1900	31/12/4999	1
350003200	CFC350	ABLAUF D.FLUSSIGWASCHMITTEL-BEHALTERS	01/01/1900	31/12/4999	1
720091300	CFC360	FLUSSIGWASCHMITTEL-BEHALTER-SET	01/01/1900	31/12/4999	1
407001700	CFC370	SCHAUMSTOFFSCHUTZ FUR SCHLAUCH	01/01/1900	31/12/4999	1
256014000	CFD006	HALTEBUEGEL DRUCKWAECHTER	01/01/1900	31/12/4999	1
432004900	CFD009	FESTSTELLSCHRAUBE KLEMMENBRETT BEIM MOEBEL	01/01/1900	02/02/2004	2
432028400	CFD009	FESTSTELLSCHRAUBE KLEMMENBRETT BEIM MOEBEL	02/02/2004	31/12/4999	1

&lt;CONTINUE ...&gt;

**Ersatzteilliste**


---

**Maschine** 010141015 LBCF NOAU 14C60XC EUROTECH EW1470-1 A 230V 50HZ
 

---

<i>Ersatz.</i>	<i>Pos.Expl.</i>	<i>Beschreib.</i>	<i>Laufzeit</i>		<i>Men</i>
534002700	CFD010	ELEKTROVENTIL	01/01/1900	13/04/2000	1
534010100	CFD010	ELEKTROVENTIL	13/04/2000	31/12/4999	1
432028100	CFD015	FESTSTELLSCHRAUBE BUEGEL DRUCKWAECHTER	02/02/2004	31/12/4999	1
432004600	CFD015	FESTSTELLSCHRAUBE BUEGEL DRUCKWAECHTER	01/01/1900	02/02/2004	1
398149600	CFD019	KABELDURCHGANG UND DRUCKWAECHTERHALTERUNG	01/01/1900	31/12/4999	1
520000400	CFD020	DRUCKWACHTER	01/01/1900	31/12/4999	1
408000300	CFD040	SCHLAUCHZULAUF	01/01/1900	31/12/4999	1
402009100	CFD050	DICHTUNG FUER ZULAUFSCHLAUCH	01/01/1900	31/12/4999	1
542000500	CFD060	KLEMMENBRETT	01/01/1900	13/04/2000	1
398019300	CFD070	KABELKLEMME	01/01/1900	31/12/4999	1
508015100	CFD100	NETZANSCHLUSSKABEL	13/04/2000	31/12/4999	1
508000200	CFD100	NETZANSCHLUSSKABEL	01/01/1900	13/04/2000	1
436000200	CFD150	U-SCHEIBE F.KLEMMENBRETTSTUTZE	01/01/1900	28/09/2000	2
440000200	CFD200	ELEKTROVENTIL KLEMME	01/01/1900	31/12/4999	4
432003500	CFD210	SCHRAUBE FUER DRUCKWACHTER	01/01/1900	28/06/1996	1
432018900	CFD210	SCHRAUBE FUER DRUCKWACHTER	28/06/1996	31/12/4999	1
432028100	CFD220	SCHRAUBE FUER ELEKTROVEN.	02/02/2004	31/12/4999	2



**Ersatzteilliste**


---

**Maschine**      010141015      LBCF NOAU 14C60XC EUROTECH EW1470-1 A 230V 50HZ
 

---

<i>Ersatzt.</i>	<i>Pos.Expl.</i>	<i>Beschreib.</i>	<i>Laufzeit</i>		<i>Men</i>
432004600	CFD220	SCHRAUBE FUER ELEKTROVEN.	12/12/2002	02/02/2004	2
430015500	CFD220	SCHRAUBE FUER ELEKTROVEN.	01/01/1900	12/12/2002	2
998033200	CFD240	ENTSTOERFILTER	24/03/2002	12/09/2006	1
532000300	CFD240	ENTSTOERFILTER	15/11/1999	13/04/2000	1
532003700	CFD240	ENTSTOERFILTER	25/05/2000	24/03/2002	1
532003700	CFD240	ENTSTOERFILTER	12/09/2006	31/12/4999	1
532004200	CFD240	ENTSTOERFILTER	01/01/1900	15/11/1999	1
532004200	CFD240	ENTSTOERFILTER	13/04/2000	25/05/2000	1
550046000	CFD250	VERKABELUNG	01/01/1900	02/11/1999	1
550049700	CFD250	VERKABELUNG	25/05/2000	31/12/4999	1
550049700	CFD250	VERKABELUNG	02/11/1999	21/12/1999	1
550046000	CFD250	VERKABELUNG	21/12/1999	25/05/2000	1
432003900	CFD260	KABELHALTER-SCHRAUBE	01/01/1900	28/09/2000	2
432026100	CFD260	KABELHALTER-SCHRAUBE	28/09/2000	31/12/4999	1
402003900	CFD280	FILTERDICHTUNG F.ZULAUFSCHLAUCH	01/01/1900	25/02/2007	1
414005100	CFD370	FILTER-AIR-BREAK-GEHAUSESCHLAUCH	01/01/1900	31/12/4999	1
432012600	CFE002	SCHRAUBE ZUR FIXIERUNG TUERVERRIEGELUNG AN MOEB01/01/1900	31/12/4999		2

&lt;CONTINUE ...&gt;

**Ersatzteilliste**


---

**Maschine** 010141015 LBCF NOAU 14C60XC EUROTECH EW1470-1 A 230V 50HZ
 

---

<i>Ersatz.</i>	<i>Pos.Expl.</i>	<i>Beschreib.</i>	<i>Laufzeit</i>		<i>Men</i>
441006200	CFE010	RING MIT SCHRAUBE FUER BALGENDICHTUNG	01/01/1900	31/12/4999	1
404001000	CFE020	FENSTERMANSCHETTE	01/01/1900	31/12/4999	1
441006300	CFE030	SPANNRING FUER FENSTERMANSCHETTE	01/01/1900	31/12/4999	1
493001600	CFE040	SICHTFENSTERGLAS	01/01/1900	13/03/2001	1
493065100	CFE040	SICHTFENSTERGLAS	13/03/2001	31/12/4999	1
338002500	CFE050	SICHTFENSTER RAHMEN	01/01/1900	31/12/4999	1
530001500	CFE060	TUERSCHALTER	03/03/2003	31/12/4999	1
530001500	CFE060	TUERSCHALTER	01/01/1900	21/12/1999	1
530000100	CFE060	TUERSCHALTER	21/12/1999	03/03/2003	1
398061900	CFE070	PLAETTCHEN FUER KLINKE	01/01/1900	03/03/2003	1
324001900	CFE080	SICHTFENSTERGRIFF	01/01/1900	31/12/4999	1
719004100	CFE090	SET-SICHTFENSTERGRIFF	01/01/1900	31/12/4999	1
432010900	CFE100	SCHRAUBE F.SICHTFENSTERGLAS	01/01/1900	18/07/1995	6
432003400	CFE100	SCHRAUBE F.SICHTFENSTERGLAS	18/07/1995	31/12/4999	6
398061800	CFE110	HALTER FUER SICHTFENSTERGLAS	14/03/1996	31/12/4999	6
266006300	CFE110	HALTER FUER SICHTFENSTERGLAS	18/07/1995	14/03/1996	6
398061800	CFE110	HALTER FUER SICHTFENSTERGLAS	01/01/1900	18/07/1995	6

&lt;CONTINUE ...&gt;

**Ersatzteilliste**


---

**Maschine** 010141015 LBCF NOAU 14C60XC EUROTECH EW1470-1 A 230V 50HZ
 

---

<i>Ersatz.</i>	<i>Pos.Expl.</i>	<i>Beschreib.</i>	<i>Laufzeit</i>		<i>Men</i>
432005100	CFE120	SCHRAUBE FUER SCHARNIER D.SICHTFENSTERS	03/04/2005	31/12/4999	3
432013400	CFE120	SCHRAUBE FUER SCHARNIER D.SICHTFENSTERS	03/03/2003	03/04/2005	3
432005100	CFE120	SCHRAUBE FUER SCHARNIER D.SICHTFENSTERS	01/01/1900	03/03/2003	3
432004800	CFE150	SCHRAUBE F.RUCKZUGFEDER D.KLINKE	03/03/2003	02/02/2004	4
432004800	CFE150	SCHRAUBE F.RUCKZUGFEDER D.KLINKE	01/01/1900	03/03/2003	2
432032200	CFE150	SCHRAUBE F.RUCKZUGFEDER D.KLINKE	01/01/1900	03/03/2003	2
432032200	CFE150	SCHRAUBE F.RUCKZUGFEDER D.KLINKE	02/02/2004	31/12/4999	2
444008600	CFE160	RUCKZUGFEDER F.KLINKE	16/02/1999	31/12/4999	1
444004000	CFE160	RUCKZUGFEDER F.KLINKE	01/01/1900	16/02/1999	1
432009400	CFE190	SCHRAUBE F.TURHAKENPLATTE	01/01/1900	03/03/2003	2
443004800	CFE200	STIFT FUER TUERVERSCHLUSSHAKEN	01/01/1900	31/12/4999	1
398245600	CFE210	TURVERSCHLUSSHAKEN	01/01/1900	31/12/4999	1
398062000	CFE220	EINSATZSTUECK FUR TURVERSCHLUSSHAKEN	01/01/1900	31/12/4999	1
444008500	CFE230	FEDER	01/01/1900	31/12/4999	1
344000900	CFE250	UNTERRAHMEN F.SICHTFENSTER	01/01/1900	31/12/4999	1
518007600	CFF010	ELEKTROPUMPE	01/01/1900	31/12/4999	1
398074500	CFF020	FILTERGEHAEUSE	01/01/1900	26/06/2001	1

&lt;CONTINUE ...&gt;

## Ersatzteilliste

---

**Maschine** 010141015 LBCF NOAU 14C60XC EUROTECH EW1470-1 A 230V 50HZ
 

---

<i>Ersatz.</i>	<i>Pos.Expl.</i>	<i>Beschreib.</i>	<i>Laufzeit</i>		<i>Men</i>
398135100	CFF020	FILTERGEHAEUSE	26/06/2001	31/12/4999	1
398019200	CFF030	FILTEREINSATZ	01/01/1900	31/12/4999	1
402004100	CFF040	DICHTUNGFILTER	01/01/1900	31/12/4999	1
441006000	CFF050	FILTERRING	01/01/1900	31/12/4999	1
350003500	CFF060	FILTERVERSCHLUSS	01/01/1900	31/12/4999	1
402010500	CFF070	KURVE F.ABLAUFBUCHSE	01/01/1900	31/12/4999	1
398013000	CFF080	FILTERANSCHLUSS F.PUMPE	01/01/1900	31/12/4999	1
414012400	CFF090	SCHLAUCHABLAUF	12/07/2000	31/12/4999	1
414004300	CFF090	SCHLAUCHABLAUF	01/01/1900	12/07/2000	1
440000500	CFF100	SHELLE FUR FILTERANSCHLUSS D.PUMPE	01/01/1900	31/12/4999	2
440001700	CFF110	SHELLE FUR ABLAUFBUCHSENKURVE	01/01/1900	31/12/4999	1
432008700	CFF120	SCHRAUBE FUER FILTER- GEHAEUSE	01/01/1900	31/12/4999	2
430009700	CFF130	SCHRAUBE FUER ELEKTROPUMPE	01/01/1900	21/10/1999	2
432009800	CFF130	SCHRAUBE FUER ELEKTROPUMPE	21/10/1999	31/12/4999	2
398019400	CFF140	SCHLAUCHKLEMME F.SCHLAUFE D.ABLAUFSCHLAUCHES	01/01/1900	31/12/4999	1
440000400	CFF150	SHELLE F.ABFLUSSSCHLAUCH	01/01/1900	31/12/4999	1
354006600	CFF170	DRUCKWACHTERKAMMERHALTERUNG	01/01/1900	05/08/1993	1

**Ersatzteilliste**


---

**Maschine**      010141015      LBCF NOAU 14C60XC EUROTECH EW1470-1 A 230V 50HZ
 

---

<i>Ersatzt.</i>	<i>Pos.Expl.</i>	<i>Beschreib.</i>	<i>Laufzeit</i>		<i>Men</i>
354010400	CFF170	DRUCKWACHTERKAMMERHALTERUNG	05/08/1993	31/12/4999	1
432004900	CFF180	DRUCKWACHTERKAMMER-BEFESTIGUNGSSCHRAUBE	01/01/1900	02/02/2004	1
432028400	CFF180	DRUCKWACHTERKAMMER-BEFESTIGUNGSSCHRAUBE	02/02/2004	31/12/4999	1
414005200	CFF190	DRUCKWACHTERROHRE	11/02/1998	31/12/4999	1
414003500	CFF190	DRUCKWACHTERROHRE	01/01/1900	11/02/1998	1
440000100	CFF200	DRUCKWACHTERSCHLAUCHSCHELLE MUFFENSEITE	01/01/1900	31/12/4999	1
432012900	CFG004	BEFESTIGUNGSSCHRAUBE BECKENBODEN	01/01/1900	31/12/4999	12
526011900	CFG005	THERMOWIDERSTAND	01/01/1900	21/12/1999	1
266013300	CFG007	WIDERSTANDS-BEFESTIGUNGSPLATTE	01/01/1900	31/12/4999	1
258002100	CFG010	QUERSTANGE FUER FEDER	01/01/1900	31/12/4999	1
402024500	CFG019	DICHTUNG THERMOWIDERSTAND	01/01/1900	21/12/1999	1
490007600	CFG020	GEGENGEWICHT OBEN	16/05/2002	31/12/4999	1
490005800	CFG020	GEGENGEWICHT OBEN	01/01/1900	16/05/2002	1
430031100	CFG029	FESTSTELLSCHRAUBE RIEMENSCHLEIBE ROHRLEITUNG	01/01/1900	31/12/4999	1
726005100	CFG030	BOTTICH	01/01/1900	16/05/2002	1
726014400	CFG030	BOTTICH	27/08/2003	31/12/4999	1
726014100	CFG030	BOTTICH	16/05/2002	27/08/2003	1

**Ersatzteilliste**


---

**Maschine**      010141015      LBCF NOAU 14C60XC EUROTECH EW1470-1 A 230V 50HZ
 

---

<i>Ersatz.</i>	<i>Pos.Expl.</i>	<i>Beschreib.</i>	<i>Laufzeit</i>		<i>Men</i>
434006500	CFG042	MUTTER F.GEGENGEWICHT OBEN	01/01/1900	31/12/4999	2
436005900	CFG043	U-SCHEIBE F.GEGENGEWICHT OBEN	01/01/1900	31/12/4999	2
526022000	CFG044	FIXES THERMOSTAT MIT TEMPERATURSENSOR	01/01/1900	31/12/4999	1
402017200	CFG060	DICHTUNG FUER BOTTICH	01/01/1900	31/12/4999	1
490001900	CFG080	GEGENGEWICHT UNTEN	01/01/1900	16/05/2002	1
490007700	CFG080	GEGENGEWICHT UNTEN	16/05/2002	31/12/4999	1
512011600	CFG130	MOTOR	01/01/1900	31/12/4999	1
524006200	CFG140	WIDERSTAND	04/07/2006	31/12/4999	1
998003301	CFG140	WIDERSTAND	01/01/1900	04/07/2006	1
268087100	CFG160	RIEMENSCHLEIBE ANTRIEB	13/11/2002	31/12/4999	1
268002000	CFG160	RIEMENSCHLEIBE ANTRIEB	01/01/1900	13/11/2002	1
416002800	CFG170	TREIBRIEMEN	01/01/1900	31/12/4999	1
444011700	CFG200	AUFHAENGEFEDER BOTTICH	01/01/1900	31/12/4999	2
434000300	CFG210	SCHEIBENMUTTER	01/01/1900	10/06/2007	1
750000100	CFG240	DICHTUNGSRING	01/01/1900	04/01/2005	0
750267700	CFG240	DICHTUNGSRING	04/01/2005	31/12/4999	1
434002100	CFG290	MUTTER F.GEGENGEWICHT	01/01/1900	31/12/4999	3

&lt;CONTINUE ...&gt;

**Ersatzteilliste**


---

**Maschine**      010141015      LBCF NOAU 14C60XC EUROTECH EW1470-1 A 230V 50HZ
 

---

<i>Ersatzt.</i>	<i>Pos.Expl.</i>	<i>Beschreib.</i>	<i>Laufzeit</i>		<i>Men</i>
436001700	CFG300	U-SCHEIBE F.GEGENGEWICHT	01/01/1900	31/12/4999	3
398010900	CFG310	EINSATZSTUECK FUER GEGENGEWICHT	01/01/1900	12/10/2000	3
398079200	CFG310	EINSATZSTUECK FUER GEGENGEWICHT	12/10/2000	31/12/4999	3
430007100	CFG320	SCHRAUBE FUER GEGENGEWICHT OBEN	01/01/1900	16/05/2002	2
430016400	CFG380	SCHRAUBE FUER MOTOR	01/01/1900	01/10/2002	4
430026800	CFG380	SCHRAUBE FUER MOTOR	01/10/2002	31/12/4999	4
436000600	CFG390	U-SCHEIBE FUER MOTOR	01/01/1900	31/12/4999	4
441008900	CFG400	MOTORBUCHSE	01/01/1900	31/12/4999	4
434002100	CFG410	MUTTER FUER MOTOR	01/01/1900	31/12/4999	4
499003600	CFG430	FEDERRING	01/01/1900	31/12/4999	2
432028100	CFG440	F.FEDERQUERSTUCK	02/02/2004	31/12/4999	4
432004600	CFG440	F.FEDERQUERSTUCK	01/01/1900	02/02/2004	4
430007200	CFG450	SCHRAUBE FUER GEGENGEWICHT UNTEN	01/01/1900	31/12/4999	3
720090100	CFG530	FLANSCH + TROMMEL-SET	01/01/1900	07/01/2002	1
720344000	CFG530	FLANSCH + TROMMEL-SET	07/01/2002	10/06/2007	1
720593100	CFG530	FLANSCH + TROMMEL-SET	10/06/2007	31/12/4999	1
428004600	CFG540	MOTORBEFESTIGUNGSDISTANZSTUCK	01/01/1900	31/12/4999	4

&lt;CONTINUE ...&gt;

**Ersatzteilliste**


---

**Maschine**      010141015      LBCF NOAU 14C60XC EUROTECH EW1470-1 A 230V 50HZ
 

---

<i>Ersatzt.</i>	<i>Pos.Expl.</i>	<i>Beschreib.</i>	<i>Laufzeit</i>		<i>Men</i>
718013000	CFG550	SET BODEN+LAGER	04/01/2005	31/12/4999	1
718002900	CFG550	SET BODEN+LAGER	01/01/1900	21/12/1999	1
718008200	CFG550	SET BODEN+LAGER	21/12/1999	04/01/2005	1
526001302	CFG560	THERMOSTAT FIX	01/01/1900	21/12/1999	1
402008800	CFG570	DICHTUNG FUER THERMOSTAT	01/01/1900	31/12/4999	1
436001300	CFG580	UNTERLEGSCHIEBE F.RIEMENSCHIEBE	01/01/1900	10/06/2007	1
266005900	CFG590	HALTERUNGSPLETTCHEN F.GEGENGEWICHT	01/01/1900	04/10/1999	2
402006400	CFG600	DICHTUNG F.BEFESTIGUNG D.GEGENGEWICHT-SCHRAUBE	01/01/1900	04/10/1999	2
402032500	CFG600	DICHTUNG F.BEFESTIGUNG D.GEGENGEWICHT-SCHRAUBE	04/10/1999	31/12/4999	2
430011700	CFG620	MOTOR-ERDUNGSSCHRAUBE	01/01/1900	31/12/4999	1
436000100	CFG630	U-SCHIEBE F.MOTOR-U.BOTTICHERDUNG	01/01/1900	29/03/2005	1
436001200	CFG630	U-SCHIEBE F.MOTOR-U.BOTTICHERDUNG	29/03/2005	31/12/4999	1
432004700	CFG660	ERDUNGSSCHRAUBE F.BOTTICHBODEN	01/01/1900	21/12/1999	2
750000500	CFG670	LAGEREINHEIT	01/01/1900	04/01/2005	0
750267800	CFG670	LAGEREINHEIT	04/01/2005	31/12/4999	1
402000900	CFG680	PFEIFEN-DRUCKWACHTER-VERSCHLUBSTOPFEN	01/01/1900	31/12/4999	1
499003200	CFG690	SCHWINGUNGSDAEPFER	01/01/1900	31/12/4999	2

&lt;CONTINUE ...&gt;



**Ersatzteilliste**


---

**Maschine**      010141015      LBCF NOAU 14C60XC EUROTECH EW1470-1 A 230V 50HZ
 

---

<i>Ersatz.</i>	<i>Pos.Expl.</i>	<i>Beschreib.</i>	<i>Laufzeit</i>		<i>Men</i>
434003100	CFG710	BEFESTIGUNGSMUTTER SCHWINGUNGSDAEMPFER	01/01/1900	31/12/4999	4
430013800	CFG720	BEFESTIGUNGSSCHRAUBE SCHWINGUNGSDAEMPFER	01/01/1900	31/12/4999	4
432007500	CFZ010	SCHRAUBE F.VERPACKUNG	01/01/1900	31/12/4999	4
436000400	CFZ020	U-SCHEIBE F.SCHRAUBE D.VERPACKUNG	01/01/1900	31/12/4999	4
470006200	CFZ030	GUMMI-VERPACKUNGSSTOPFEN	01/01/1900	31/12/4999	4
470004600	CFZ040	DISTANZSTUCK AUS KUNSTSTOFF F.VERPACKUNG	01/01/1900	31/12/4999	4
434000600	CFZ120	ERDUNGSMUTTER FUER BOTTICH	01/01/1900	31/12/4999	1
504000400	CFZ150	KLEMMENBRETT-FASTONFAHNE F. ZULEITUNGSKABEL	01/01/1900	13/04/2000	2
434002400	CFZ260	VIERKANT-MESSINGMUTTER FUER KLEMMENBRETT	01/01/1900	13/04/2000	2
430010700	CFZ270	KLEMMENBRETTSCHRAUBE F. ZULEITUNGSKABEL	01/01/1900	13/04/2000	2
470038300	CFZ280	UNTERE VERPACKUNGS-UMHUELLUNG	14/03/2001	16/05/2002	1
470038000	CFZ280	UNTERE VERPACKUNGS-UMHUELLUNG	16/05/2002	31/12/4999	1
470018100	CFZ280	UNTERE VERPACKUNGS-UMHUELLUNG	01/01/1900	14/03/2001	1
470013600	CFZ290	OBERE VERPACKUNGS-UMHUELLUNG	01/01/1900	31/12/4999	1
476009000	CFZ300	VORDERES WINKELPROFIL RECHTS-LINKS	01/01/1900	31/12/4999	2
476009100	CFZ310	HINTERES WINKELPROFIL RECHTS-LINKS	01/01/1900	31/12/4999	2
461302916	CFZ330	GEBRAUCHSANWEISUNG	01/01/1900	31/12/4999	1

**Ersatzteilliste**


---

**Maschine**      010141015      LBCF NOAU 14C60XC EUROTECH EW1470-1 A 230V 50HZ
 

---

<i>Ersatzt.</i>	<i>Pos.Expl.</i>	<i>Beschreib.</i>	<i>Laufzeit</i>		<i>Men</i>
466000003	LVD003	DOKUMENT AENDERUNG WANNE+GEGENGEWICHTE	01/01/1900	31/12/4999	1
466000016	LVD008	DOKUMENT TECHNISCHE INFORMATION MAGNETISCHE ENTKALKER	01/01/1900	31/12/4999	1
466000017	LVD009	DOKUMENT AUSTAUSCH TUERVERRIEGELUNG+PLATTE	01/01/1900	31/12/4999	1
466000019	LVD010	DOKUMENT AUSTAUSCH WANNE MIT ZULAUF UNTEN	01/01/1900	31/12/4999	1
466000025	LVD015	DOKUMENT AUSTAUSCH TIMER NO PUSH-PULL	01/01/1900	31/12/4999	1
466000039	LVD027	DOKUMENT INFORMATION FLANSCH + TROMMEL	01/01/1900	31/12/4999	1
466000049	LVD034	WARTUNGSHANDBUCH FUER MECHAN GERAETE	01/01/1900	31/12/4999	1
750187200	LVK076	KIT AUSTAUSCH WANNE MIT ZULAUF UNTEN	01/01/1900	31/12/4999	1
460604140	LVZ000	ELEKTRISCHER SCHALTPLAN	02/11/1999	21/12/1999	1
460604140	LVZ000	ELEKTRISCHER SCHALTPLAN	25/05/2000	31/12/4999	1
460603043	LVZ000	ELEKTRISCHER SCHALTPLAN	01/01/1900	02/11/1999	1
460603043	LVZ000	ELEKTRISCHER SCHALTPLAN	21/12/1999	25/05/2000	1